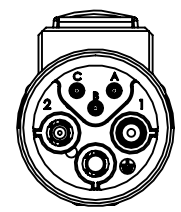
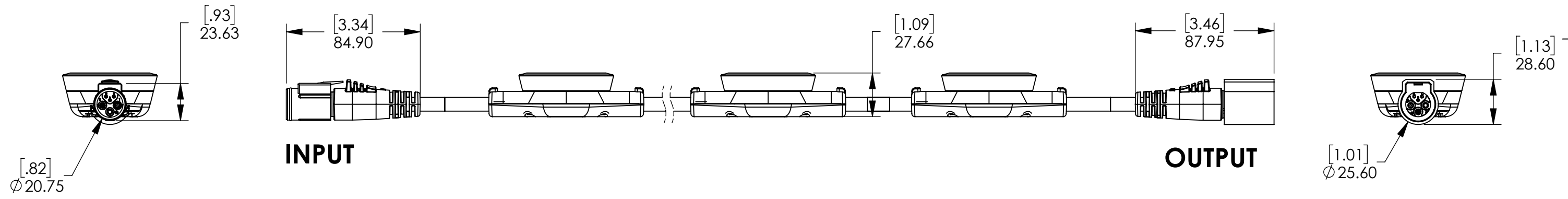
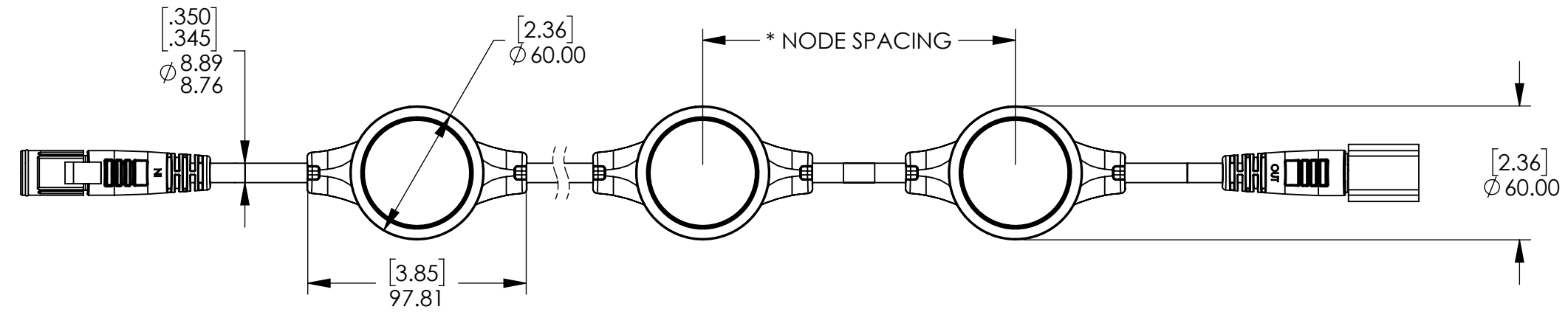
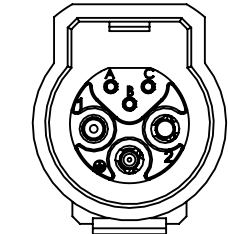


REVISIONS				
REV.	ECO	DESCRIPTION	DATE	APPROVED
00	011891	INITIAL RELEASE	06/20/2018	K.PISUPATI
01	011984	ADDED TERMINATOR, CABLE DIAMETER, DISTANCE BETWEEN MATED CONNECTORS	8/8/2018	K.PISUPATI
02	012196	ADDED DOME AND TRIM RING & REMOVE PIN CALL OUT	11/16/2018	K.PISUPATI



**INPUT**



**OUTPUT**

**PROPRIETARY AND CONFIDENTIAL**  
 THE INFORMATION CONTAINED IN THIS DRAWING IS THE SOLE PROPERTY OF COLOR KINETICS, INC. ANY REPRODUCTION IN PART OR AS A WHOLE WITHOUT THE WRITTEN PERMISSION OF COLOR KINETICS, INC. IS PROHIBITED.

**COLOR KINETICS**  
 www.colorkinetics.com  
 3 Burlington Woods Dr. Burlington MA 01803 USA  
 Tel: 888-385-5742 Fax: 617-338-0454

MATERIAL	<b>SEE NOTES</b>
FINISH	<b>SEE NOTES</b>
DRAWN	DATE
CHECKED	DATE
	<b>2016-11-02</b>

- UNLESS OTHERWISE SPECIFIED -  
 DIMENSIONS ARE IN MILLIMETERS  
 INTERPRET GEOMETRIC TOLERANCING PER: ANSI Y14.5M

**TOLERANCES:**  
 ANGLE ± 1°  
 DECIMAL  
 .X ±0.5 mm  
 .XX ±0.25 mm  
 .XXX ±0.125 mm

THIRD ANGLE PROJECTION

DESCRIPTION  
**PRODUCT DOCUMENT DRAWING, FLEXELITE**

SIZE <b>B</b>	DWG. NO. <b>PDD-000134-00</b>	REV <b>02</b>
FILE NAME <b>ASY-002260-XX</b>	DO NOT SCALE DRAWING	SHEET 1 OF 8
SCALE <b>1:2.5</b>		

8

7

6

5

4

3

2

1

PROPRIETARY AND CONFIDENTIAL

THE INFORMATION CONTAINED IN THIS DRAWING IS THE SOLE PROPERTY OF COLOR KINETICS, INC. ANY REPRODUCTION IN PART OR AS A WHOLE WITHOUT THE WRITTEN PERMISSION OF COLOR KINETICS, INC. IS PROHIBITED.

D

D

C

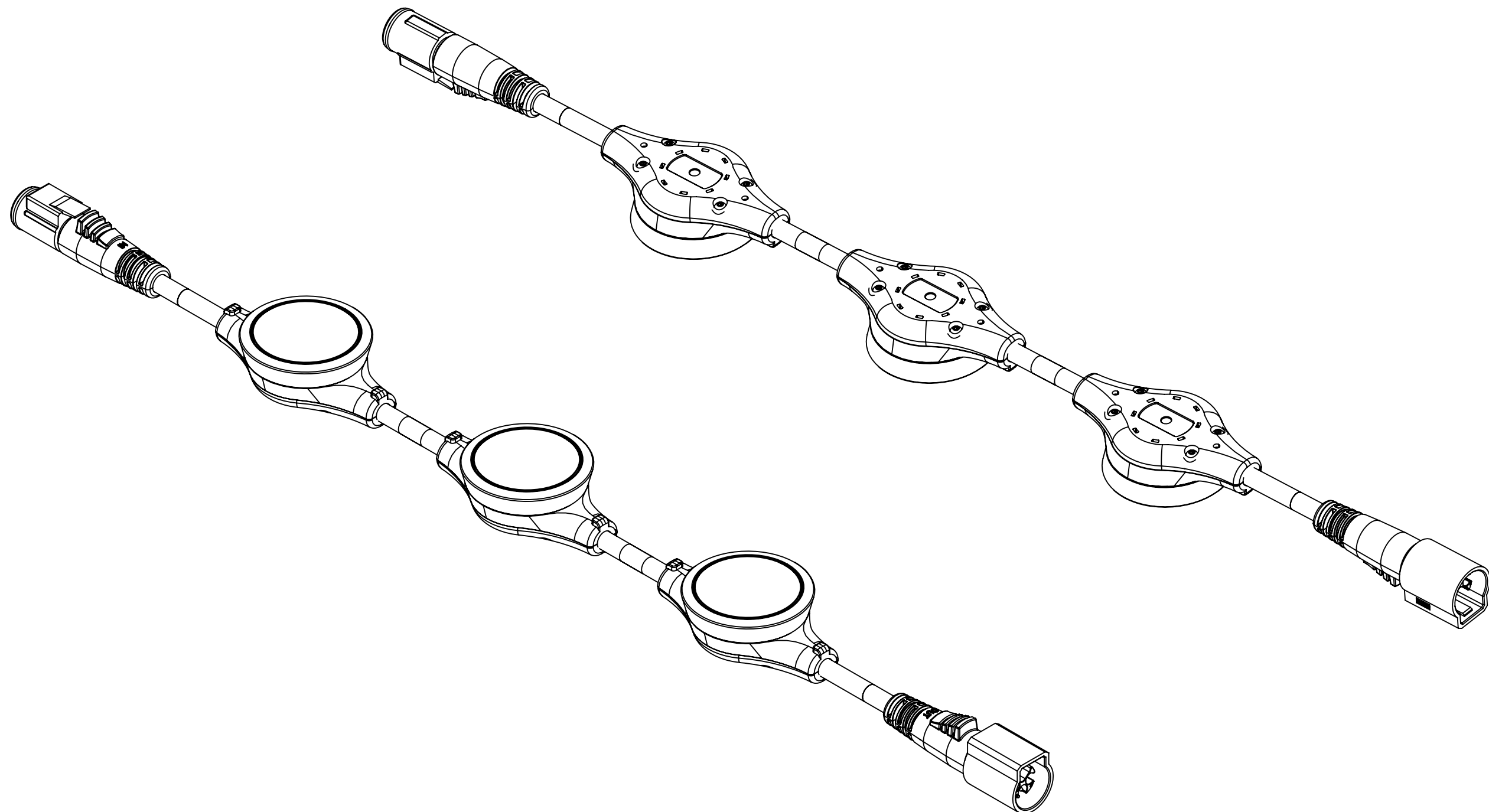
C

B

B

A

A



DESCRIPTION  
**PRODUCT DOCUMENT DRAWING,  
 FLEXELITE**

SIZE	DWG. NO.	REV
<b>B</b>	<b>PDD-000134-00</b>	<b>02</b>

FILE NAME: **ASY-002260-XX** DO NOT SCALE DRAWING SCALE: **1:2** SHEET **2** OF **8**

8

7

6

5

4

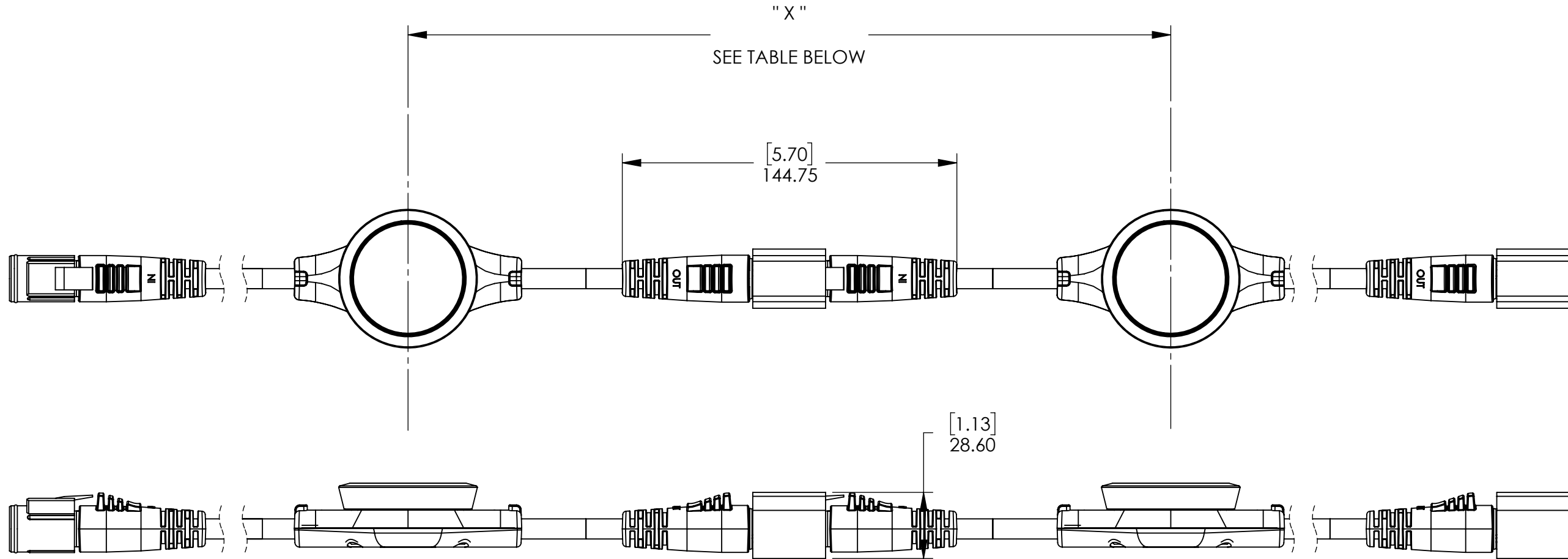
3

2

1

PROPRIETARY AND CONFIDENTIAL

THE INFORMATION CONTAINED IN THIS DRAWING IS THE SOLE PROPERTY OF COLOR KINETICS, INC. ANY REPRODUCTION IN PART OR AS A WHOLE WITHOUT THE WRITTEN PERMISSION OF COLOR KINETICS, INC. IS PROHIBITED.



LAST NODE IN SEGMENT TO FIRST FIRST NODE IN SEGMENT		
NODE to NODE SPACING IN SEGMENT	No. of NODES	X
--	1	457.20 [18.00]
152 mm (6 in)	n	1019.60 [40.14]
305 mm (12 in)	n	819.60 [32.27]
"O.C" ≥ 400 mm (15 <sup>3</sup> / <sub>4</sub> in)	n	O.C



DESCRIPTION  
**PRODUCT DOCUMENT DRAWING,  
 FLEXELITE**

SIZE	DWG. NO.	REV
<b>B</b>	<b>PDD-000134-00</b>	<b>02</b>

FILE NAME: **ASY-002260-XX** DO NOT SCALE DRAWING SCALE: **1:10** SHEET **3 OF 8**

PROPRIETARY AND CONFIDENTIAL

THE INFORMATION CONTAINED IN THIS DRAWING IS THE SOLE PROPERTY OF COLOR KINETICS, INC. ANY REPRODUCTION IN PART OR AS A WHOLE WITHOUT THE WRITTEN PERMISSION OF COLOR KINETICS, INC. IS PROHIBITED.

[.18]  
Ø 4.50  
THROUGH HOLE

[.41]  
Ø 10.30

[3.70]  
93.87

[.98]  
24.95

[.24]  
6.00 MAXIMUM HEAD HEIGHT OF  
SCREW (INCLUDING WASHER)

[.22]  
5.70

SECTION A-A

[.22]  
5.49  
MAXIMUM WIDTH OF ZIP TIE

[2.18]  
Ø 55.36

[1.37]  
Ø 34.83

[1.40]  
35.66

SINGLE NODE MOUNT

NODE MOUNTED IN NODE HOLDER

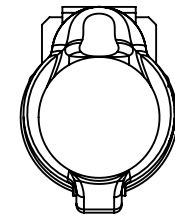


DESCRIPTION  
PRODUCT DOCUMENT DRAWING,  
FLEXELITE

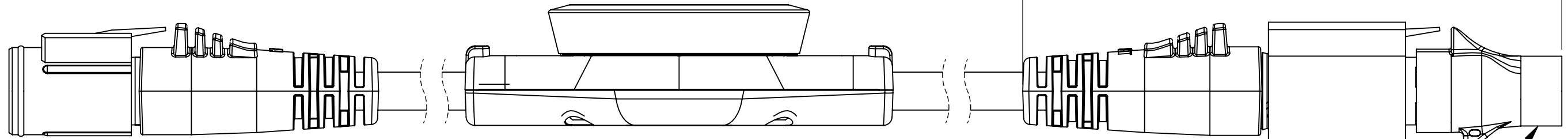
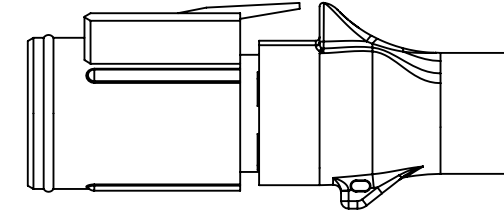
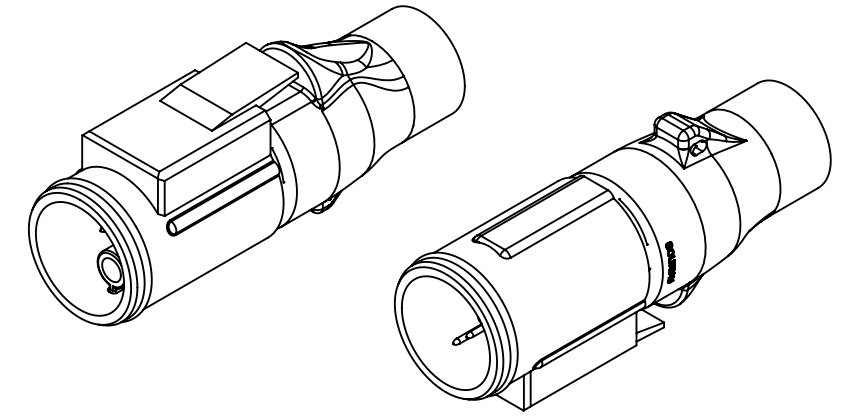
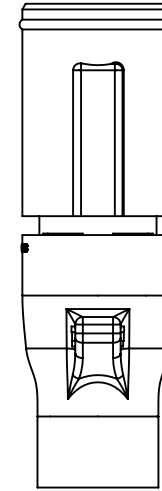
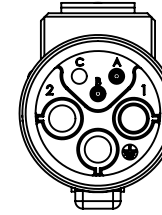
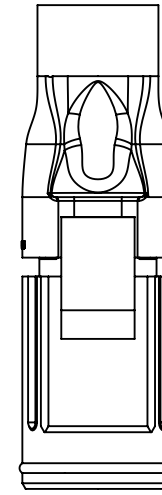
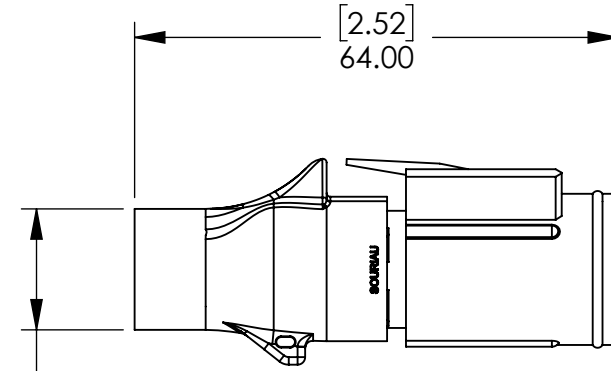
SIZE	DWG. NO.	REV
<b>B</b>	<b>PDD-000134-00</b>	<b>02</b>
FILE NAME	DO NOT SCALE DRAWING	
MEC-003016-XX	SCALE 3:4	SHEET 4 OF 8

PROPRIETARY AND CONFIDENTIAL

THE INFORMATION CONTAINED IN THIS DRAWING IS THE SOLE PROPERTY OF COLOR KINETICS, INC. ANY REPRODUCTION IN PART OR AS A WHOLE WITHOUT THE WRITTEN PERMISSION OF COLOR KINETICS, INC. IS PROHIBITED.



[.63]  
Ø16.00



TERMINATOR INSTALLED AT END OF RUN

TERMINATOR



DESCRIPTION  
PRODUCT DOCUMENT DRAWING,  
FLEXELITE

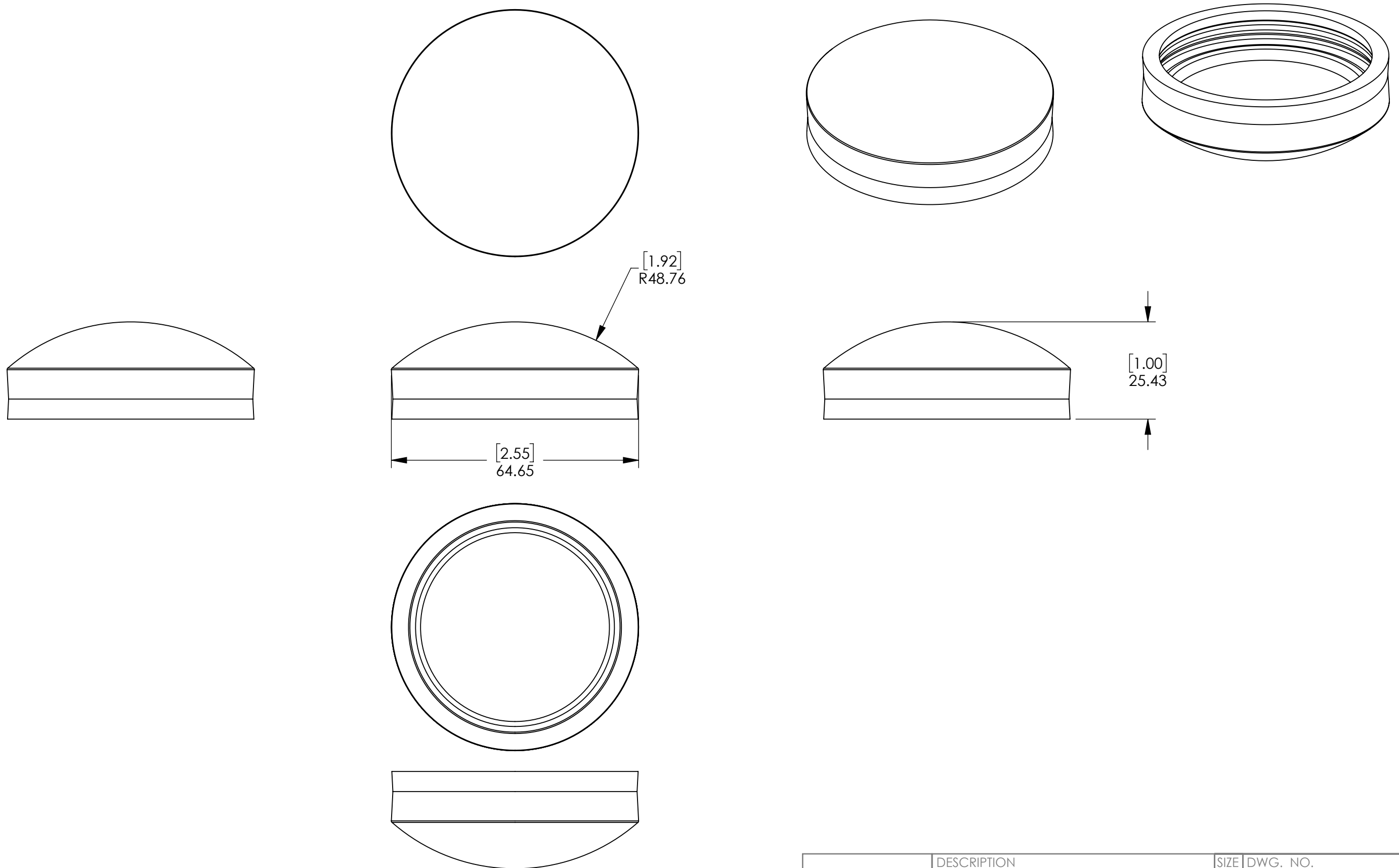
SIZE DWG. NO.  
**B** PDD-000134-00

REV  
**02**

FILE NAME DO NOT SCALE DRAWING  
CON-001054-00 SCALE 1:1 SHEET 5 OF 8

PROPRIETARY AND CONFIDENTIAL

THE INFORMATION CONTAINED IN THIS DRAWING IS THE SOLE PROPERTY OF COLOR KINETICS, INC. ANY REPRODUCTION IN PART OR AS A WHOLE WITHOUT THE WRITTEN PERMISSION OF COLOR KINETICS, INC. IS PROHIBITED.



**DOMELENS**

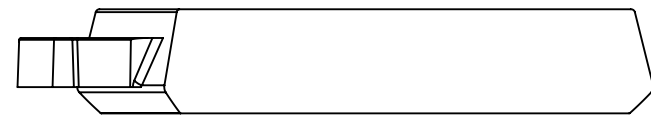
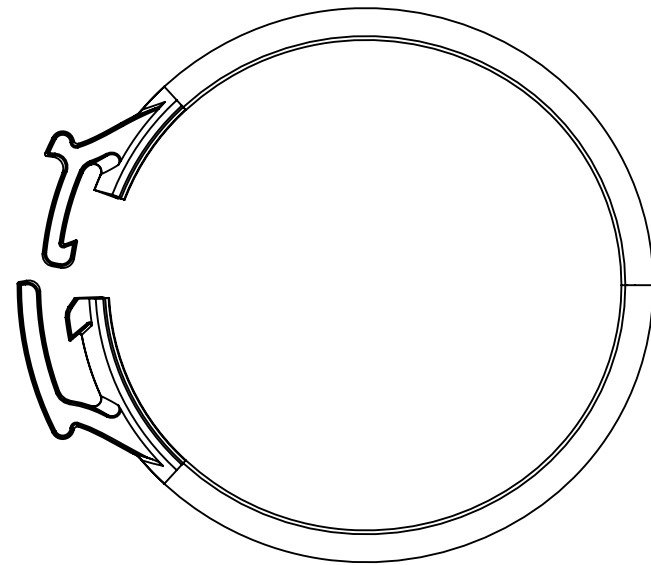
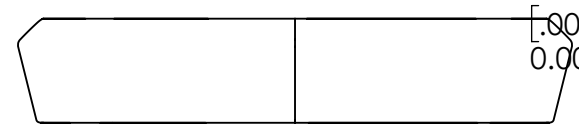
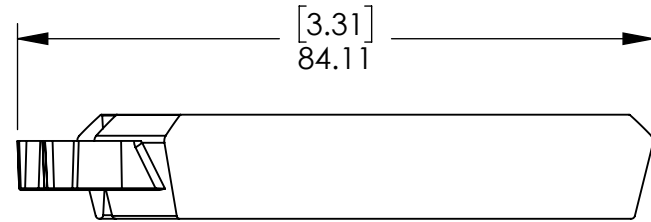
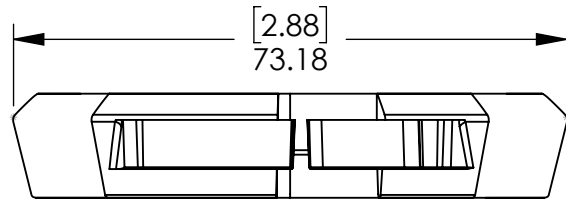
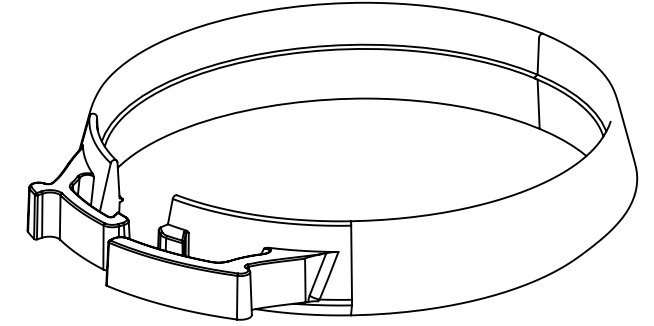
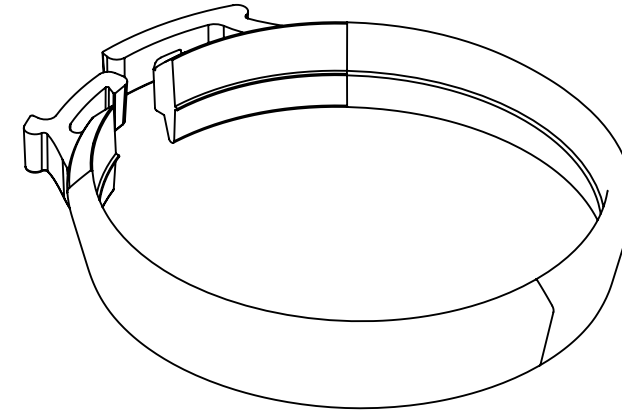
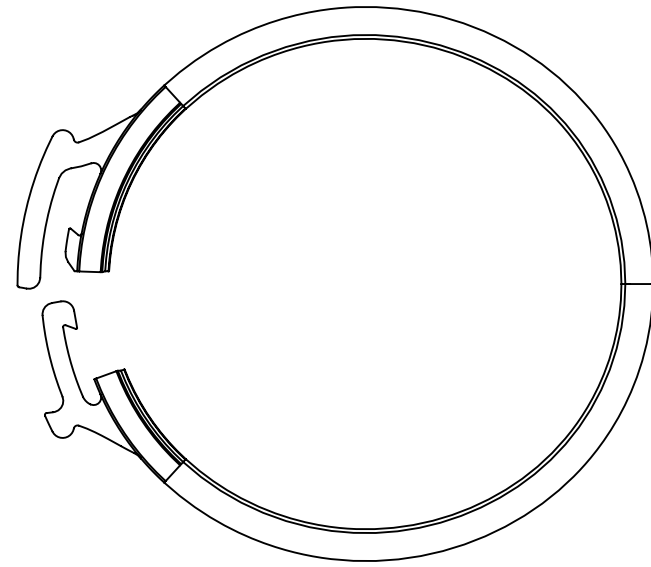


DESCRIPTION  
**PRODUCT DOCUMENT DRAWING,  
FLEXELITE**

SIZE	DWG. NO.	REV
<b>B</b>	<b>PDD-000134-00</b>	<b>02</b>
FILE NAME	DO NOT SCALE DRAWING	SHEET 6 OF 8
MEC-003112-00	SCALE 1:1	

PROPRIETARY AND CONFIDENTIAL

THE INFORMATION CONTAINED IN THIS DRAWING IS THE SOLE PROPERTY OF COLOR KINETICS, INC. ANY REPRODUCTION IN PART OR AS A WHOLE WITHOUT THE WRITTEN PERMISSION OF COLOR KINETICS, INC. IS PROHIBITED.



TRIM RING



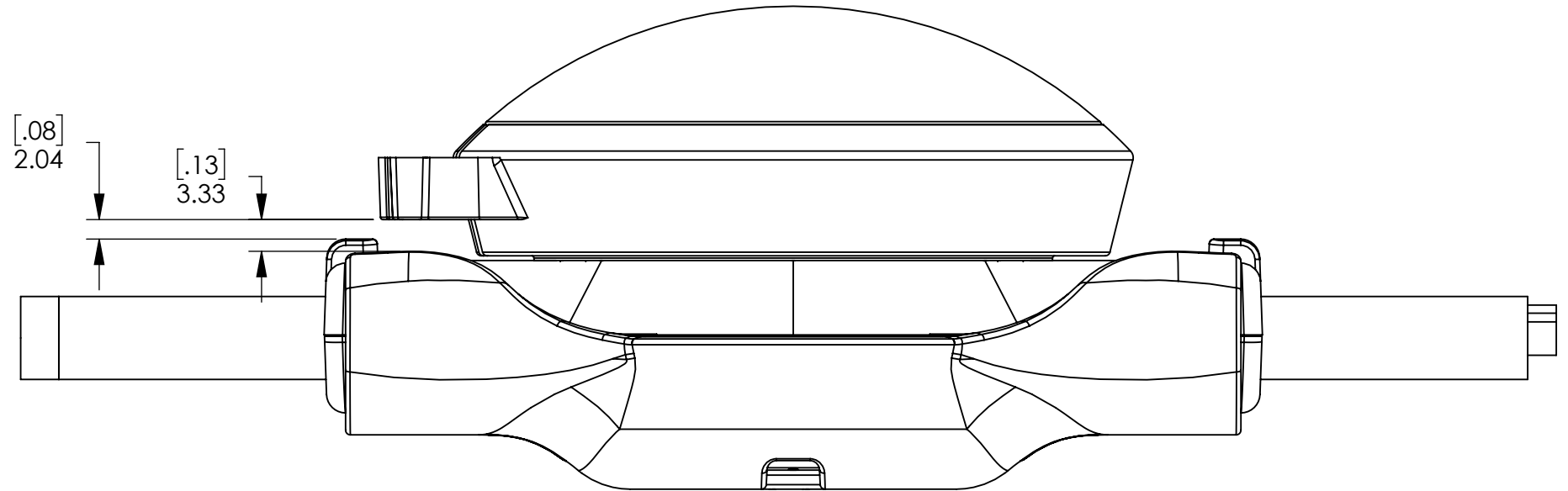
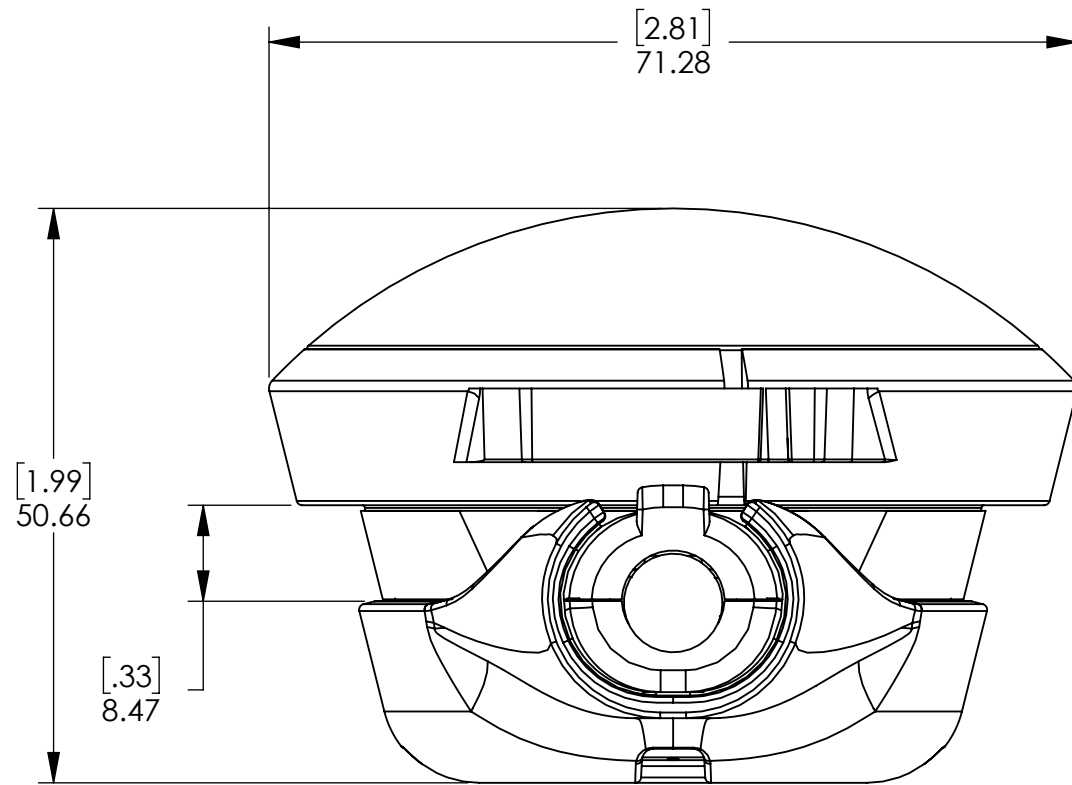
DESCRIPTION  
PRODUCT DOCUMENT DRAWING,  
FLEXELITE

SIZE	DWG. NO.	REV
<b>B</b>	<b>PDD-000134-00</b>	<b>02</b>

FILE NAME: MEC-003113-XX DO NOT SCALE DRAWING SCALE 1:1 SHEET 7 OF 8

PROPRIETARY AND CONFIDENTIAL

THE INFORMATION CONTAINED IN THIS DRAWING IS THE SOLE PROPERTY OF COLOR KINETICS, INC. ANY REPRODUCTION IN PART OR AS A WHOLE WITHOUT THE WRITTEN PERMISSION OF COLOR KINETICS, INC. IS PROHIBITED.



**NODE WITH DOME LENS AND TRIM RING MOUNTED IN NODE HOLDER**



DESCRIPTION  
**PRODUCT DOCUMENT DRAWING,  
FLEXELITE**

SIZE	DWG. NO.	REV
<b>B</b>	<b>PDD-000134-00</b>	<b>02</b>

FILE NAME	DO NOT SCALE DRAWING	SHEET 8 OF 8
<b>PDD-000134-00</b>	SCALE <b>3:2</b>	