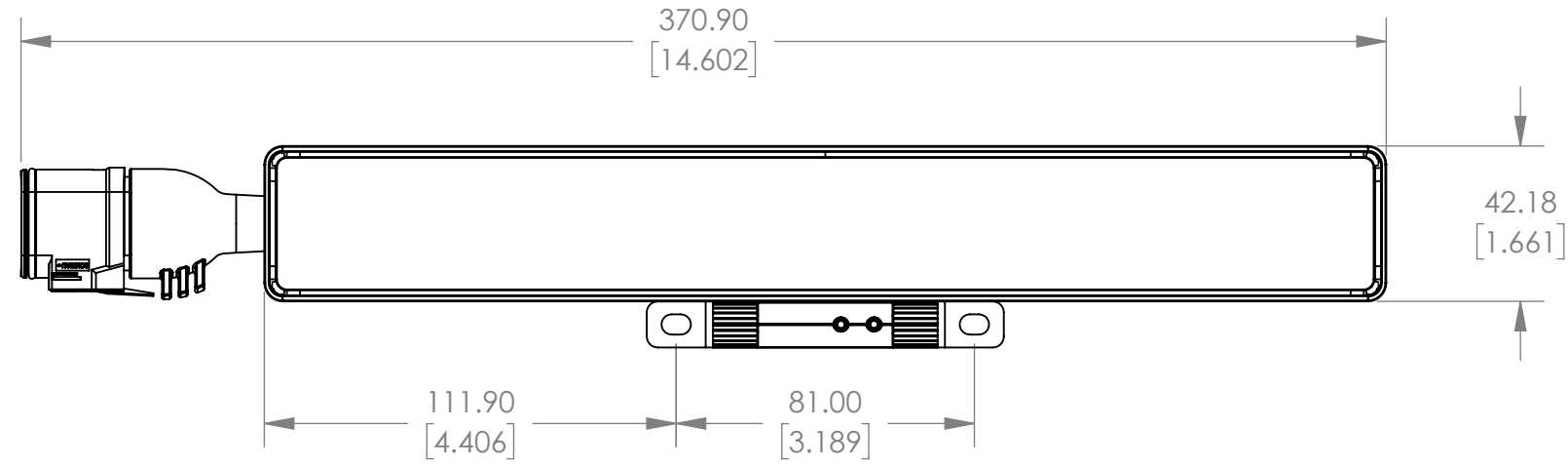
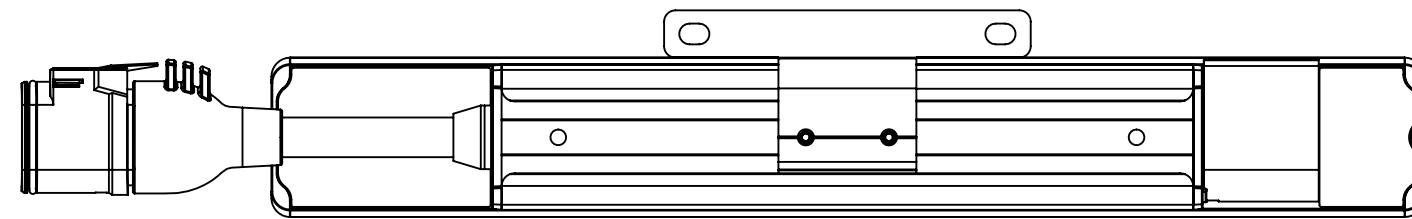
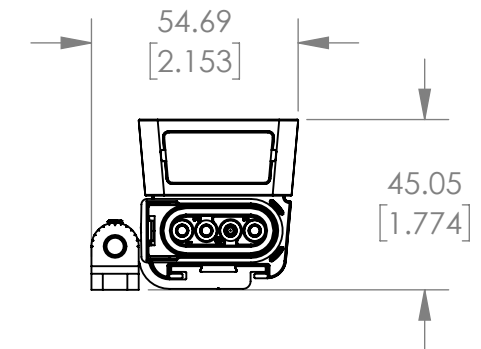
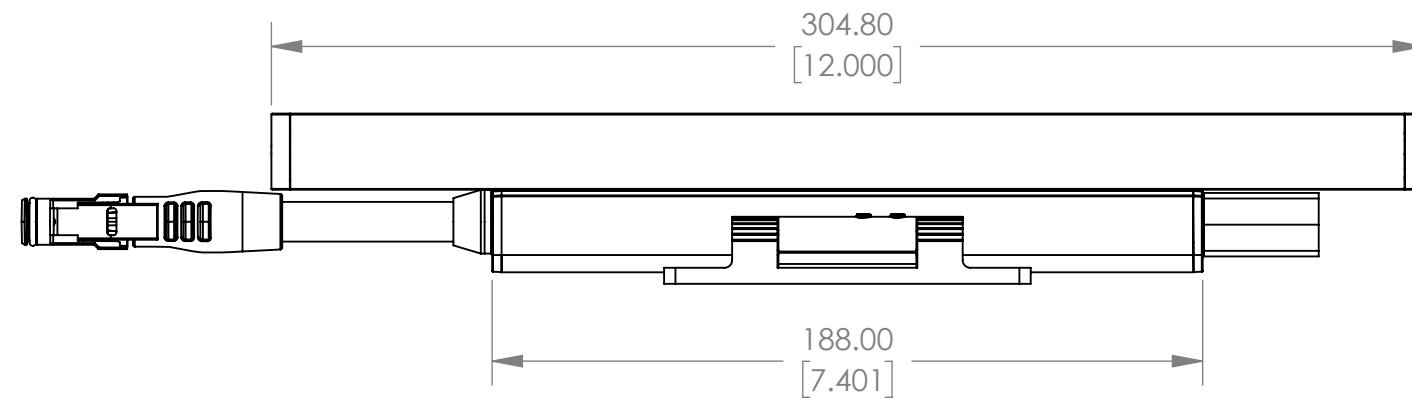
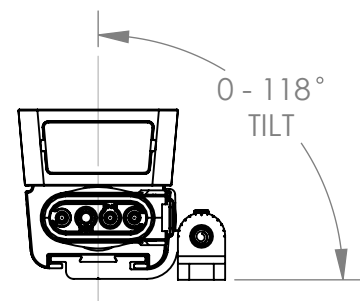


REVISIONS					
ZONE	REV.	ECO	DESCRIPTION	DATE	APPROVED
	00	012598	INITIAL RELEASE	08/19/2019	WTD



\*MOUNTING HINGE  
PREFERRED LOCATION SHOWN



© Signify Holding. All rights reserved. Specifications are subject to change without notice. No representation or warranty as to the accuracy or completeness of the information included herein is given and any liability for any action in reliance thereon is disclaimed. All trademarks are owned by Signify Holding or their respective owners.

**COLORKINETICS**  
www.colorkinetics.com  
3 Burlington Woods Dr. Burlington MA 01803 USA  
Tel: 888-385-5742 Fax: 617-338-0454

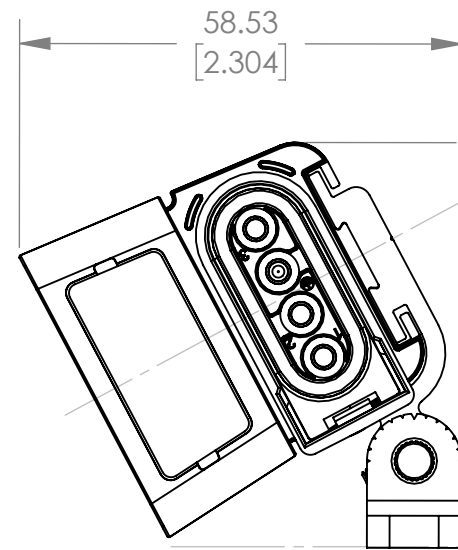
MATERIAL  
FINISH  
DRAWN DATE  
CHECKED DATE

- UNLESS OTHERWISE SPECIFIED -  
DIMENSIONS ARE IN MILLIMETERS  
INTERPRET GEOMETRIC TOLERANCING PER: ANSI Y14.5M  
ANGLE ± 1°  
TOLERANCES:  
DECIMAL  
.X ±0.5 mm  
.XX ±0.25 mm  
.XXX ±0.125 mm  
THIRD ANGLE PROJECTION

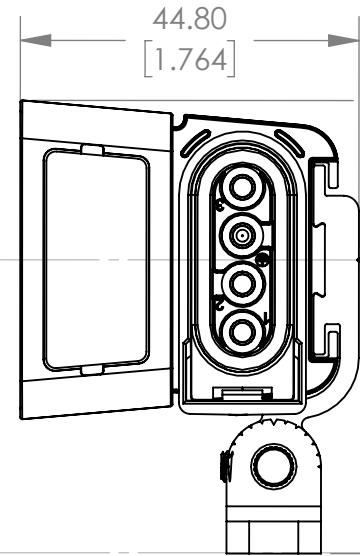
DESCRIPTION  
**PRODUCT DOCUMENT DRAWING, GRAZE  
COMPACT, 1FT**

SIZE <b>B</b>	DWG. NO. <b>PDD-000153-00</b>	REV <b>00</b>
FILE NAME	DO NOT SCALE DRAWING	SHEET 1 OF 4
SCALE <b>1:2</b>		

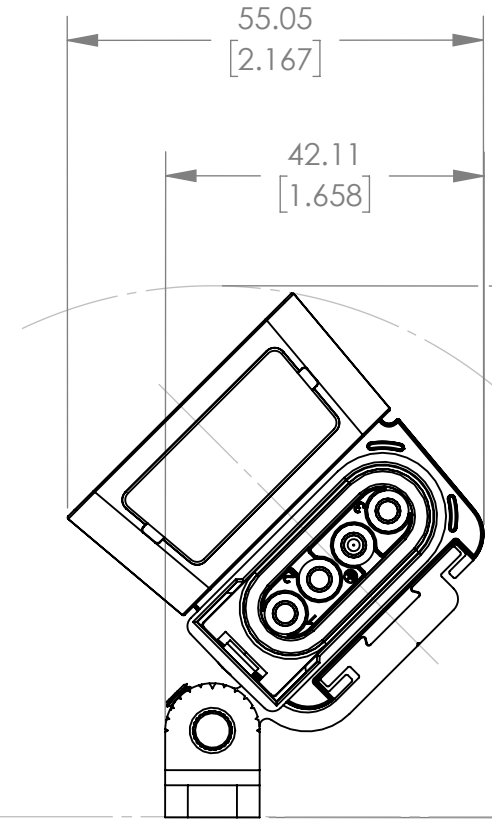
© Signify Holding. All rights reserved. Specifications are subject to change without notice. No representation or warranty as to the accuracy or completeness of the information included herein is given and any liability for any action in reliance thereon is disclaimed. All trademarks are owned by Signify Holding or their respective owners.



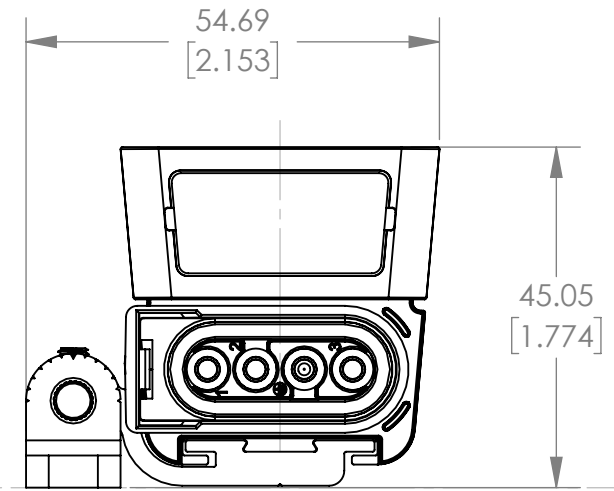
**118° ROTATION**



**90° ROTATION**



**45° ROTATION**



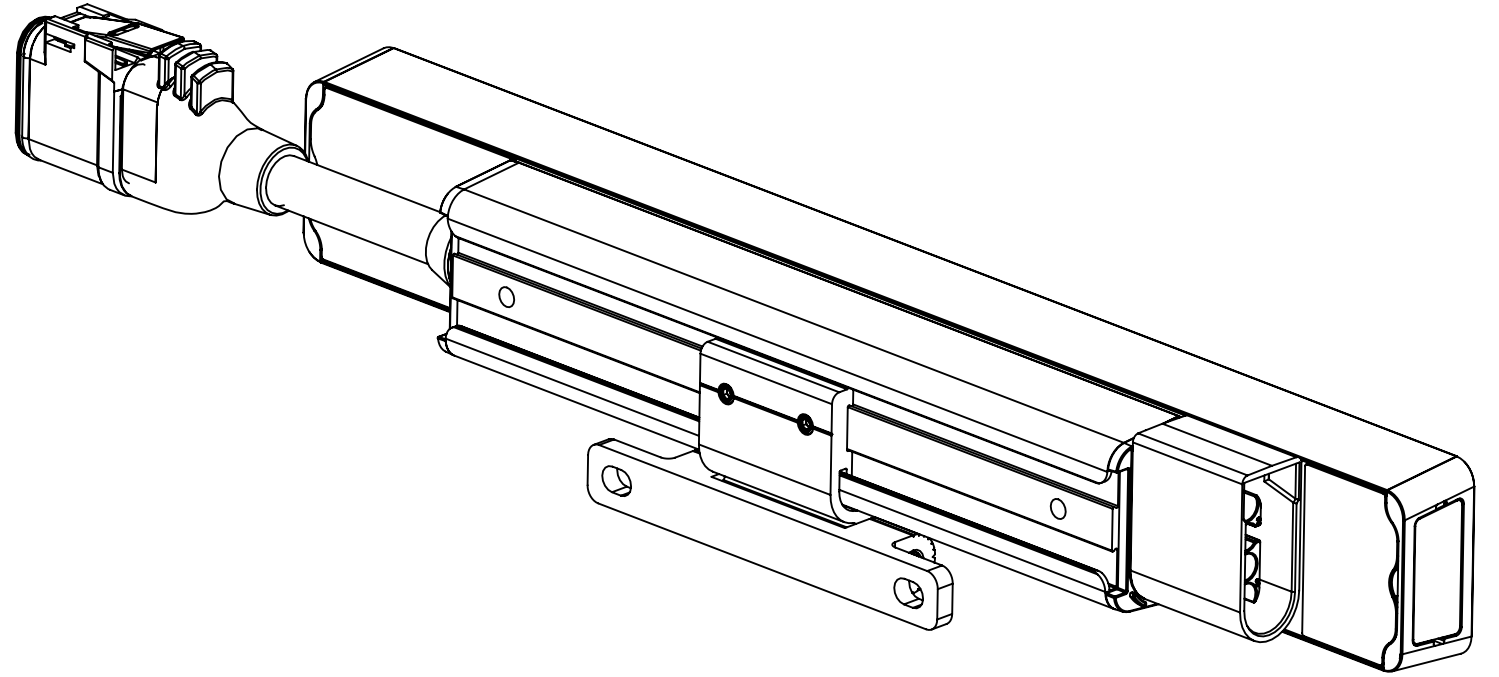
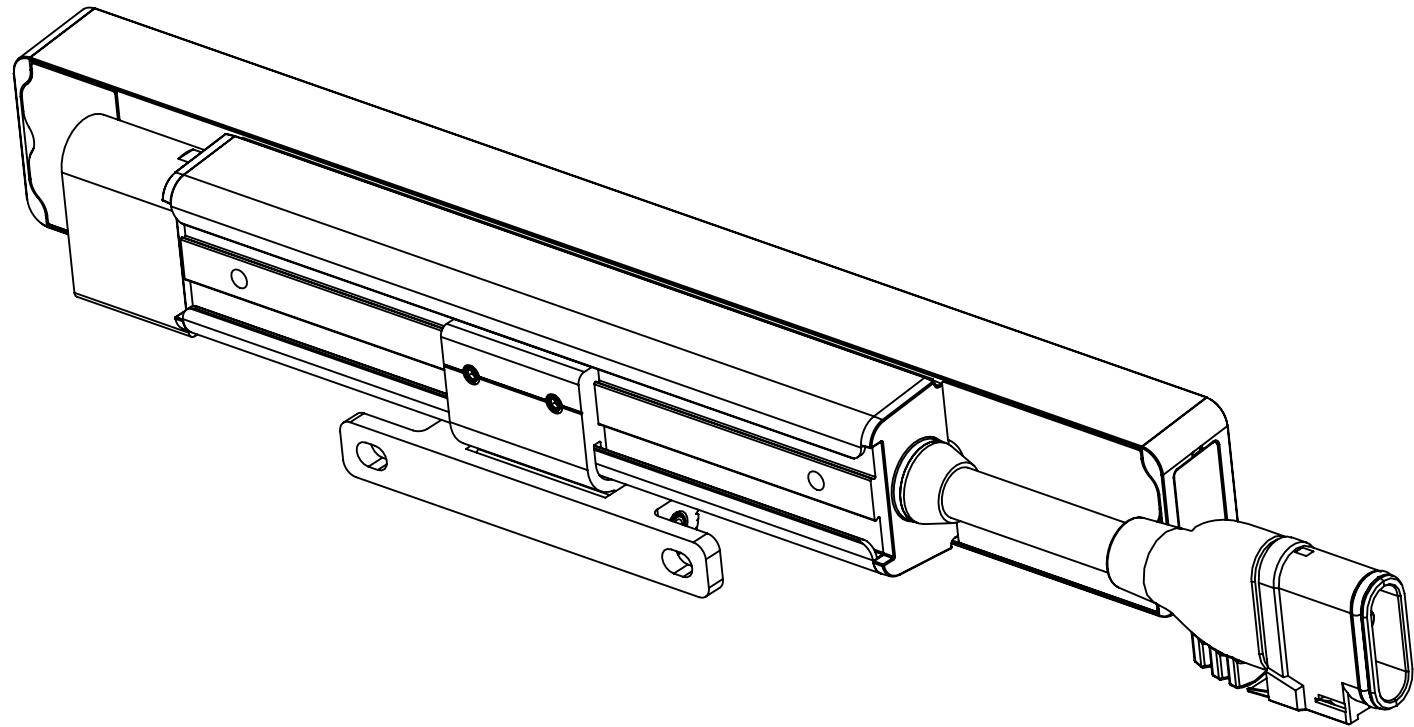
**0° ROTATION**



DESCRIPTION  
**PRODUCT DOCUMENT**  
**DRAWING, GRAZE**  
**COMPACT, 1FT**

SIZE	DWG. NO.	REV
<b>B</b>	<b>PDD-000153-00</b>	<b>00</b>
FILE NAME	DO NOT SCALE DRAWING	SHEET 2 OF 4
	SCALE 1:2	

© Signify Holding. All rights reserved. Specifications are subject to change without notice. No representation or warranty as to the accuracy or completeness of the information included herein is given and any liability for any action in reliance thereon is disclaimed. All trademarks are owned by Signify Holding or their respective owners.



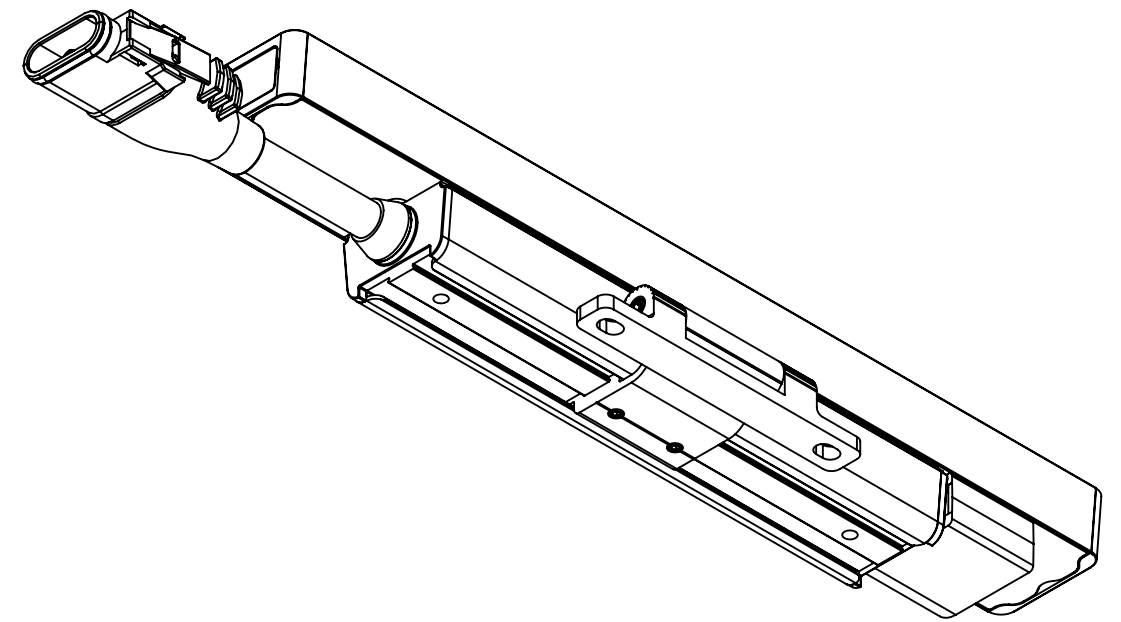
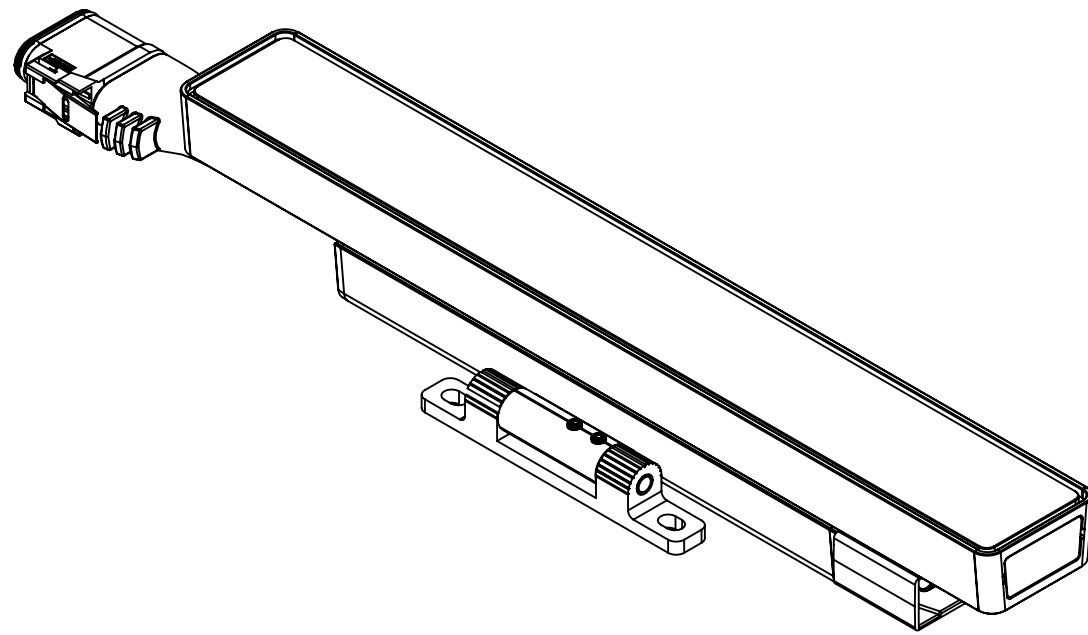
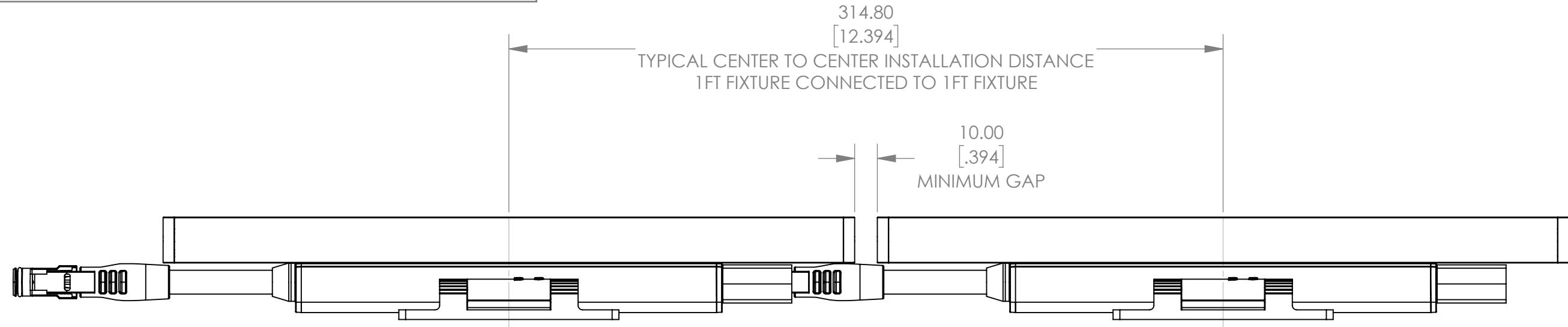
**PIVOT DIRECTION RELATIVE TO POWER INPUT CAN BE FLIPPED 180° IN THE FIELD.**



DESCRIPTION  
**PRODUCT DOCUMENT  
DRAWING, GRAZE  
COMPACT, 1FT**

SIZE	DWG. NO.	REV
<b>B</b>	<b>PDD-000153-00</b>	<b>00</b>
FILE NAME	DO NOT SCALE DRAWING	SCALE 1:2 SHEET 3 OF 4

© Signify Holding. All rights reserved. Specifications are subject to change without notice. No representation or warranty as to the accuracy or completeness of the information included herein is given and any liability for any action in reliance thereon is disclaimed. All trademarks are owned by Signify Holding or their respective owners.



	DESCRIPTION	SIZE	DWG. NO.	REV
	<b>PRODUCT DOCUMENT DRAWING, GRAZE COMPACT, 1FT</b>	<b>B</b>	<b>PDD-000153-00</b>	<b>00</b>
DO NOT SCALE DRAWING		SCALE 1:2		SHEET 4 OF 4