

Date: \_\_\_\_\_  
Type: \_\_\_\_\_  
Firm Name: \_\_\_\_\_  
Project: \_\_\_\_\_

# Vaya Flood MP G2

3000 K, 40°, CE/CQC

## Mid power architectural LED flood light for crisp white lighting effects

Vaya Flood MP (gen2) is a reliable and cost effective LED flood lighting solution for both exterior use that minimizes the initial investment, while providing exceptional flexibility to create eye-catching flood, wash and accent lighting effects. A wide choice of beam angles and color options let you bring a property to life with either static or dynamically changing colors. Extended light throw and high efficacy set this compact & robust luminaire apart. Its integrated power and adjustable tilt angle make this product versatile and easy to use.



- **Powerful** - Throwing light with 10lx up to 32 m / 1fc up to 104 ft high, this wide beam luminaire is a powerful solution for any size of project.
- **Compact** - Unlike other flood lighting solutions, the Vaya Flood series are compact sized & light-weight luminaires, that combine an aluminium die-cast housing which is both anodized and powder coated to protect against corrosion, tempered glass, pressure equalizing air vents and IP66 outdoor rating, making the product robust against harsh outdoor environments.
- **Simple** - Direct line voltage (220 to 240 VAC) input eliminates the need for remote power supply unit, minimizing the system components and risk points, allowing for an easy and fast installation. Optional On-Off or DMX-512 control allows for dimming and dynamic control with industry standard protocols, allowing for easy setup and 3rd party system integration.
- **Versatile** - A selection of four different beam angles from narrow spot projections to wide open-beam flood lighting applications, four different color temperatures from warm 2700 K to cool 5000 K, various mono colors and generous tilt aiming, make the Vaya Flood series a versatile tool box for a host of small to large, interior and exterior applications.
- **Custom Configurations** - A host of configured options is available from the Ordering Guide

For detailed product information, please refer to the Vaya Flood MP G2 Product Guide at [www.colorkinetics.com/vaya/flood-mp-g2-white/](http://www.colorkinetics.com/vaya/flood-mp-g2-white/)

**COLORKINETICS**  
vaya series

# Specifications

Due to continuous improvements and innovations, specifications may change without notice.

## Output

Color Temperature*	3000 K
Beam Angle	40°
Lumens†	5,180
Efficacy (lm/W)	76.3
CRI	80

## Electrical

Input Voltage	220 to 240 VAC, 50/60 Hz
Power Consumption	68 W <i>(Maximum at full output, steady state)</i>

## Control

### Lumen Maintenance

Threshold§	Ambient Temperature	Reported¶	Calculated¶
L90	25 °C	> 60,000	74,000
	40 °C	23,000	23,000
L80	25 °C	> 60,000	> 100,000
	40 °C	45,000	45,000
L70	25 °C	> 60,000	> 100,000
	40 °C	> 60,000	71,000

## Physical

Dimensions	275 x 353 x 91 mm (11 x 13.9 x 4 in) <i>Including mounting bracket</i>
	228 x 316 x 71 mm (9 x 12.4 x 3 in) <i>Excluding mounting bracket</i>
Weight	5.72 kg (12.61 lb)
Housing Material	Die-cast aluminium, dark grey powder-coated finish
Lens	Clear tempered glass
Temperature Range	-40 to 40 °C (-40 to 104 °F) Operating -20 to 40 °C (-4 to 104 °F) Startup -40 to 80 °C (-40 to 176 °F) Storage
Mechanical Impact	IK07
Humidity	0 to 95%, non-condensing

## Certification and Safety

Approbation	CE, CQC, RCM
Environment	Dry/Damp/Wet Location, IP66



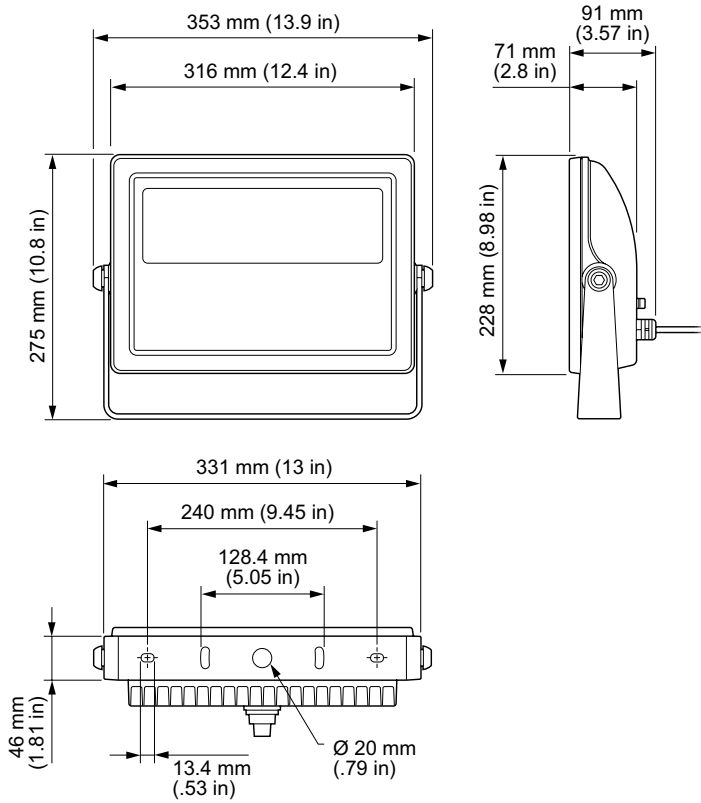
\* Correlated color temperature (CCT) complies with ANSI C78.377-2008 for the chromaticity of solid state lighting products.

† Lumen output measurements comply with IES LM-79-08 testing procedures.

§ Lxx = xx% lumen maintenance (when light output drops below xx% of initial output). All values are given at B50, or the median value where 50% of the LED population is better than the reported or calculated lumen maintenance measurement.

¶ Lumen maintenance figures are based on lifetime prediction graphs supplied by LED source manufacturers. Whenever possible, figures use measurements that comply with IES LM-80-08 testing procedures. In accordance with TM-21-11, Reported values represent the interpolated value based on six times the LM-80-08 total test duration (in hours). Calculated values represent time durations that exceed six times the total test duration.

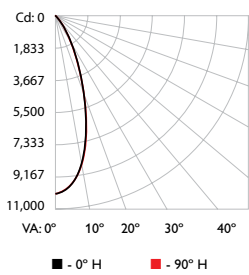
# Dimensions



# Photometrics 3000 K, 40°, CE/CQC

Photometric data is based on test results from an independent NIST traceable testing lab. IES data is available at [www.colorkinetics.com/support/ies](http://www.colorkinetics.com/support/ies).

## Polar Candela Distribution



	0	22.5	45	67.5	90
0	10147	10147	10147	10147	10147
5	9667	9680	9692	9727	9675
15	6596	6606	6697	6762	6634
25	2970	2998	3083	3168	3029
35	1031	1056	1087	1133	1081
45	299	300	315	325	317
55	67	68	70	73	71
65	13	19	19	21	17
75	8	8	6	9	8
85	0	2	0	2	0
90	0	0	0	0	0

## Illuminance at Distance

	Center Beam fc	Beam Width
4 ft	634.18 fc	2.7 ft 2.8 ft
8 ft	158.55 fc	5.5 ft 5.5 ft
12 ft	70.46 fc	8.2 ft 8.3 ft
16 ft	39.64 fc	10.9 ft 11 ft
20 ft	25.37 fc	13.6 ft 13.8 ft
24 ft	17.62 fc	16.4 ft 16.5 ft

100.5 ft (31 m)  
1 fc maximum distance

Vert. Spread: 37.6°  
 Horiz. Spread: 38°

# Luminaire and Accessories

Use Item Number when ordering in North America

## **Luminaire**

Vaya Flood MP G2, 3000 K, 40°, CE/CQC

Item Number

350-000016-02

Item 12NC

912400134022

---

**COLORKINETICS** vaya series

© 2019 Signify Holding. All rights reserved. Specifications are subject to change without notice. No representation or warranty as to the accuracy or completeness of the information included herein is given and any liability for any action in reliance thereon is disclaimed.

Color Kinetics  
[www.colorkinetics.com/vaya/flood-mp-g2-white/](http://www.colorkinetics.com/vaya/flood-mp-g2-white/)