

FlexElite iW

Date: _____
Type: _____
Firm Name: _____
Project: _____

**2 Nodes, Black Node/Cable,
152 mm (6 in) On-Center Node
Spacing**

Exterior bright and beautiful flexible direct view luminaire with tunable white light

FlexElite is the brightest and most flexible member of the Flex family. It includes a redesign of all major elements, from its form factor to internal electronics to mechanical design. We created FlexElite to meet the challenges posed by large, unconventional buildings and structures. At its core, you'll find an innovative modular design that lets you create the exact number and configuration of nodes that you need for your design. FlexElite's sections and jumper cables click together quickly and easily, allowing unequalled customization. Longer run lengths and node spacing let you take on larger challenges than possible in the past. FlexElite iW has 4 channels of white light that can be combined to offer variable color temperatures. With our Chromasync technology, you can also use a single channel to provide Essential White light at the same brightness as in 4-channel mode.



- **Modular Design**—FlexElite's advanced technology frees you from the limitations posed by static numbers of nodes on flexible cables—enabling longer run lengths and node spacing. You can choose sections with the number of nodes you need. Plus, multiple jumper cable lengths let you get the node spacing you need for your design—achieving the right resolution. FlexElite can deliver run lengths of up to 1,000 feet per run, with variable distances between nodes. With FlexElite, you can take on a wide range of outdoor applications, from arenas to office buildings to bridges.
- **Brighter Output**—FlexElite is the brightest Flex luminaire available. At its brightest, FlexElite IntelliHue achieves 150 lumens per node. Brighter output lets you take on larger structures and create ambitious, large-scale designs that get noticed. And our lumen measurement complies with IES LM-79-08 testing procedures for consistency.
- **Four Channels of White Light**—FlexElite luminaires are natively designed as four-channel luminaires. Choose iW for white light in temperatures of 2200 K, 3000 K, 4000 K, and 6500 K, tunable to anywhere in between. FlexElite includes our proprietary Chromasync technology to enable maximum lumen output at whatever temperature of white light you choose.
- **Simple Installation**—Push-and-click connectors ensure reliable connections, while intuitive mounting options make it easy for installers to mount FlexElite on any structure.
- **Proven Reliability**—FlexElite is designed to be extremely reliable, year after year. Thanks to smart design, extensive testing, and years of experience, FlexElite can handle extreme conditions, humidity, heat, cold, and ice—delivering reliable performance.
- **Complete Solution**—An advanced, reliable luminaire is a critical part of your direct-view lighting solution, but it's not the only element that matters. That's why Color Kinetics offers a full range of complementary solutions—including power/data supplies, controllers, and much more. All designed and optimized to ensure seamless integration and years of trouble-free operation. For example, we designed our PDS-400 48V CA4 power/data supply specifically for FlexElite. And FlexElite integrates with ActiveSite, our remote monitoring solution.

For detailed product information, please refer to the FlexElite iW Product Guide at www.colorkinetics.com/global/products/intelliwhite/flexelite-iw

Specifications

Due to continuous improvements and innovations, specifications may change without notice.

Output

| | |
|---|---------------------------|
| Viewing Angle | 140° |
| Lumens Per Node (all channels full on) [†] | 142 |
| Lumens @ 2200 K* | 99 |
| Lumens @ 3000 K* | 131 |
| Lumens @ 4000 K* | 139 |
| Lumens @ 6500 K* | 149 |
| Lumens @ 2200 K to 3000 K* | 121 |
| Lumens @ 3000 K to 4000 K* | 141 |
| Lumens @ 4000 K to 6500 K* | 150 |
| Luminance Per Node | 104,842 cd/m ² |
| On-Axis Candela per node | 53 |
| Efficacy (lm/W) per node all channels full on | 59.1 |
| CRI All Channels Full On | 95.8 |
| LED Channels | 2200 K to 6500 K |

Electrical

| | |
|--|----------------------------|
| Input Voltage | 48 VDC via PDS-400 48V CA4 |
| Power Consumption (Maximum per node at full output, steady state) | 2.5 W |

Control

| | |
|-----------|-----------------|
| Interface | PDS-400 48V CA4 |
|-----------|-----------------|

Control System

Color Kinetics full range of controllers, including Light System Manager, Video System Manager Pro, iPlayer 3, Antumbra iColor Keypad, and ColorDial Pro, or third-party controllers

| | |
|--------------------------------|--|
| Remote Monitoring & Management | ActiveSite Ready, works with Interact Landmark |
|--------------------------------|--|

Lumen Maintenance

| Threshold [§] | Ambient Temperature | Reported [¶] | Calculated [¶] |
|------------------------|---------------------|-----------------------|-------------------------|
| L ₉₀ | 25 °C | 59,484 | 59,484 |
| | 50 °C | 59,484 | 59,484 |
| L ₈₀ | 25 °C | > 60,000 | > 100,000 |
| | 50 °C | > 60,000 | > 100,000 |
| L ₇₀ | 25 °C | > 60,000 | > 100,000 |
| | 50 °C | > 60,000 | > 100,000 |
| L ₅₀ | 25 °C | > 60,000 | > 100,000 |
| | 50 °C | > 60,000 | > 100,000 |

* Correlated color temperature (CCT) complies with ANSI C78.377-2008 for the chromaticity of solid state lighting products.

† Lumen output measurements comply with IES LM-79-08 testing procedures.

§ L_{xx} = xx% lumen maintenance (when light output drops below xx% of initial output). All values are given at B10, or the median value where 90% of the LED population is better than the reported or calculated lumen maintenance measurement.

¶ Lumen maintenance figures are based on lifetime prediction graphs supplied by LED source manufacturers. Whenever possible, figures use measurements that comply with IES LM-80-08 testing procedures. In accordance with TM-21-11, Reported values represent the interpolated value based on six times the LM-80-08 total test duration (in hours). Calculated values represent time durations that exceed six times the total test duration.

‡ Due to voltage/power loss in leader and jumper cables, most installations will not be able to install the full 160 nodes per PDS. Please consult Color Kinetics for maximum run length calculations for your projects.

Physical

| | |
|--|---|
| Dimensions (Height x Width x Depth) | 60 x 97.81 x 27.66 mm (2.36 x 3.85 x 1.09 in) |
| Weight | 0.35 kg (0.77 lb) |
| Housing Material | Black PBT plastic and powder-coated aluminium |
| Lens | Tempered glass |
| Luminaire Connections | Integrated watertight 5-pin connector |

Temperature Ranges

-40 to 50 °C (-40 to 122 °F) Operating
 > 0 °C (> 32 °F) Handling
 -20 to 50 °C (-4 to 122 °F) Startup
 -40 to 80 °C (-40 to 176 °F) Storage

| | |
|----------|--------------------------|
| Humidity | 0 to 95%, non-condensing |
|----------|--------------------------|

Maximum Luminaires Per Power/Data Supply^{‡‡}

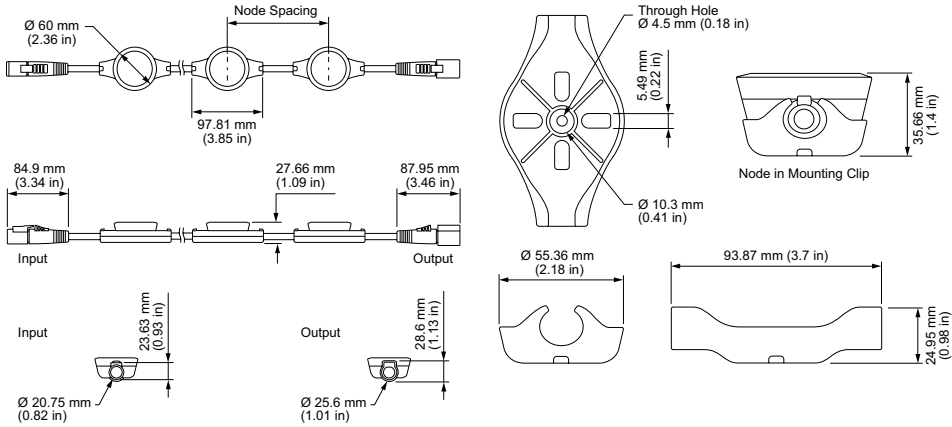
PDS-400 48V CA4: 160 nodes

Certification and Safety

| | |
|-------------|-----------------------------|
| Approbation | UL/cUL, FCC Class A, CE |
| Environment | Dry/Damp/Wet Location, IP66 |



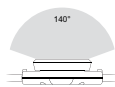
Dimensions



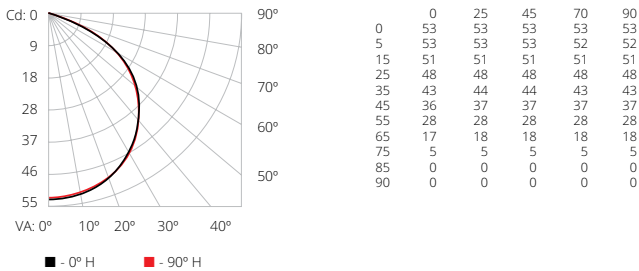
Photometrics, all channels full on

Photometric data is based on test results from an independent NIST traceable testing lab. IES data is available at www.colorkinetics.com/support/ies.

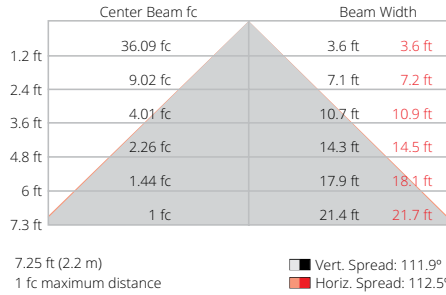
| | |
|---|----------------------|
| Viewing Angle | 140° |
| LEDs | All channels full on |
| Lumens Per Node (all channels full on) | 142 |
| Efficacy (lm/W) per node all channels full on | 59.1 |



Polar Candela Distribution



Illuminance at Distance



Coefficients of Utilization - Zonal Cavity Method

| RCC %: | Effective Floor Cavity Reflectance: 20% | | | | | | | | | | | | | | | | | | | | | | | | | |
|--------|---|------|------|------|------|------|------|------|------|------|------|------|------|------|------|------|------|------|------|------|------|------|------|------|------|------|
| | 80 | | | | 70 | | | | 50 | | | | 30 | | | | 10 | | | | 0 | | | | | |
| RW %: | 70 | 50 | 30 | 0 | 70 | 50 | 30 | 0 | 50 | 30 | 20 | 0 | 50 | 30 | 20 | 0 | 50 | 30 | 20 | 0 | 50 | 30 | 20 | 0 | | |
| 0 | 1.19 | 1.19 | 1.19 | 1.19 | 1.16 | 1.16 | 1.16 | 1 | 1.11 | 1.11 | 1.11 | 1.06 | 1.06 | 1.06 | 1.02 | 1.02 | 1.02 | 1 | 0.92 | 0.9 | 0.88 | 0.86 | 0.86 | 0.86 | 0.86 | 0.86 |
| 1 | 1.1 | 1.06 | 1.02 | 0.99 | 1.07 | 1.04 | 1 | 0.87 | 0.99 | 0.96 | 0.94 | 0.95 | 0.93 | 0.91 | 0.92 | 0.9 | 0.88 | 0.86 | 0.81 | 0.78 | 0.75 | 0.73 | 0.73 | 0.73 | 0.73 | 0.73 |
| 2 | 1.01 | 0.93 | 0.87 | 0.81 | 0.98 | 0.91 | 0.85 | 0.74 | 0.88 | 0.83 | 0.79 | 0.84 | 0.8 | 0.77 | 0.81 | 0.78 | 0.75 | 0.73 | 0.72 | 0.68 | 0.64 | 0.62 | 0.62 | 0.62 | 0.62 | 0.62 |
| 3 | 0.92 | 0.82 | 0.74 | 0.68 | 0.9 | 0.8 | 0.73 | 0.64 | 0.77 | 0.71 | 0.66 | 0.75 | 0.7 | 0.65 | 0.72 | 0.68 | 0.64 | 0.62 | 0.61 | 0.57 | 0.53 | 0.51 | 0.51 | 0.51 | 0.51 | 0.51 |
| 4 | 0.84 | 0.73 | 0.64 | 0.58 | 0.82 | 0.71 | 0.64 | 0.55 | 0.69 | 0.62 | 0.57 | 0.67 | 0.61 | 0.56 | 0.65 | 0.59 | 0.55 | 0.53 | 0.53 | 0.49 | 0.45 | 0.43 | 0.43 | 0.43 | 0.43 | 0.43 |
| 5 | 0.77 | 0.65 | 0.56 | 0.5 | 0.75 | 0.64 | 0.56 | 0.48 | 0.62 | 0.55 | 0.49 | 0.6 | 0.54 | 0.49 | 0.58 | 0.53 | 0.48 | 0.46 | 0.46 | 0.42 | 0.38 | 0.36 | 0.36 | 0.36 | 0.36 | 0.36 |
| 6 | 0.72 | 0.59 | 0.5 | 0.44 | 0.7 | 0.58 | 0.49 | 0.42 | 0.56 | 0.48 | 0.43 | 0.54 | 0.48 | 0.43 | 0.53 | 0.47 | 0.42 | 0.4 | 0.4 | 0.36 | 0.32 | 0.3 | 0.3 | 0.3 | 0.3 | 0.3 |
| 7 | 0.66 | 0.53 | 0.44 | 0.38 | 0.65 | 0.52 | 0.44 | 0.37 | 0.51 | 0.43 | 0.38 | 0.49 | 0.43 | 0.38 | 0.48 | 0.42 | 0.37 | 0.36 | 0.36 | 0.32 | 0.28 | 0.26 | 0.26 | 0.26 | 0.26 | 0.26 |
| 8 | 0.62 | 0.48 | 0.4 | 0.34 | 0.6 | 0.48 | 0.4 | 0.33 | 0.46 | 0.39 | 0.34 | 0.45 | 0.39 | 0.34 | 0.44 | 0.38 | 0.34 | 0.32 | 0.32 | 0.28 | 0.24 | 0.22 | 0.22 | 0.22 | 0.22 | 0.22 |
| 9 | 0.58 | 0.44 | 0.36 | 0.31 | 0.56 | 0.44 | 0.36 | 0.3 | 0.43 | 0.36 | 0.31 | 0.42 | 0.35 | 0.3 | 0.41 | 0.35 | 0.3 | 0.28 | 0.28 | 0.24 | 0.2 | 0.18 | 0.18 | 0.18 | 0.18 | 0.18 |
| 10 | 0.54 | 0.41 | 0.33 | 0.28 | 0.53 | 0.4 | 0.33 | 0.27 | 0.39 | 0.32 | 0.28 | 0.38 | 0.32 | 0.28 | 0.38 | 0.32 | 0.27 | 0.26 | 0.26 | 0.22 | 0.18 | 0.16 | 0.16 | 0.16 | 0.16 | 0.16 |

Zonal Lumen

| Zone | Lumens | % Luminaire |
|--------|--------|-------------|
| 0-30 | 41.3 | 29.0% |
| 0-40 | 68.0 | 47.8% |
| 0-60 | 120.6 | 84.7% |
| 60-90 | 21.8 | 15.3% |
| 70-100 | 5.2 | 3.7% |
| 90-120 | 0.0 | 0.0% |
| 0-90 | 142.4 | 100.0% |
| 90-180 | 0.0 | 0.0% |
| 0-180 | 142.4 | 100.0% |

For lux multiply fc by 10.7

Luminaire and Accessories

Use Item Number when ordering in North America

| Luminaire | Item Number | Item 12NC |
|--|---------------|--------------|
| FlexElite iW 2 Nodes, Black Node/Cable, 152 mm (6 in) On-Center Node Spacing | 501-000017-02 | 912400136946 |
| Accessories | | |
| FlexElite Leader Cable, 7.5 m (25 ft), Black, UL/CE | 108-000085-00 | 912400136420 |
| FlexElite Leader Cable, 15 m (50 ft), Black, UL/CE | 108-000085-01 | 912400136421 |
| FlexElite Leader Cable, 30 m (100 ft), Black, UL/CE | 108-000085-02 | 912400136422 |
| FlexElite Leader Cable, 60 m (200 ft), Black, UL/CE | 108-000085-03 | 912400136423 |
| FlexElite Jumper Cable, 305 mm (1 ft), Black, UL/CE | 108-000085-04 | 912400136424 |
| FlexElite Jumper Cable, 500 mm (1.7 ft), Black, UL/CE | 108-000085-05 | 912400136425 |
| FlexElite Jumper Cable, 610 mm (2 ft), Black, UL/CE | 108-000085-06 | 912400136426 |
| FlexElite Jumper Cable, 1 m (3.3 ft), Black, UL/CE | 108-000085-07 | 912400136427 |
| FlexElite Jumper Cable, 1.5 m (5 ft), Black, UL/CE | 108-000085-08 | 912400136428 |
| FlexElite Jumper Cable, 2 m (6.6 ft), Black, UL/CE | 108-000085-09 | 912400136429 |
| FlexElite Jumper Cable, 3 m (10 ft), Black, UL/CE | 108-000085-10 | 912400136430 |
| FlexElite Dome Lens, Black, 10 pieces | 120-000204-02 | 912400136444 |
| FlexElite Single Node Mounting Clip, Black, 10 pieces | 120-000204-00 | 912400136442 |
| Power Supplies | | |
| PDS-400 48V CA4, UL | 109-000035-00 | 912400135914 |
| PDS-400 48V CA4, CE | 109-000035-01 | 912400136495 |



© 2019 Signify Holding. All rights reserved. Specifications are subject to change without notice. No representation or warranty as to the accuracy or completeness of the information included herein is given and any liability for any action in reliance thereon is disclaimed.

Color Kinetics
www.colorkinetics.com/global/products/intelliwhite/flexelite-iw