

Date: _____
Type: _____
Firm Name: _____
Project: _____

Vaya Flood LP G2

4000 K, 40°, CE/CQC/PSE

Low power architectural LED flood light for crisp white lighting effects

Vaya Flood LP (gen2) is a reliable and cost effective LED flood lighting solution for both interior and exterior use that minimizes the initial investment, while providing exceptional flexibility to create eye-catching flood, wash and accent lighting effects. A wide choice of beam angles and color options let you bring a property to life with either static or dynamically changing colors. Extended light throw and high efficacy set this compact & robust luminaire apart. Its integrated power and adjustable tilt angle make this product versatile and easy to use.



- **Powerful** - Throwing light with 10lx up to 25 m / 1fc up to 82 ft high, this wide beam luminaire is a powerful solution for any size of project.
- **Compact** - Unlike other flood lighting solutions, the Vaya Flood series are compact sized & light-weight luminaires, that combine an aluminium die-cast housing which is both anodized and powder coated to protect against corrosion, tempered glass, pressure equalizing air vents and IP66 outdoor rating, making the product robust against harsh outdoor environments.
- **Simple** - Direct line voltage (100 to 240 VAC) input eliminates the need for remote power supply unit, minimizing the system components and risk points, allowing for an easy and fast installation. Optional On-Off or DMX-512 control allows for dimming and dynamic control with industry standard protocols, allowing for easy setup and 3rd party system integration.
- **Versatile** - A selection of four different beam angles from narrow spot projections to wide open-beam flood lighting applications, four different color temperatures from warm 2700 K to cool 5000 K, various mono colors and generous tilt aiming, make the Vaya Flood series a versatile tool box for a host of small to large, interior and exterior applications.
- **Custom Configurations** - A host of configured options is available from the Ordering Guide

For detailed product information, please refer to the Vaya Flood LP G2 Product Guide at www.colorkinetics.com/vaya/flood-lp-g2-white/

COLORKINETICS
vaya series

Specifications

Due to continuous improvements and innovations, specifications may change without notice.

Output

Color Temperature*	4000 K
Beam Angle	40°
Lumens	3,387
Efficacy (lm/W)	85.7
CRI	82

Electrical

Input Voltage	100 to 240 VAC, 50/60 Hz
Power Consumption	44 W <i>(Maximum at full output, steady state)</i>

Control

Lumen Maintenance

Threshold [§]	Ambient Temperature	Reported [¶]	Calculated [¶]
L90	25 °C	23,000	23,000
	40 °C	23,000	23,000
L80	25 °C	45,000	45,000
	40 °C	45,000	45,000
L70	25 °C	> 60,000	71,000
	40 °C	> 60,000	71,000

Physical

Dimensions <i>(Height x Width x Depth)</i>	223 x 236 x 105 mm (9 x 9.3 x 4 in) <i>Including mounting bracket</i> 195 x 213 x 52 mm (8 x 8.4 x 2 in) <i>Excluding mounting bracket</i>
Weight	3.53 kg (7.8 lb)
Housing Material	Die-cast aluminium, dark grey powder-coated finish
Lens	Clear tempered glass
Temperature Range	-40 to 40 °C (-40 to 104 °F) Operating -20 to 40 °C (-4 to 104 °F) Startup -40 to 80 °C (-40 to 176 °F) Storage
Mechanical Impact	IK07
Humidity	0 to 95%, non-condensing

Certification and Safety

Approbation	CE, PSE, CQC, RCM
Environment	Dry/Damp/Wet Location, IP66

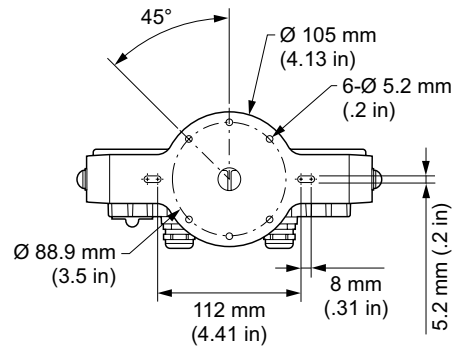
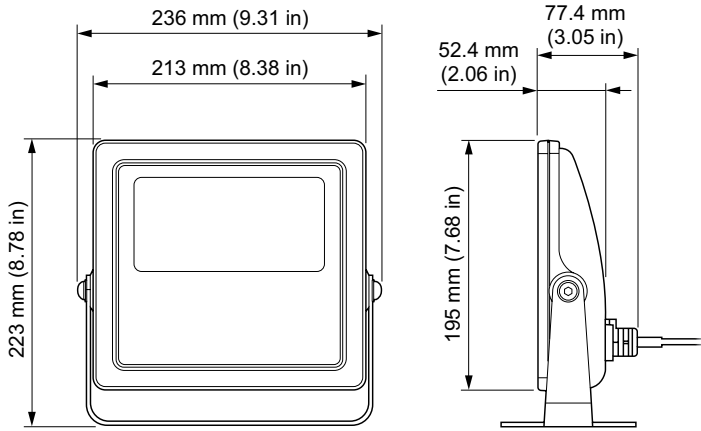


* Correlated color temperature (CCT) complies with ANSI C78.377-2008 for the chromaticity of solid state lighting products.

§ Lxx = xx% lumen maintenance (when light output drops below xx% of initial output). All values are given at B50, or the median value where 50% of the LED population is better than the reported or calculated lumen maintenance measurement.

¶ Lumen maintenance figures are based on lifetime prediction graphs supplied by LED source manufacturers. Whenever possible, figures use measurements that comply with IES LM-80-08 testing procedures. In accordance with TM-21-11, Reported values represent the interpolated value based on six times the LM-80-08 total test duration (in hours). Calculated values represent time durations that exceed six times the total test duration.

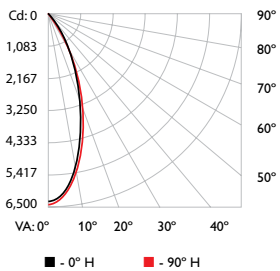
Dimensions



Photometrics 4000 K, 40°, CE/CQC/PSE

Photometric data is based on test results from an independent NIST traceable testing lab. IES data is available at www.colorkinetics.com/support/ies.

Polar Candela Distribution



	0	22.5	45	67.5	90
0	6348	6348	6348	6348	6348
5	6058	6064	6053	6061	6204
15	4184	4183	4185	4200	4254
25	1951	1951	1998	2006	2026
35	742	729	738	751	745
45	230	228	241	247	240
55	65	67	69	72	67
65	23	23	24	25	23
75	9	9	9	10	9
85	1	1	1	2	2
90	0	0	0	0	0

Illuminance at Distance

	Center Beam fc	Beam Width
4 ft	396.77 fc	2.7 ft 2.8 ft
8 ft	99.19 fc	5.4 ft 5.6 ft
12 ft	44.09 fc	8.2 ft 8.4 ft
16 ft	24.80 fc	10.9 ft 11.1 ft
20 ft	15.87 fc	13.6 ft 13.9 ft
24 ft	11.02 fc	16.3 ft 16.7 ft

79.5 ft (24.2 m)
1 fc maximum distance
 Vert. Spread: 37.6°
 Horiz. Spread: 38.4°

Luminaire and Accessories

Use Item Number when ordering in North America

Luminaire

	Item Number	Item 12NC
Vaya Flood LP G2, 4000 K, 40°, CE/CQC/PSE	350-000015-10	912400133937

Accessories

Mounting Arm, Short, Gray	120-000201-03	912400135843
Mounting Arm, Medium, Gray	120-000201-04	912400135844
Mounting Arm, Long, Gray	120-000201-05	912400135845

COLORKINETICS vaya series

© 2019 Signify Holding. All rights reserved. Specifications are subject to change without notice. No representation or warranty as to the accuracy or completeness of the information included herein is given and any liability for any action in reliance thereon is disclaimed.

Color Kinetics
www.colorkinetics.com/vaya/flood-lp-g2-white/