

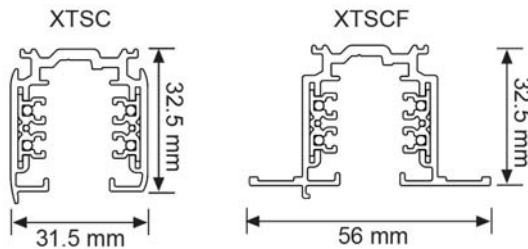
FEATURES

LED wall washer light for track, T5 series.

Housing: The design of the outer case and the internal heat sink combination to induce forced convection transfer for excellent heat dissipation.

Optic: Wall Washer effect using dual reflector structure for diffusion.

Mounting Track: For the three-circuit track for control system such as 1-10V.

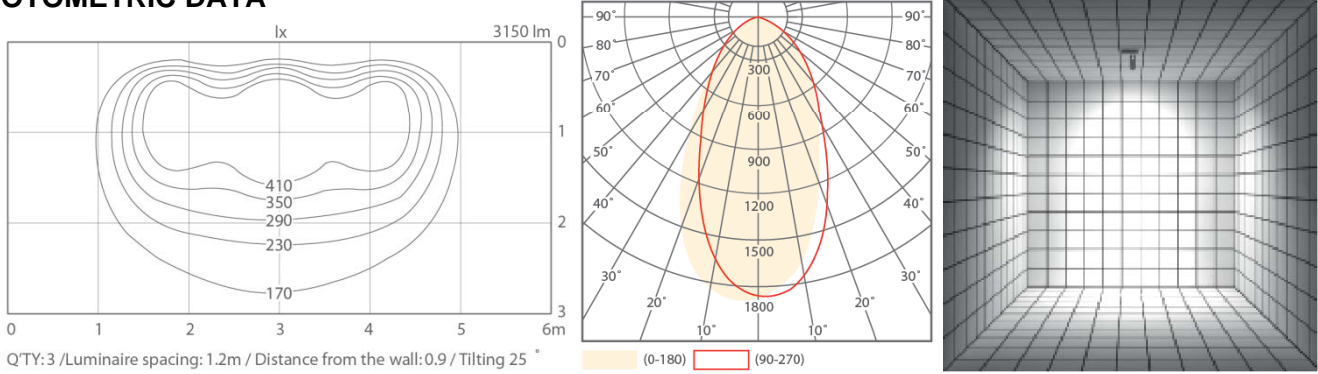


Product ordering number **18525W-827C-030-WW**
18525W-830C-030-WW
18525W-840C-030-WW

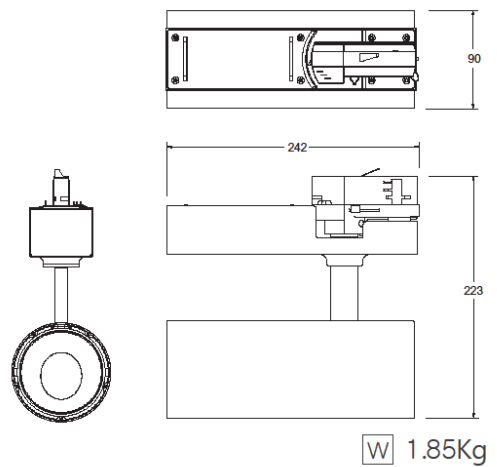
SPECIFICATIONS

| INDEX | | DATA |
|-----------------------|----|-----------------------------|
| DIMENSION | mm | W90 X L242 X H223 |
| WEIGHT | Kg | 1.85 |
| OPERATING VOLTAGE | V | AC 100~240V |
| POWER CONSUMPTION | W | 30 (with power supply unit) |
| COLOR TEMPERATURE | K | 2700 / 3000 / 4000 |
| LUMINOUS FLUX | lm | 3,150 |
| LOR | - | 0.70 |
| COLOR RENDERING INDEX | Ra | 80 |
| BEAM ANGLE | ° | Wall washer |
| IP RATING | - | 20 |
| STORAGE HUMIDITY | % | 20% ~ 70% |
| STORAGE TEMPERATURE | °C | -40°C ~ +50°C |
| OPERATING TEMPERATURE | °C | -20°C ~ +50°C |

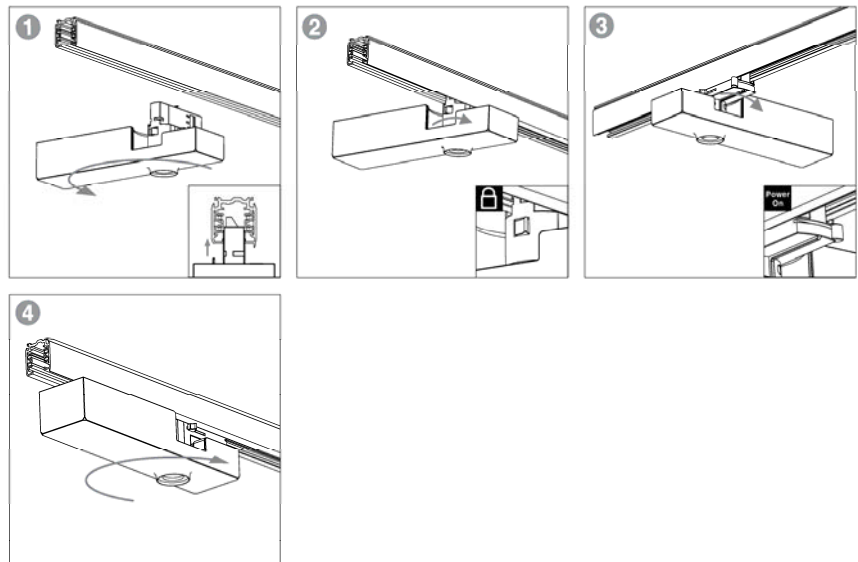
PHOTOMETRIC DATA



DRAWING DATA



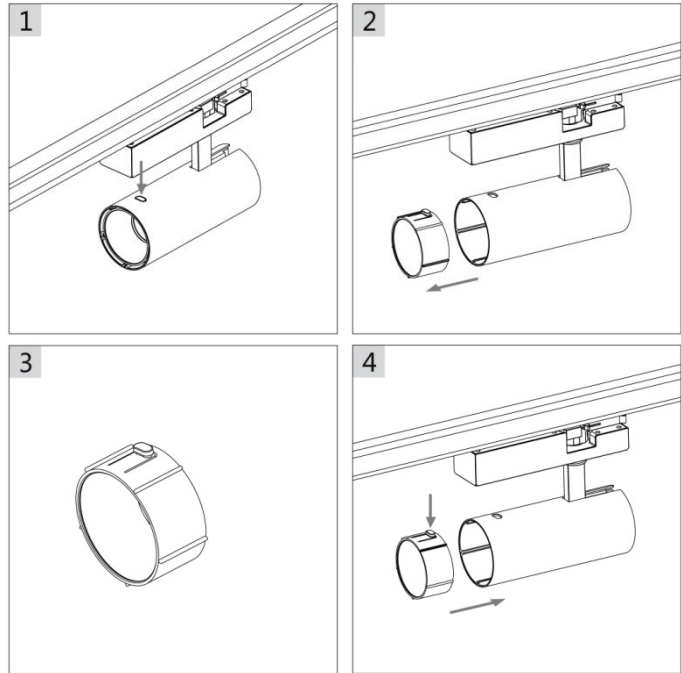
INSTALLATION INSTRUCTIONS



NOTES

Attention Read carefully before installing.
 The safety of this fixture is guaranteed only if you comply with these instructions. Save these instructions for future use.
 The operating temperature is between -20°C and +50°C.

INSTALLATION INSTRUCTIONS (Reflector)



NOTES

Attention Read carefully before installing.

The safety of this fixture is guaranteed only if you comply with these instructions. Save these instructions for future use.

The operating temperature is between -20°C and +50°C.