

FEATURES

LED wall washer light for track, T5 series.

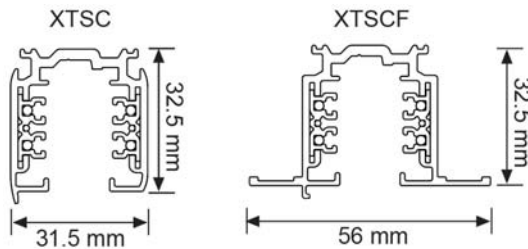
Housing: The design of the outer case and the internal heat sink combination to induce forced convection transfer for excellent heat dissipation.

Optic: Wall Washer effect using dual reflector structure for diffusion.

Mounting Track: For the three-circuit track for control system such as 1-10V.



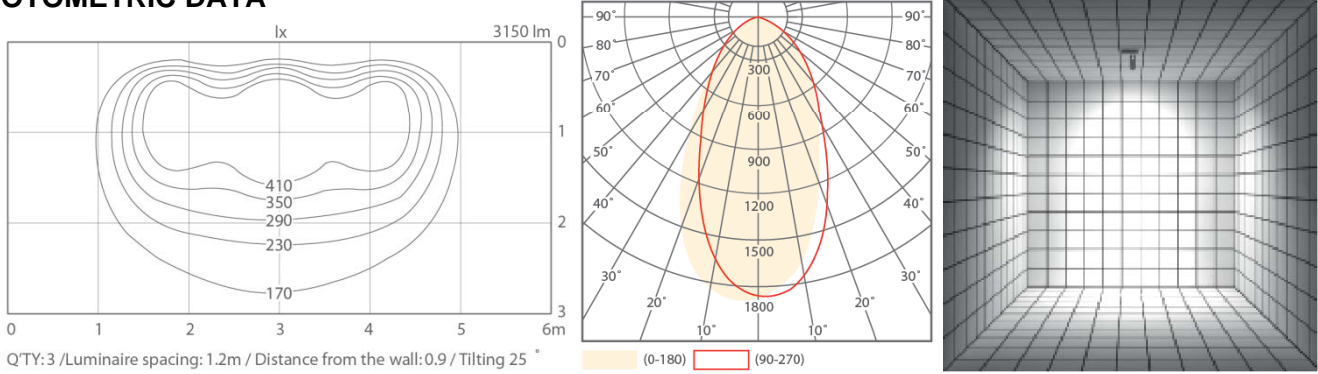
Product ordering number **18525D-827C-030-WW**
18525D-830C-030-WW
18525D-840C-030-WW



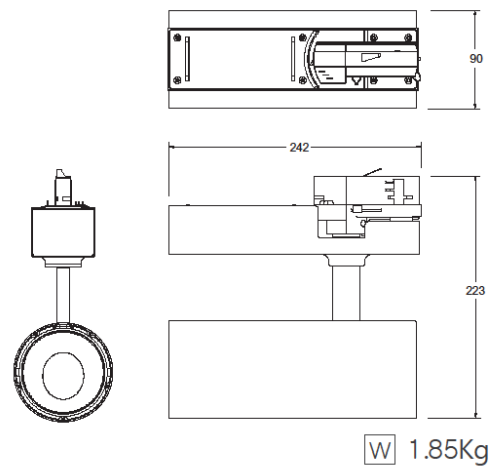
SPECIFICATIONS

INDEX		DATA
DIMENSION	mm	W90 X L242 X H223
WEIGHT	Kg	1.85
OPERATING VOLTAGE	V	AC 100~240V
POWER CONSUMPTION	W	30 (with power supply unit)
COLOR TEMPERATURE	K	2700 / 3000 / 4000
LUMINOUS FLUX	lm	3,150
LOR	-	0.70
COLOR RENDERING INDEX	Ra	80
BEAM ANGLE	°	Wall washer
IP RATING	-	20
STORAGE HUMIDITY	%	20% ~ 70%
STORAGE TEMPERATURE	°C	-40°C ~ +50°C
OPERATING TEMPERATURE	°C	-20°C ~ +50°C

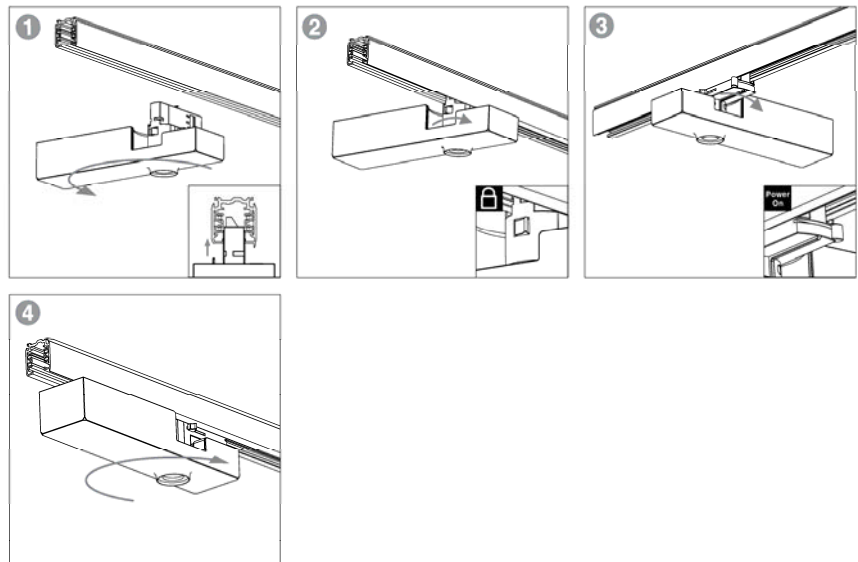
PHOTOMETRIC DATA



DRAWING DATA



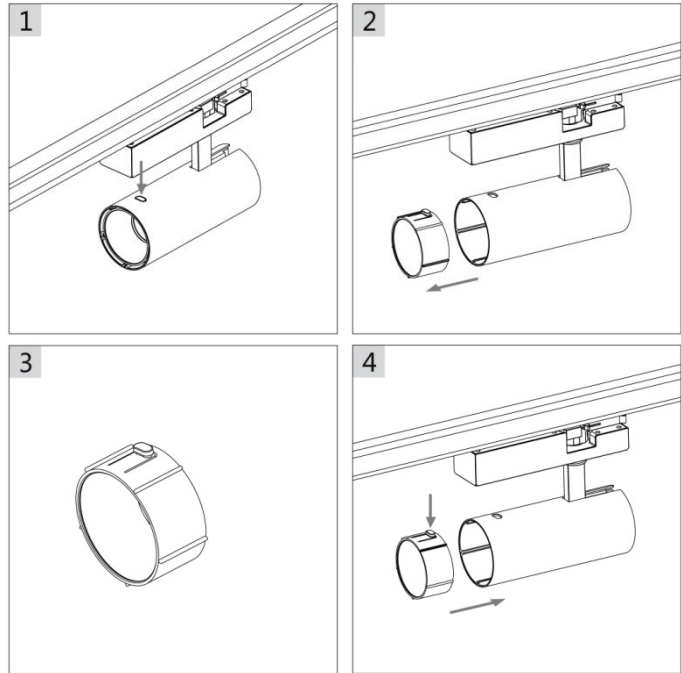
INSTALLATION INSTRUCTIONS



NOTES

Attention Read carefully before installing.
 The safety of this fixture is guaranteed only if you comply with these instructions. Save these instructions for future use.
 The operating temperature is between -20°C and +50°C.

INSTALLATION INSTRUCTIONS (Reflector)



NOTES

Attention Read carefully before installing.

The safety of this fixture is guaranteed only if you comply with these instructions. Save these instructions for future use.

The operating temperature is between -20°C and +50°C.