

## FEATURES

Recessed LED directional luminaire, O5 series.

### Housing

The integrated body structure provides strong heat dissipation.

### Reflector

NGR(Non Glare Reflector) Technology providing comfort and quality light to reduce stress. (White optional)

Dust & Scratch proof reflector.

### Optic

15° or 25° beam angle available.

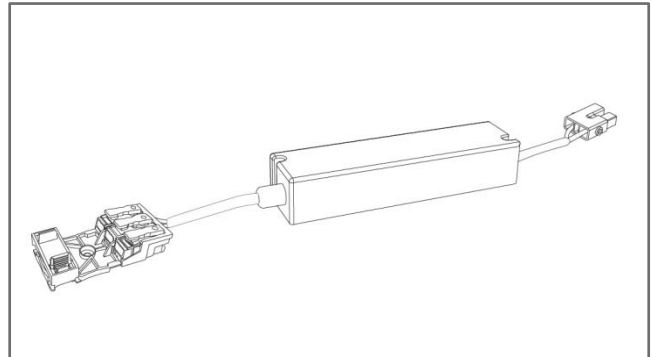


Product ordering number **11511C-827H-020-015**  
**11511C-830H-020-015**  
**11511C-840H-020-015**

## SPECIFICATIONS

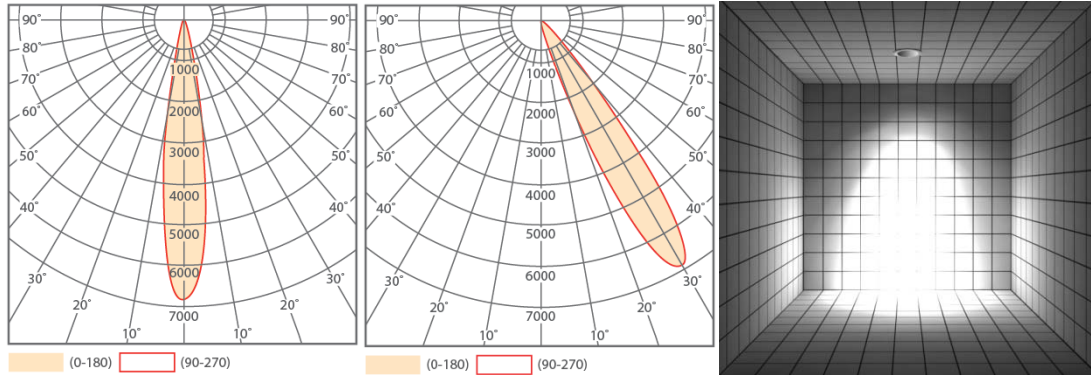
INDEX		DATA
DIMENSION	mm	Ø140 X H114
WEIGHT	Kg	0.55
OPERATING VOLTAGE	V	AC 100~240V
POWER CONSUMPTION	W	20 (with power supply unit)
OUTPUT POWER	W	17
COLOR TEMPERATURE	K	2700 / 3000 / 4000
LUMINOUS FLUX	lm	1,900
LOR	-	0.31
COLOR RENDERING INDEX	Ra	Over 80
BEAM ANGLE	°	15
IP RATING	-	20
STORAGE HUMIDITY	%	20% ~ 70%
STORAGE TEMPERATURE	°C	-40°C ~ +50°C
OPERATING TEMPERATURE	°C	-20°C ~ +50°C

## SMPS

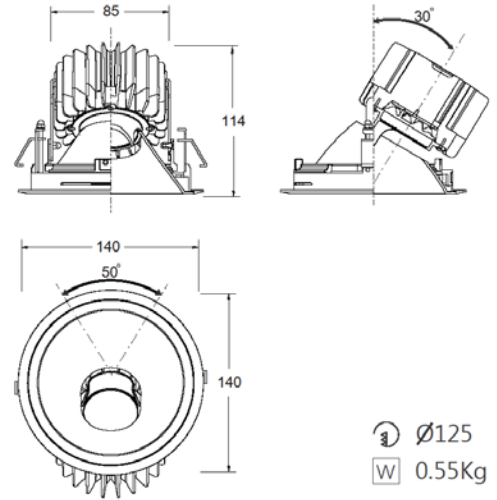


INDEX	ORDER NUMBER	NOTE
ON/OFF	80003	
1-10 Dimming	81002	
DALI Dimming	82002	
ON/OFF	80027	JAPAN
PWM Dimming	84006	JAPAN
DALI Dimming	82022	JAPAN
Triac Dimming	83012	AC 100~120V
Triac Dimming	83015	AC 220~240V

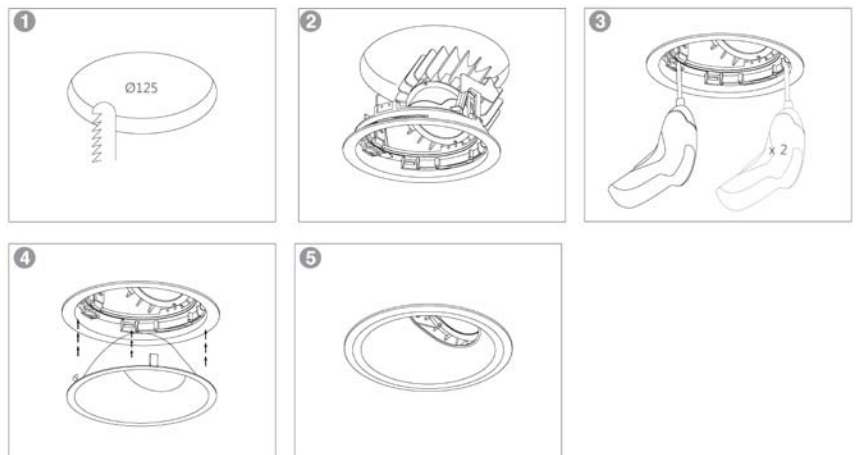
## PHOTOMETRIC DATA



## DRAWING DATA



## INSTALLATION INSTRUCTIONS



## NOTES

**Attention** Read carefully before installing.  
 The safety of this fixture is guaranteed only if you comply with these instructions. Save these instructions for future use.  
 The operating temperature is between -20°C and +50°C.