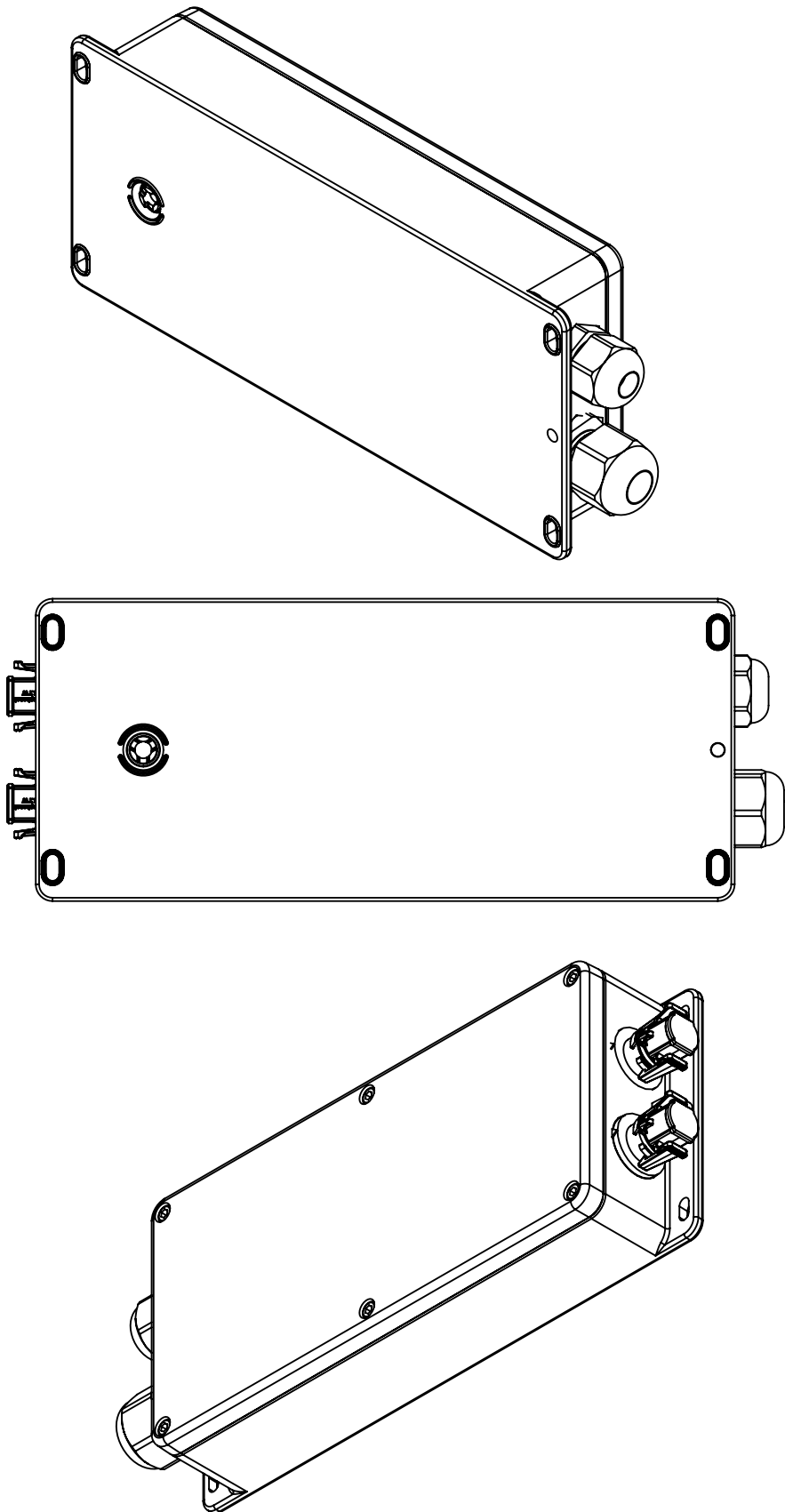
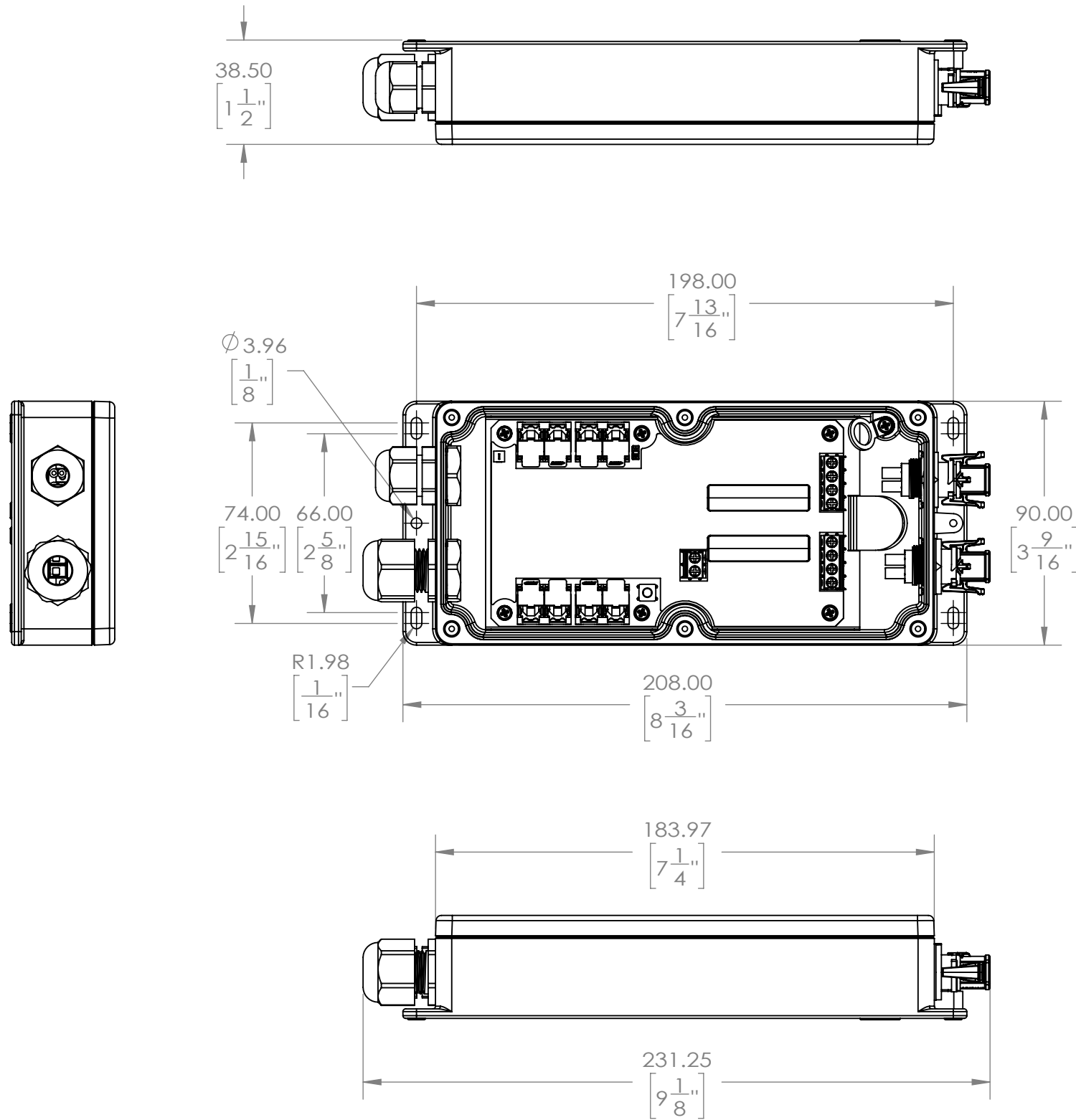


| REVISIONS |        |                 |            |           |
|-----------|--------|-----------------|------------|-----------|
| REV.      | ECO    | DESCRIPTION     | DATE       | APPROVED  |
| 00        | 011317 | INITIAL RELEASE | 2017/07/05 | ROBIN ZHU |

D  
C  
B  
A

D  
C  
B  
A



**PROPRIETARY AND CONFIDENTIAL**  
 THE INFORMATION CONTAINED IN THIS DRAWING IS THE SOLE PROPERTY OF PHILIPS COLOR KINETICS, INC. ANY REPRODUCTION IN PART OR AS A WHOLE WITHOUT THE WRITTEN PERMISSION OF PHILIPS COLOR KINETICS, INC. IS PROHIBITED.

**PHILIPS** COLOR KINETICS  
 PHILIPS COLOR KINETICS, INC. www.philips.com  
 3 Burlington Woods Dr. Burlington MA 01803  
 TEL: 888-385-5742 FAX: 617-338-0454

MATERIAL: **SEE NOTES**  
 FINISH: **SEE NOTES**  
 DRAWN: **Newman Li** DATE: **2014/12/9**  
 CHECKED: DATE: **2014-06-10**

-UNLESS OTHERWISE SPECIFIED-  
 DIMENSIONS ARE IN MILLIMETERS [INCHES]  
 INTERPRET GEOMETRIC TOLERANCING PER: ANSI Y14.5M  
 TOLERANCES: ANGLE:  $\pm 1^\circ$  DECIMAL:  
 .X  $\pm 0.5$  mm  
 .XX  $\pm 0.25$  mm  
 .XXX  $\pm 0.125$  mm  
 THIRD ANGLE PROJECTION

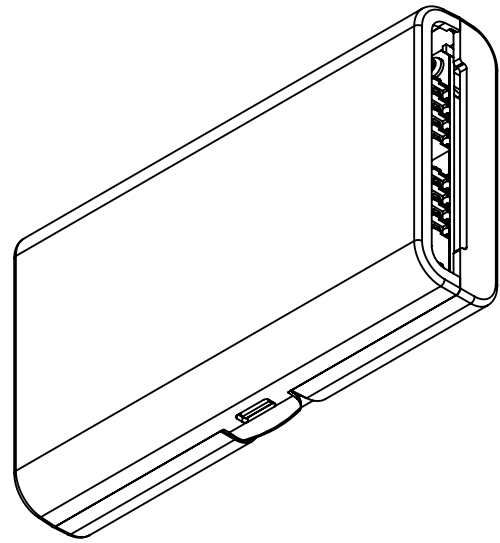
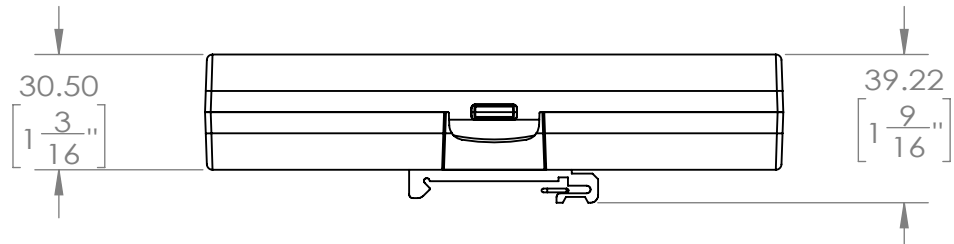
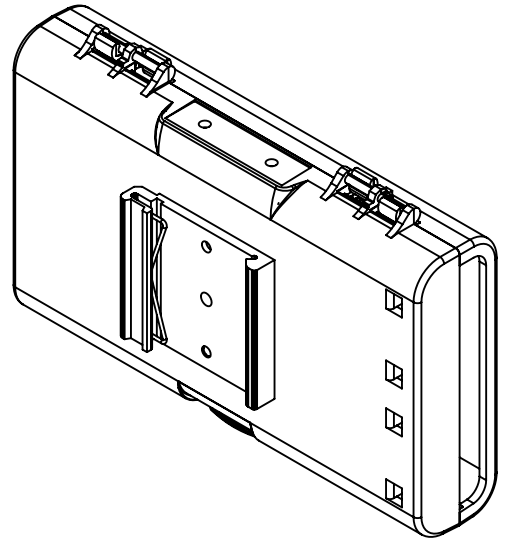
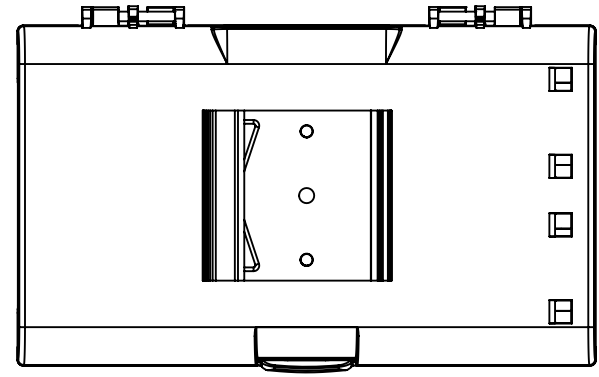
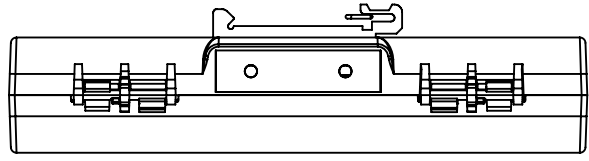
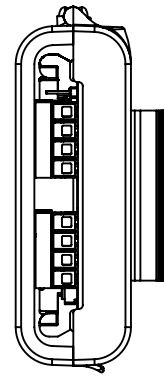
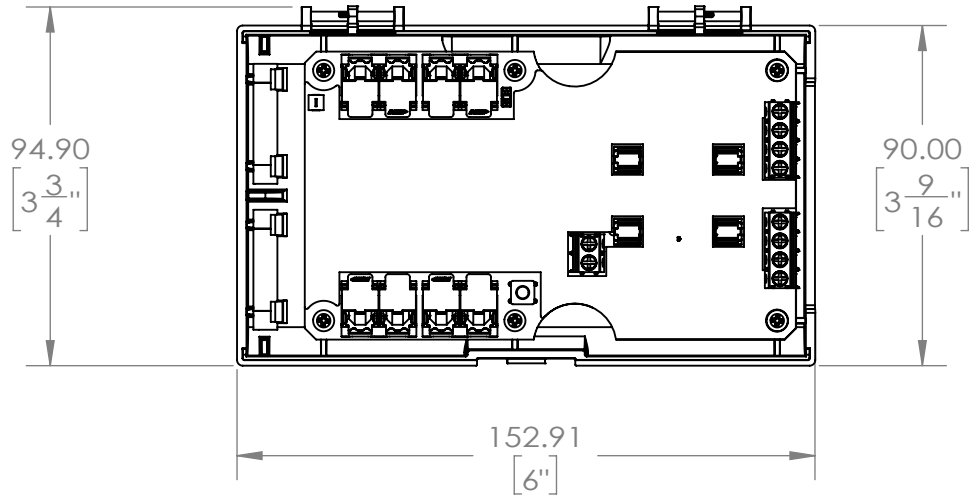
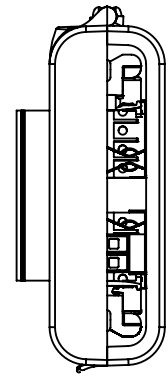
DESCRIPTION  
**PRODUCT DOCUMENT DRAWING, CM-150 CA**

|                      |                      |              |
|----------------------|----------------------|--------------|
| SIZE                 | DWG. NO.             | REV          |
| <b>B</b>             | <b>PDD-000137-00</b> | <b>00</b>    |
| FILE NAME            | DO NOT SCALE DRAWING | SHEET 1 OF 3 |
| <b>ASY-001995-XX</b> | SCALE <b>1:1</b>     |              |

8 7 6 5 4 3 2 1

PROPRIETARY AND CONFIDENTIAL

THE INFORMATION CONTAINED IN THIS DRAWING IS THE SOLE PROPERTY OF PHILIPS COLOR KINETICS, INC. ANY REPRODUCTION IN PART OR AS A WHOLE WITHOUT THE WRITTEN PERMISSION OF PHILIPS COLOR KINETICS, INC. IS PROHIBITED.



DESCRIPTION  
PRODUCT DOCUMENT DRAWING,  
CM-150 CA

|          |                      |           |
|----------|----------------------|-----------|
| SIZE     | DWG. NO.             | REV       |
| <b>B</b> | <b>PDD-000137-00</b> | <b>00</b> |

FILE NAME: ASY-001998-00 DO NOT SCALE DRAWING SCALE: 1:1 SHEET 2 OF 3

8

7

6

5

4

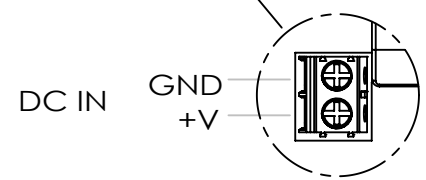
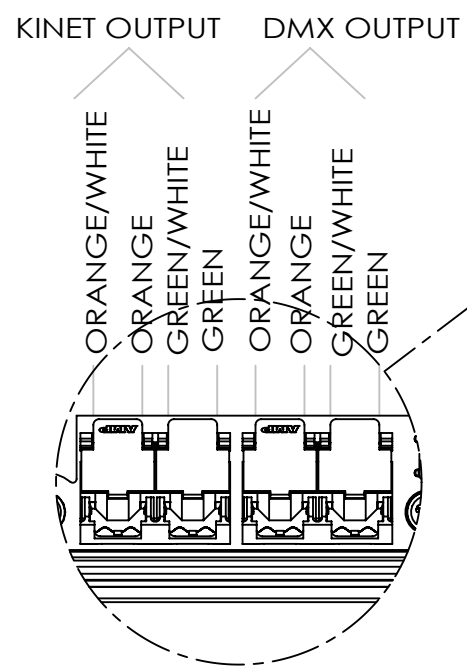
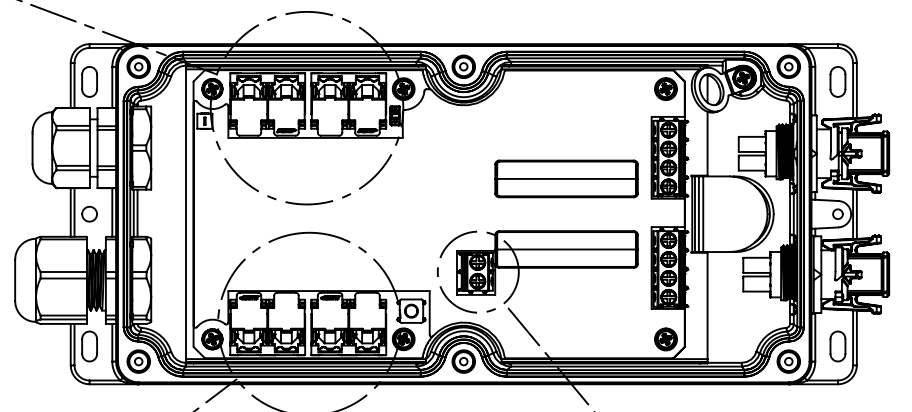
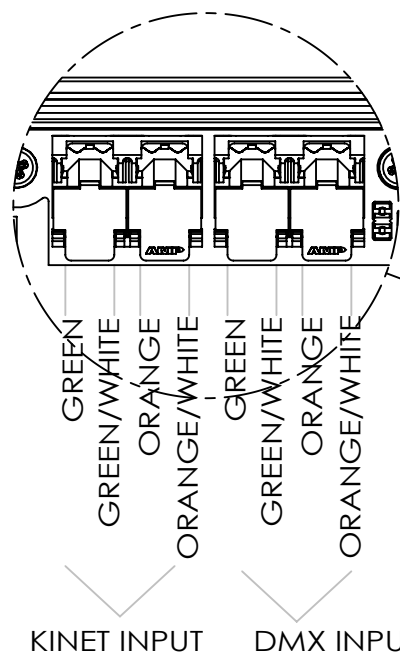
3

2

1

PROPRIETARY AND CONFIDENTIAL

THE INFORMATION CONTAINED IN THIS DRAWING IS THE SOLE PROPERTY OF PHILIPS COLOR KINETICS, INC. ANY REPRODUCTION IN PART OR AS A WHOLE WITHOUT THE WRITTEN PERMISSION OF PHILIPS COLOR KINETICS, INC. IS PROHIBITED.



DESCRIPTION  
**PRODUCT DOCUMENT DRAWING,  
 CM-150 CA**

|               |                      |              |
|---------------|----------------------|--------------|
| SIZE          | DWG. NO.             | REV          |
| <b>B</b>      | <b>PDD-000137-00</b> | <b>00</b>    |
| FILE NAME     | DO NOT SCALE DRAWING |              |
| ASY-001995-XX | SCALE 1:1            | SHEET 3 OF 3 |

8

7

6

5

4

3

2

1