

# CM-150 CA

Date: \_\_\_\_\_  
Type: \_\_\_\_\_  
Firm Name: \_\_\_\_\_  
Project: \_\_\_\_\_

DIN Rail Mount, Three-Wire  
Terminal, 7.5/12V, IP00

## CONTROL MODULE

### Control module for large scale architectural and media applications using Flex nodes

CM-150 CA delivers integrated data and power to Flex LED luminaires from Color Kinetics. With multiple mounting options, CM-150 CA is the single solution for all large scale installations using Flex nodes, whether color or white. An integrated test button instantly confirms proper functioning of your devices, eliminating costly and time-consuming reinstallation.



- Supports up to 150 W of power output—CM-150 CA accommodates input and output voltages of 7.5, 12, and 24 volts, so it's compatible with all current and discontinued Flex family products from Color Kinetics. CM-150 CA supports up to two strands of Flex, with up to 75 nodes per strand.
- Integrated test button—CM-150 CA features an onboard button for testing LED nodes that are attached to the control module, even before fully installing your control system. Press this button to instantly show a color wash on attached Flex nodes, confirming that your devices are working just as you expect them to. Press the button again, and your Flex nodes will resume normal operation. On-board indicator LEDs provide visual feedback for normal operation, DMX and Ethernet connection detection, and Ethernet data transmission.
- Modular and versatile—CM-150 CA is available in a surface mount or DIN rail mount form factor, allowing placement in indoor and outdoor environments, or in your own custom housing. CM-150 CA is compatible with third-party power supplies, so you can purchase the power supplies that work best for your installation.
- Available with 3-wire or 4-wire output—3-wire output is a cost-effective option for shorter runs of up to 7.6 m (25 ft) from the CM-150 CA to your Flex strands. 4-wire output offers more flexibility of placement and can be used in runs of up to 30.5 m (100 ft) from the CM-150 CA to your Flex strands. Longer leader cables are available for custom configurations.
- Compatible with ActiveSite—CM-150 CA is designed to work with ActiveSite from Color Kinetics. With ActiveSite, you can check the devices on your lighting network right from your web browser. And because ActiveSite knows the status of your control module, you can instantly pinpoint a problematic CM-150 CA or attached LED nodes from anywhere in the world.
- DMX and Ethernet input and output—CM-150 CA can accept DMX or Ethernet data. DMX and Ethernet output ports allow for daisy-chaining of control modules.

For more information, please refer to [www.colorkinetics.com/ls/pds/cm150ca/](http://www.colorkinetics.com/ls/pds/cm150ca/)

# Specifications

Due to continuous improvements and innovations, specifications may change without notice.

## Electrical

Input Voltage	7.5 or 12 VDC
Fuse Rating	(2) 5 A, fast blow fuses
Power Consumption	3 W at 7.5 or 12 VDC
Power Output	60 W maximum at 7.5 VDC, or 96 W maximum at 12 VDC

## Connections

Data Input Source	Color Kinetics full range of controllers, including Light System Manager, Video System Manager Pro, iPlayer 3, Antumbra iColor Keypad, and ColorDial Pro, or third-party controllers
Power Input	V+ and GND terminal block†
Power/Data Output	(2) V+, GND, Data+, and Data- terminal blocks†
Data Input/Output	Double-pair, double-entry IDC connectors‡

† Terminal block connectors accept wire sizes from 0.5 to 2.1 mm<sup>2</sup> (14 to 20 AWG).

‡ IDC connectors accept wire sizes from 0.326 to 0.129 mm<sup>2</sup> (22 to 26 AWG).

## Physical

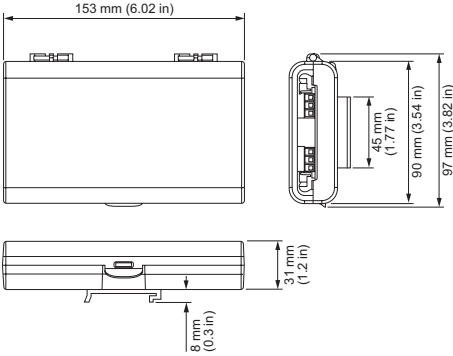
Dimensions <i>(Height x Width x Depth)</i>	153 x 97 x 31 mm (6 x 3.8 x 1.2 in)
Weight	0.2 kg (0.4 lb)
Housing	Plastic housing
Mounting	DIN rail mountable
Operating Temperature	-30 to 50 °C (-22 to 122 °F)
Startup Temperature	-20 to 50 °C (-4 to 122 °F)
Storage Temperature	-40 to 70 °C (-40 to 158 °F)
Humidity	0 to 95%, non-condensing
Cooling	Convection

## Certification and Safety

Certification	UL/cUL Recognized, CE
Environment	Dry Location, IP00



# Dimensions



# Part Numbers

Use Item Number when ordering in North America.

## Control Module

	Item Number	Item 12NC
CM-150 CA DIN Rail Mount, Three-Wire Terminal, 7.5/12V, IP00 <i>7.5 or 12 V power supply must be ordered separately from a third party manufacturer.</i>	109-000033-03	912400135769

## Leader Cables

Flex SLX Adapter, 3-Wire, 305 mm (1 ft)	108-000084-00	912400135913
Leader Cable, 3-Wire, 305 mm (1 ft)	108-000081-01	912400136051
Leader Cable, 3-Wire, 7.6 m (25 ft)	108-000081-00	912400135909



© 2019 Signify Holding. All rights reserved. Specifications are subject to change without notice. No representation or warranty as to the accuracy or completeness of the information included herein is given and any liability for any action in reliance thereon is disclaimed.

Color Kinetics  
[www.colorkinetics.com](http://www.colorkinetics.com)