

Date: _____
Type: _____
Firm Name: _____
Project: _____

PDS-400 48 V CA4

Ethernet, UL

POWER/DATA SUPPLY

High-wattage outdoor-rated power and data supply for large scale architectural and media applications

PDS-400 48 V CA4 delivers integrated data and power to intelligent color and tunable white LED lighting fixtures. PDS-400 48 V CA4 is the single solution for all large scale outdoor FlexElite installations, whether color or white.



- Easy installation—Accessible, clearly labeled terminal block connectors for Ethernet, line voltage, and luminaires make installation easy. Tethered cover with captive screws ensures convenient removal and replacement.
- Supports FlexElite luminaires—PDS-400 48 V CA4 merges line voltage and control data, delivering power and data to luminaires over a single cable, dramatically simplifying installation and lowering total system cost. PDS-400 48 V CA4 supports the IEEE 802.3at standard, delivering up to 30 W of power to compatible Power over Ethernet (PoE) accessories.
- Longer run lengths—PDS-400 48 V CA4 provides Chromasic gen4 input to luminaires, supporting runs of up to 100 m (328 ft) per output port, (4 output ports per PDS-400 48 V CA4) with up to 160 nodes per run.
- Integrated test button and effects—PDS-400 48 V CA4 features an onboard button for testing LED nodes, even before fully installing your control system. Press the button to instantly show a color wash on attached FlexElite nodes, confirming that your devices are working as expected. Press the button again, and the nodes will resume normal operation. On-board indicator LEDs provide visual feedback for normal operation, DMX and Ethernet connection detection, and Ethernet data transmission. PDS-400 48 V CA4 also has a built-in fixed-color effect for use with simple 0-10 V control systems.
- Replaceable power supply—PS-600 48 V can be easily installed to replace the power supply of any existing PDS-400 48 V CA4 device without the need to remove the entire PDS-400 48 V CA4 device.
- Outdoor-rated for use in damp and wet environments—PDS-400 48 V CA4 offers superior leakage protection in a cast aluminum, IP66-rated enclosure.
- Multiple conduit entries—PDS-400 48 V CA4 conduit entries accommodate NPT conduit in US trade sizes of 1/2 in and 3/4 in, or metric sizes of PG13.5 and PG16.
- Universal power input range—PDS-400 48 V CA4 automatically senses line voltages ranging from 100 to 277 VAC and passes line voltages through AC daisy chain to all connected PDS-400 48 V CA4 devices.
- ActiveSite integration—ActiveSite is the first ever cloud-hosted connected lighting system for architectural LED lighting installations. ActiveSite allows you to remotely monitor, manage, and maintain an installation site from anywhere in the world, using a secure web connection.
- Expanded dimming flexibility—PDS-400 48 V CA4 expands compatibility of FlexElite luminaires to virtually any architectural 0-10 V source.

For more information, please refer to www.colorkinetics.com/ls/pds/pds400-CA4/

Specifications

Due to continuous improvements and innovations, specifications may change without notice.

Electrical

Input Voltage	100 to 277 VAC, auto-ranging, 50/60 Hz
Maximum Input Current	16 A maximum
Load Current	8.5 A

Connections

Threaded Openings	3/4 in NPT for power, 1/2 in NPT for data
-------------------	---

Data Input Source
Color Kinetics full range of controllers, including Light System Manager, Video System Manager Pro, iPlayer 3, Antumbra iColor Keypad, and ColorDial Pro, or third-party controllers

Power Input	3-wire terminal block connector†
Power Output	2-wire terminal block connector†
Data Input	2-wire terminal block connector (0-10V)†
Data Input/Output	2x 4-wire terminal block connector (DMX)†
	2x 4-wire terminal block connector (Ethernet)†
	Shielded 8P8C (RJ45) connector (PoE Port)
Data Output	3-wire terminal block connector

Compatible Luminaires

FlexElite

† Terminal block connectors accept wire sizes from 0.2 to 1.5 mm² (24 to 16 AWG) for 2-wire and 2x 4-wire, and 0.2 to 6 mm² (24 to 10 AWG) for 3-wire.

Physical

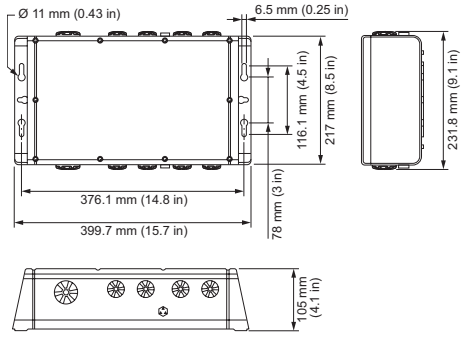
Dimensions <i>(Height x Width x Depth)</i>	105 x 232 x 400 mm (4 x 9 x 15 in)
Weight	9 kg (19.8 lb)
Housing	Cast aluminium enclosure
Mounting	Slots for surface mounting
Finish	Powder-coated industrial gray matte
Associated Product Family	FlexElite
Operating Temperature	-40 to 50 °C (-40 to 122 °F)
Startup Temperature	-20 to 50 °C (-20 to 122 °F)
Storage Temperature	-40 to 80 °C (-40 to 176 °F)
Humidity	0 to 95%, non-condensing
Cooling	Convection

Certification and Safety

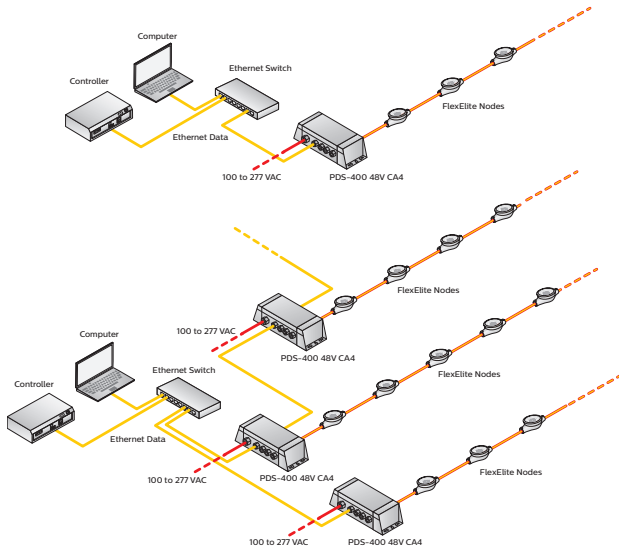
Certification	UL/cUL, FCC Class A, RCM
Environment	Dry/Damp/Wet Location, IP66



Dimensions



Ethernet Configuration



Part Numbers

Use Item Number when ordering in North America.

Power/Data Supply

PDS-400 48 V CA4 Ethernet, UL

Item Number

109-000035-00

Item 12NC

912400135914

Replacement Part

PS-600 48V Replacement Power Supply

109-000220-00

912400133803



© 2019 Signify Holding. All rights reserved. Specifications are subject to change without notice. No representation or warranty as to the accuracy or completeness of the information included herein is given and any liability for any action in reliance thereon is disclaimed.

Color Kinetics
www.colorkinetics.com