

Date: _____
Type: _____
Firm Name: _____
Project: _____

Multi-Protocol Converter

CONTROLLER

Compact lighting protocol converter

Multi-Protocol Converter is a compact device that performs a range of lighting protocol conversions, including KiNET, the Ethernet lighting protocol from Color Kinetics, to DMX512, DMX512 to KiNET, and RS232 to KiNET. KiNET to DMX512 conversion lets you use DMX-based power / data supplies with any KiNET-based device, including ColorDial Pro, a wall-mounted lighting controller from Color Kinetics, while RS232 to KiNET conversion lets you trigger KiNET-based devices such as Light System Manager with third-party controllers.



- Power over Ethernet for increased flexibility — The IEEE 802.3af standard for Power over Ethernet (PoE) enables both electrical power and data to be transmitted over a single twisted-pair cable. Shared cabling reduces installation costs, decreases the space required for wires, and affords freedom of placement by eliminating wiring to a power source. Multi-Protocol Converter works with the PoE-compliant switch or PoE injector offered by Color Kinetics, or with any PoE-compliant switch or injector.
- Easy to use — Multi-Protocol Converter uses standard RJ45 connectors to connect to both DMX-based power/data supplies from Color Kinetics and PoE-compliant switches.
- Ultra-compact design — Multi-Protocol Converter weighs 0.15 kg (0.34 lbs) and has a form factor of 32 x 114 x 89 mm (1.25 x 4.5 x 3.5 in).
- Compatible with other PoE-compliant devices from Color Kinetics — ColorDial Pro offers control of a complete DMX universe of 170 unique addresses, six onboard effects, and eight configurable scenes. Ethernet Controller Keypad remotely triggers scenes, adjusts luminaire brightness from 0% to 100%, and turns connected luminaires on and off.

For more information, please refer to
www.colorkinetics.com/ls/controllers/multiprotocol/

Specifications

Due to continuous improvements and innovations, specifications may change without notice.

Control

| | |
|------------------|--|
| Ethernet | 10BASE-T from any PoE- or IEEE 802.3af-compliant Ethernet switch. PoE injector required for use with non-IEEE 802.3af-compliant switches |
| Network Protocol | Bi-directional KiNET* / DMX512 communication |
| Data Connector | RJ45 connectors for KiNET input and DMX512 output |

* KiNET is the Ethernet lighting protocol from Color Kinetics.

Physical

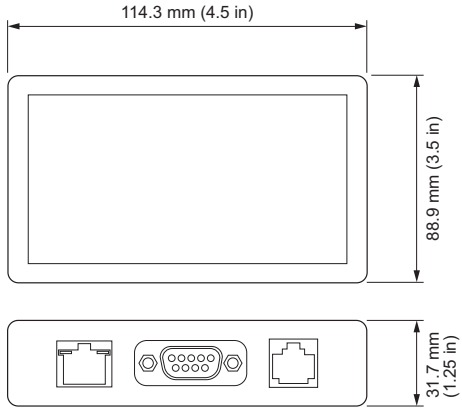
| | |
|---|--|
| Dimensions <i>(Height x Width x Depth)</i> | 32 x 114 x 89 mm (1.25 x 4.5 x 3.5 in) |
| Weight | 0.15 kg (0.34 lb) |
| Operating Temperature | -10 to 40 °C (14 to 104 °F) |
| Humidity | 0 to 95%, non-condensing |

Certification and Safety

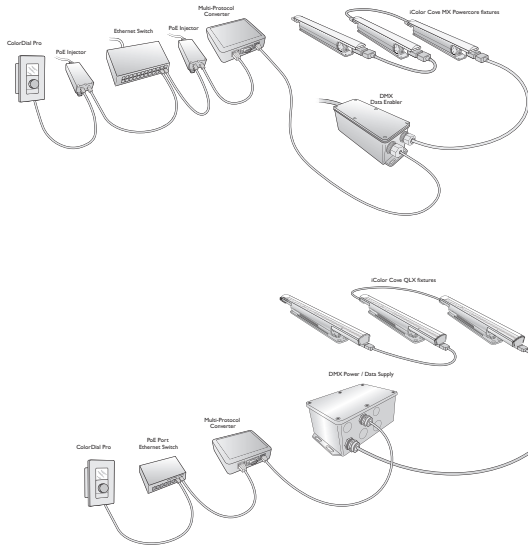
| | |
|---------------|-------------------------|
| Certification | FCC Class A, CE |
| Environment | Dry/Damp Location, IP40 |



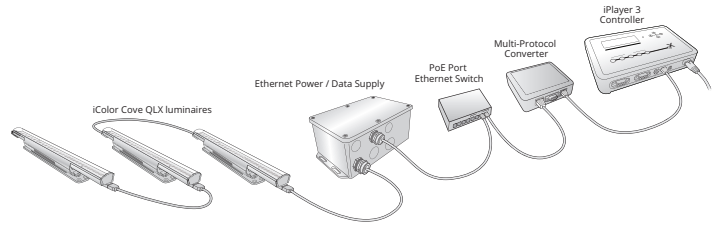
Dimensions



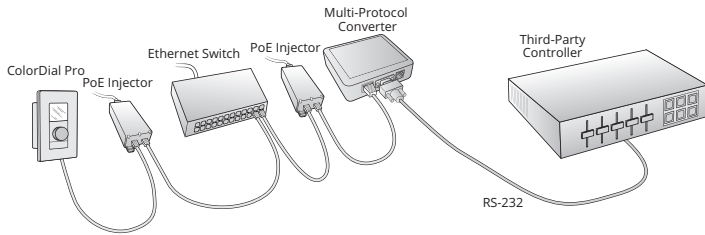
KiNET to DMX



DMX to KiNET



Third-Party Controller to RS-232 to ColorDial Pro



Controllers and Accessories

Use Item Number when ordering in North America.

| Controller | Item Number | Item 12NC |
|--|---------------|--------------|
| Multi-Protocol Converter | 104-000015-00 | 910503701414 |
| <i>Multi-Protocol Converter, Installation Instructions</i> | | |
| Accessories | | |
| Power over Ethernet Switch, 4 Power over Ethernet ports, 8 ports total | 120-000084-01 | 910503702557 |
| Power over Ethernet Injector, North America Power Cord | 109-000029-00 | 910503700383 |
| Power over Ethernet Injector, Europe Power Cord | 109-000029-01 | 910503700384 |
| XLR to RJ45 Adaptor, Data Cable Adaptor | 104-000005-00 | 910503700061 |



© 2019 Signify Holding. All rights reserved. Specifications are subject to change without notice. No representation or warranty as to the accuracy or completeness of the information included herein is given and any liability for any action in reliance thereon is disclaimed.

Color Kinetics
www.colorkinetics.com