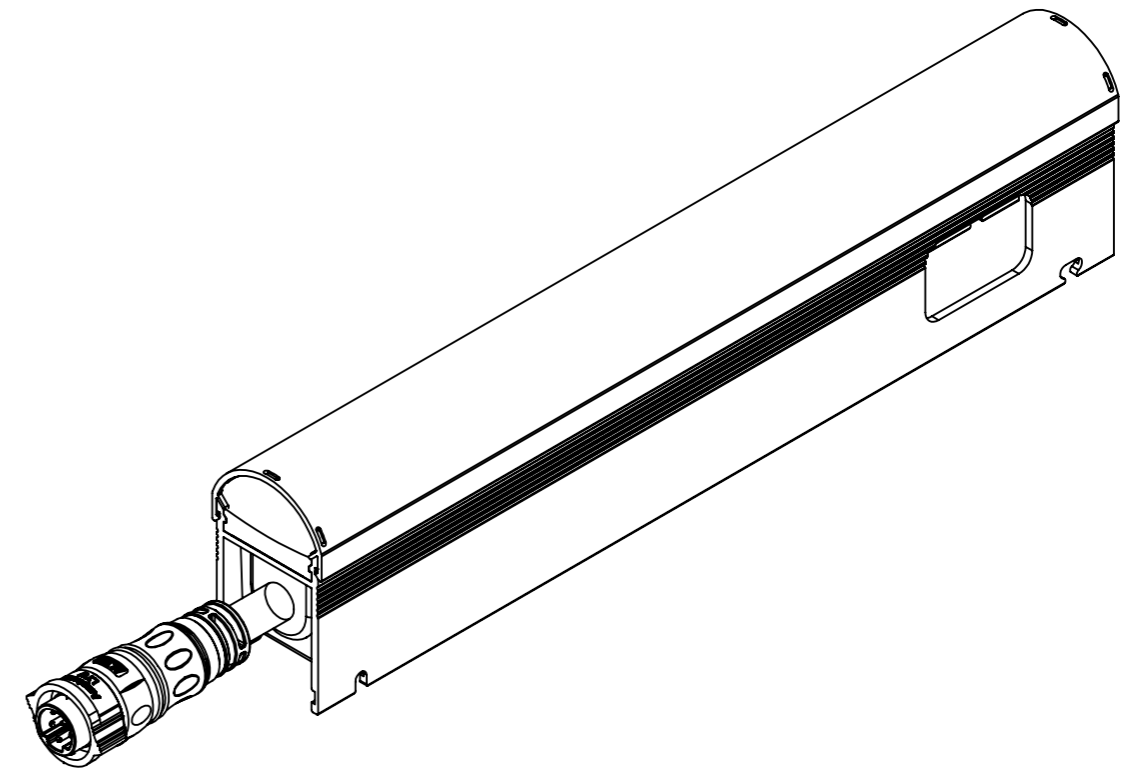
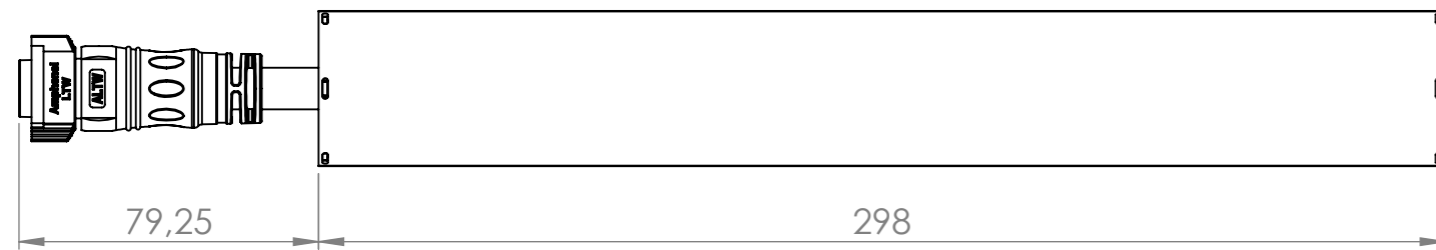
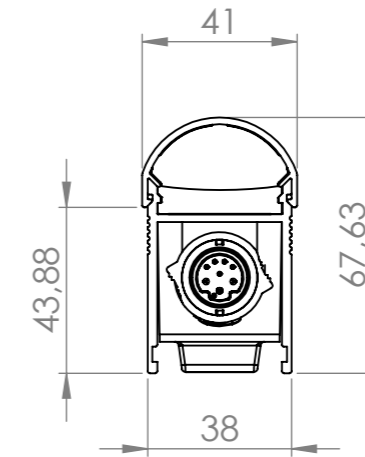
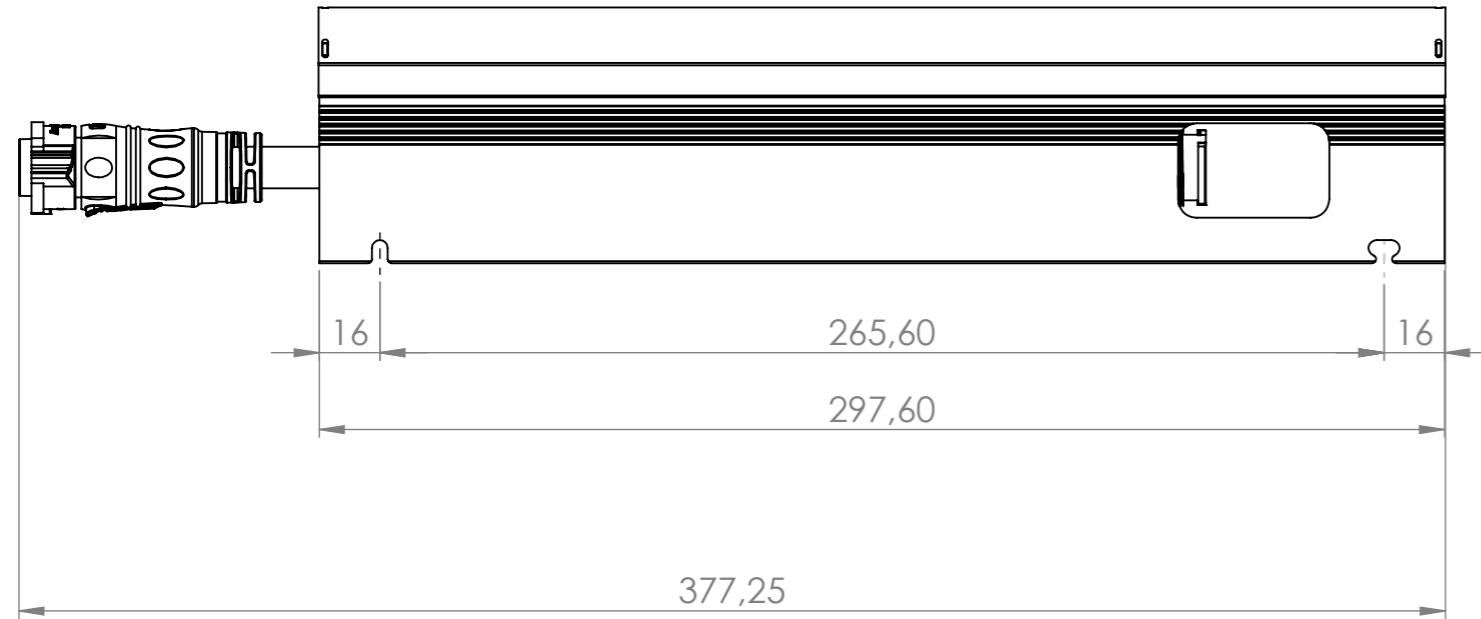


REVISIONS				
REV.	DESCRIPTION	ECO	DATE	CHANGED BY



	All Dimensions are in mm	DEBURR AND BREAK SHARP EDGES	
		TOLERANCE:	
MATERIAL:	TITLE:	<b>VPL305-20, AG</b>	
FINISH:	DWG NO.	<b>60080052-D_With Opal lens enclosed</b>	
WEIGHT IN GRAMS:	FIRST USED IN:	DO NOT SCALE DRAWING	SCALE: 1:2 SHEET FORMAT: A3 SHEET 1 OF 1