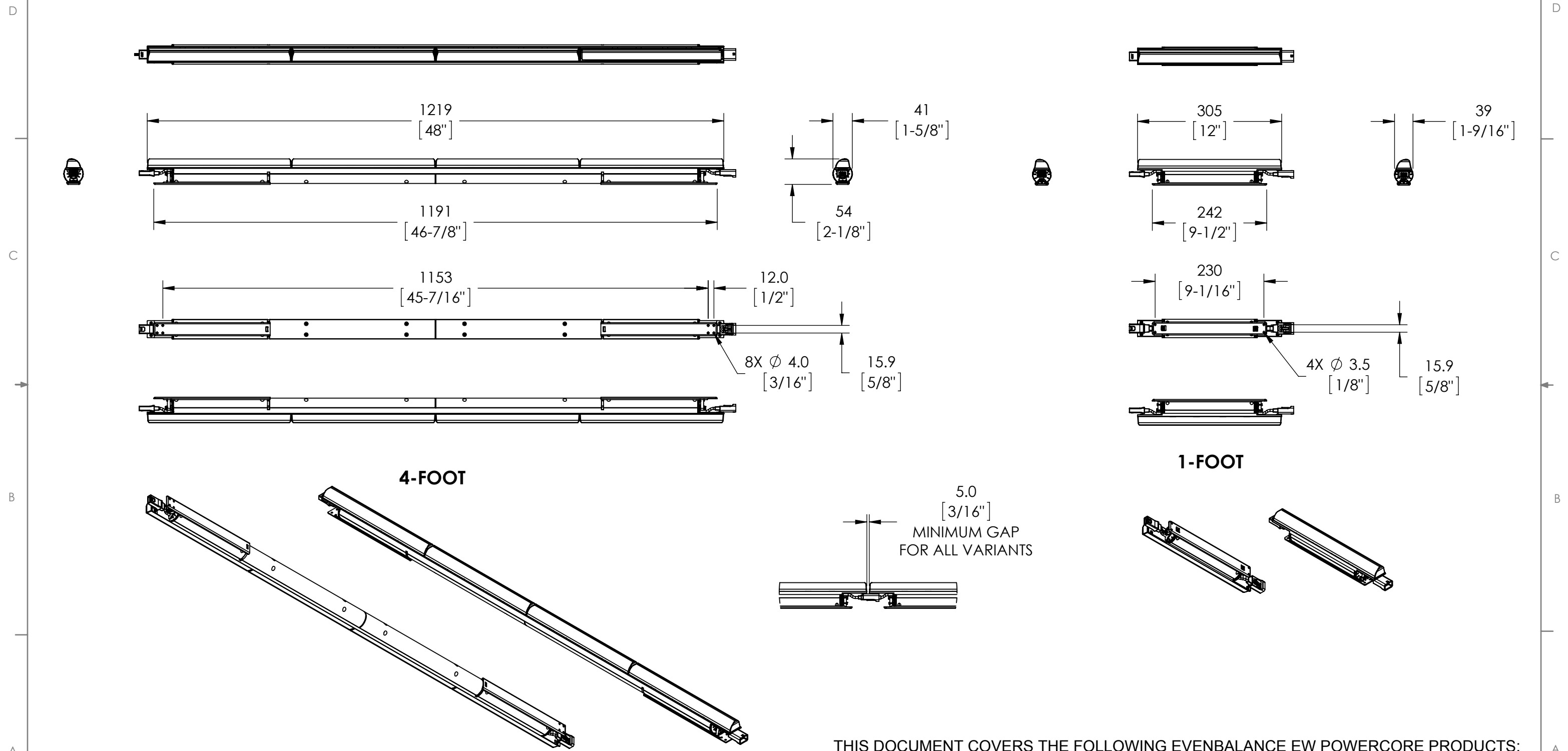


REVISIONS					
ZONE	REV.	ECO	DESCRIPTION	DATE	APPROVED
	00	010364	RELEASE	12/21/2015	Z.WESSNER



THIS DOCUMENT COVERS THE FOLLOWING EVENBALANCE EW POWERCORE PRODUCTS:
 - EVENBALANCE EW GRAZING POWERCORE (1 AND 4 FOOT)
 - EVENBALANCE EW WASHING POWERCORE (1 AND 4 FOOT)

PROPRIETARY AND CONFIDENTIAL
 THE INFORMATION CONTAINED IN THIS DRAWING IS THE SOLE PROPERTY OF PHILIPS COLOR KINETICS, INC. ANY REPRODUCTION IN PART OR AS A WHOLE WITHOUT THE WRITTEN PERMISSION OF PHILIPS COLOR KINETICS, INC. IS PROHIBITED.

PHILIPS COLOR KINETICS
 PHILIPS COLOR KINETICS, INC. www.philips.com
 3 Burlington Woods Dr. Burlington MA 01803
 TEL: 888-385-5742 FAX: 617-338-0454

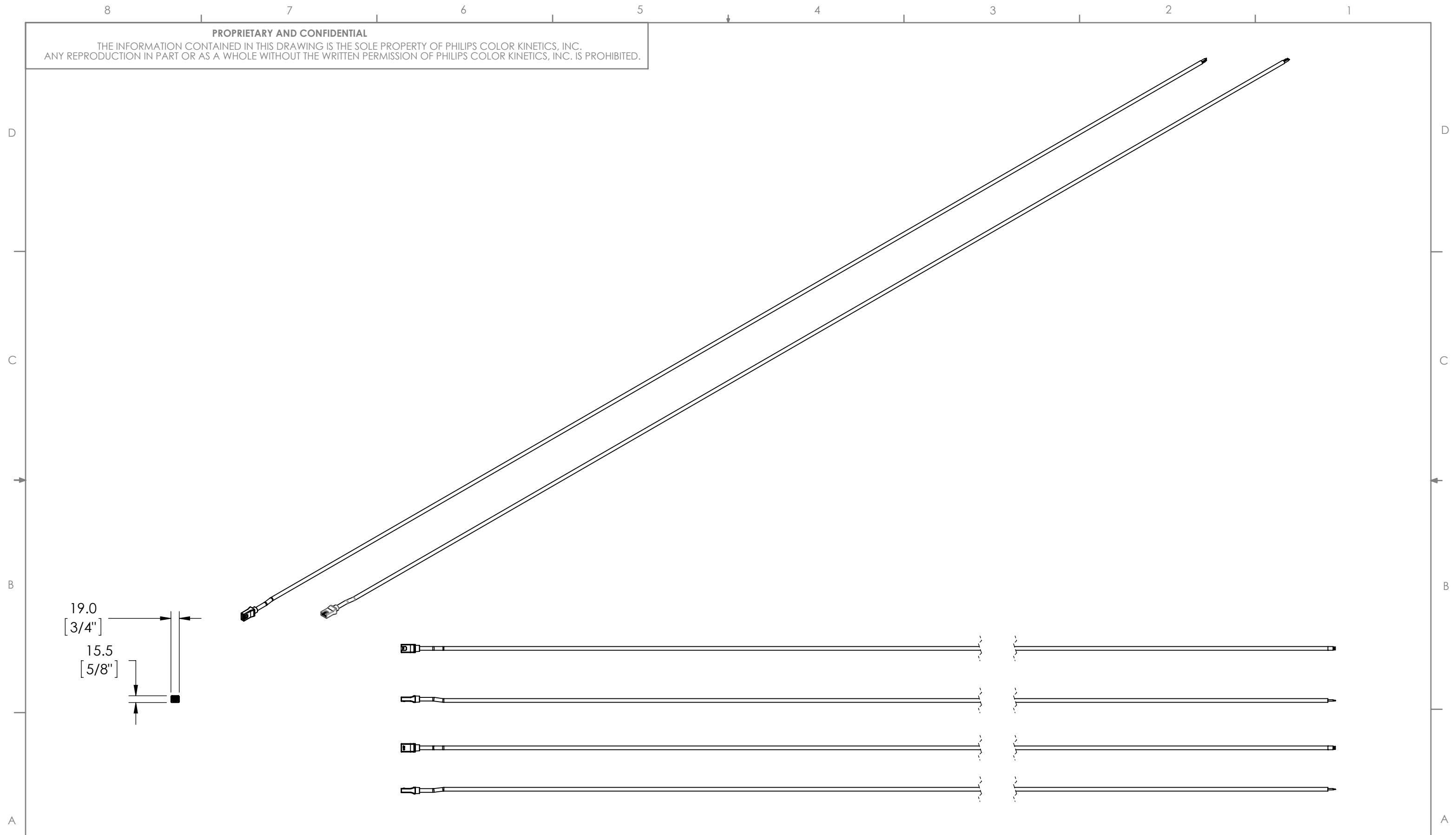
MATERIAL	SEE NOTES
FINISH	SEE NOTES
DRAWN	DATE
ZACHARY WESSNER	12/22/2015
CHECKED	DATE

-UNLESS OTHERWISE SPECIFIED-
 DIMENSIONS ARE IN MILLIMETERS
 INTERPRET GEOMETRIC TOLERANCING PER: ANSI Y14.5M
 TOLERANCES:
 ANGLE ± 1°
 DECIMAL
 .X ±0.5 mm
 .XX ±0.25 mm
 .XXX ±0.125 mm
 THIRD ANGLE PROJECTION

DESCRIPTION
EVENBALANCE EW POWERCORE, PRODUCT DOCUMENT DRAWING

SIZE	DWG. NO.	REV
B	PDD-000128-50	00
FILE NAME	DO NOT SCALE DRAWING	SHEET 1 OF 3
	SCALE 1:1	

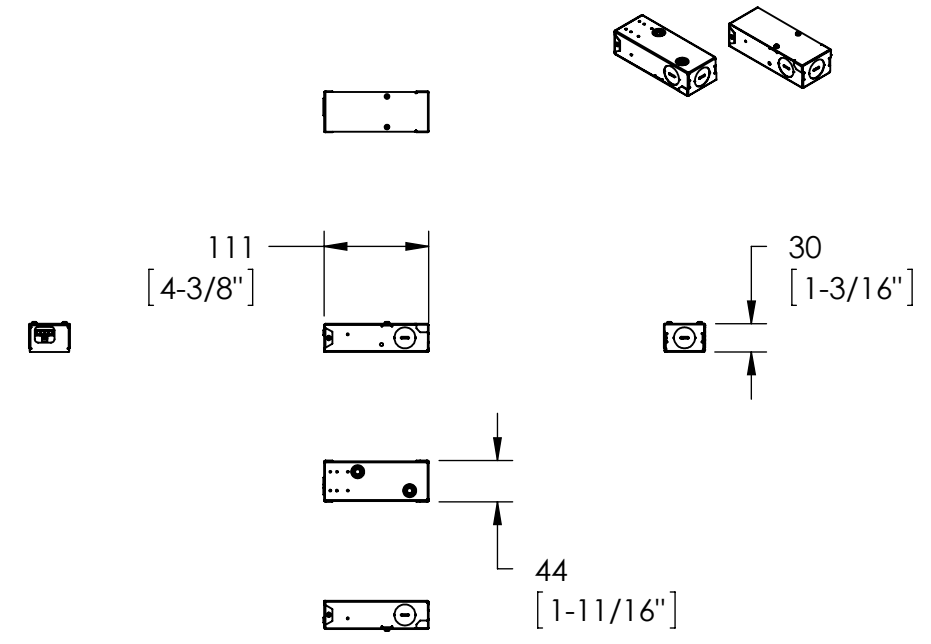
PROPRIETARY AND CONFIDENTIAL
 THE INFORMATION CONTAINED IN THIS DRAWING IS THE SOLE PROPERTY OF PHILIPS COLOR KINETICS, INC.
 ANY REPRODUCTION IN PART OR AS A WHOLE WITHOUT THE WRITTEN PERMISSION OF PHILIPS COLOR KINETICS, INC. IS PROHIBITED.



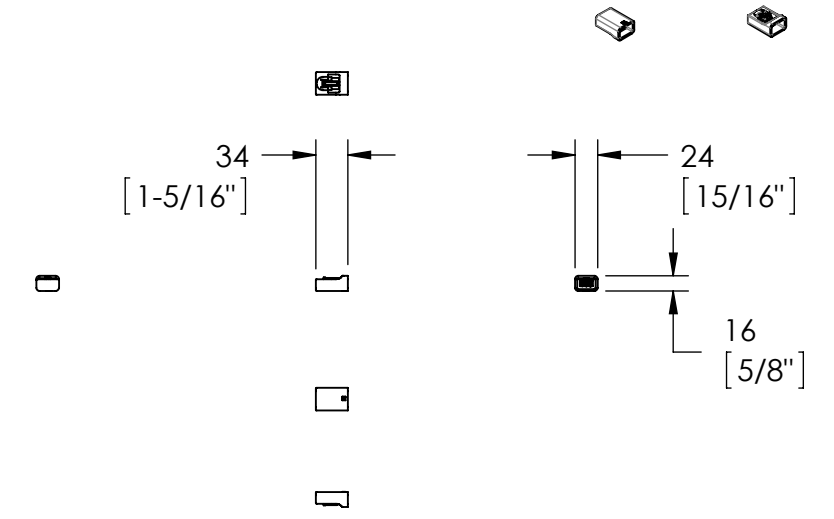
EVENBALANCE EW POWERCORE, LEADER CABLE

 	DESCRIPTION EVENBALANCE EW POWERCORE, PRODUCT DOCUMENT DRAWING		SIZE B	DWG. NO. PDD-000128-50	REV 00
	FILE NAME		DO NOT SCALE DRAWING SCALE 1:1		SHEET 2 OF 3

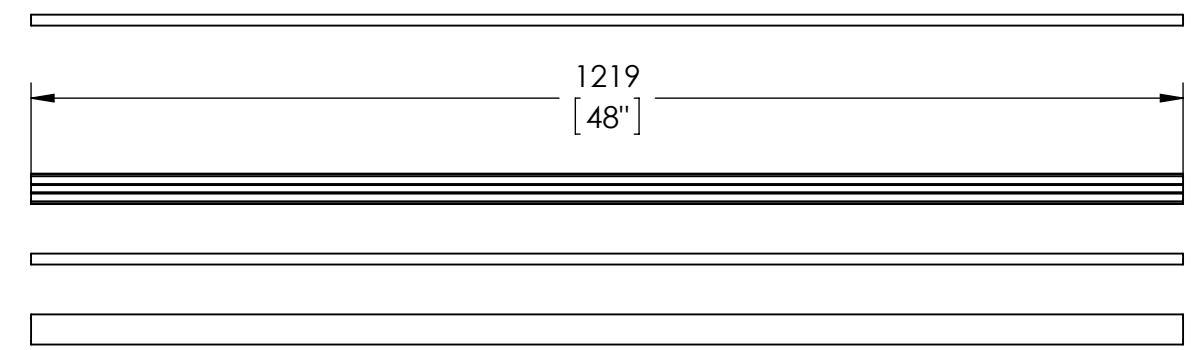
PROPRIETARY AND CONFIDENTIAL
 THE INFORMATION CONTAINED IN THIS DRAWING IS THE SOLE PROPERTY OF PHILIPS COLOR KINETICS, INC.
 ANY REPRODUCTION IN PART OR AS A WHOLE WITHOUT THE WRITTEN PERMISSION OF PHILIPS COLOR KINETICS, INC. IS PROHIBITED.



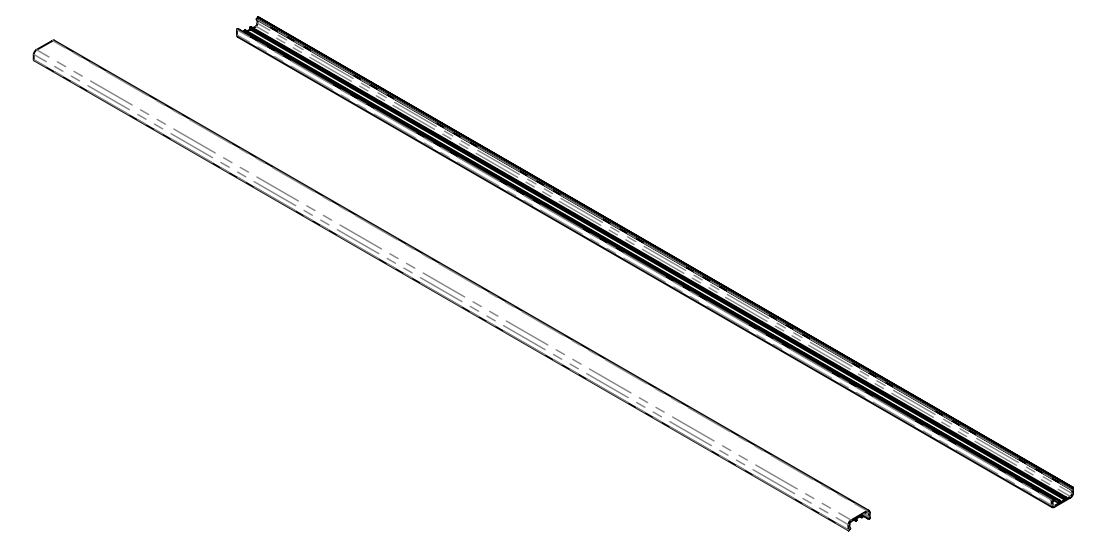
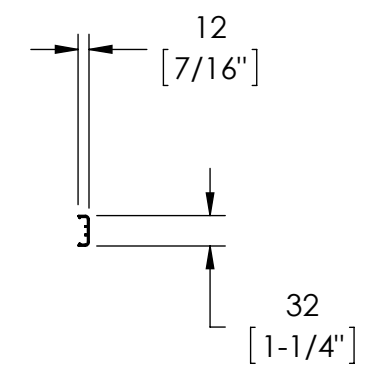
**EVENBALANCE EW POWERCORE,
 WIRING COMPARTMENT**



**EVENBALANCE EW POWERCORE,
 TERMINATOR**



**EVENBALANCE EW POWERCORE,
 TRACK**



	DESCRIPTION	SIZE	DWG. NO.	REV
	EVENBALANCE EW POWERCORE, PRODUCT DOCUMENT DRAWING	B	PDD-000128-50	00
<small>FILE NAME</small>		<small>DO NOT SCALE DRAWING</small> <small>SCALE 1:1</small>		<small>SHEET 3 OF 3</small>