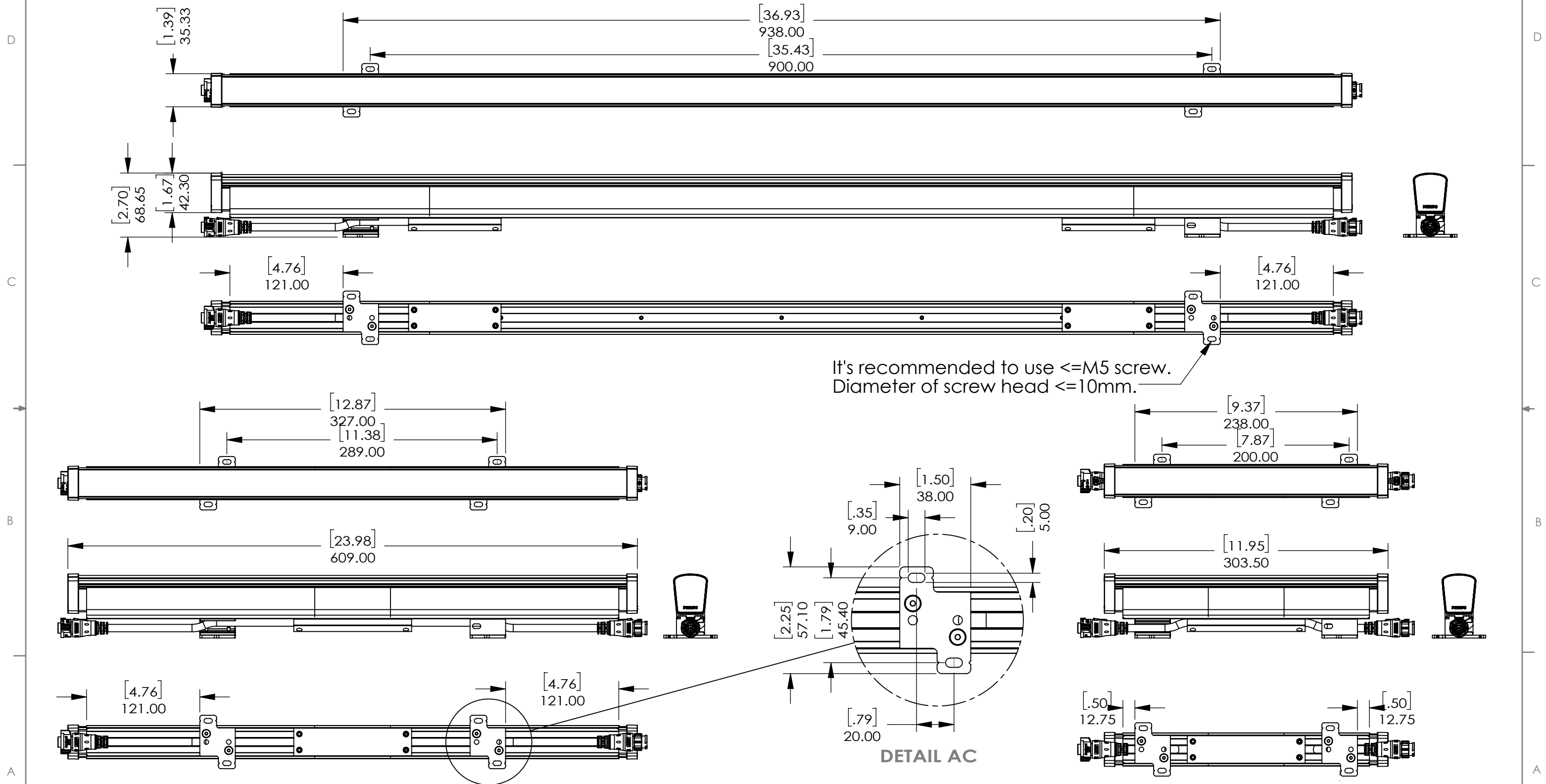


Front mounting

REVISIONS					
ZONE	REV.	ECO	DESCRIPTION	DATE	APPROVED
	00	010100	INITIAL RELEASE	2015/11/03	Kevin Jing



PROPRIETARY AND CONFIDENTIAL
THE INFORMATION CONTAINED IN THIS DRAWING IS THE SOLE PROPERTY OF PHILIPS COLOR KINETICS, INC. ANY REPRODUCTION IN PART OR AS A WHOLE WITHOUT THE WRITTEN PERMISSION OF PHILIPS COLOR KINETICS, INC. IS PROHIBITED.

PHILIPS COLOR KINETICS
PHILIPS COLOR KINETICS, INC. www.philips.com
3 Burlington Woods Dr. Burlington MA 01803
TEL: 888-385-5742 FAX: 617-338-0454

MATERIAL	SEE NOTES
FINISH	SEE NOTES
DRAWN	DATE
CHECKED	DATE
	2014-05-21

-UNLESS OTHERWISE SPECIFIED-
DIMENSIONS ARE IN MILLIMETERS (INCHES)
INTERPRET GEOMETRIC TOLERANCING PER: ANSI Y14.5M

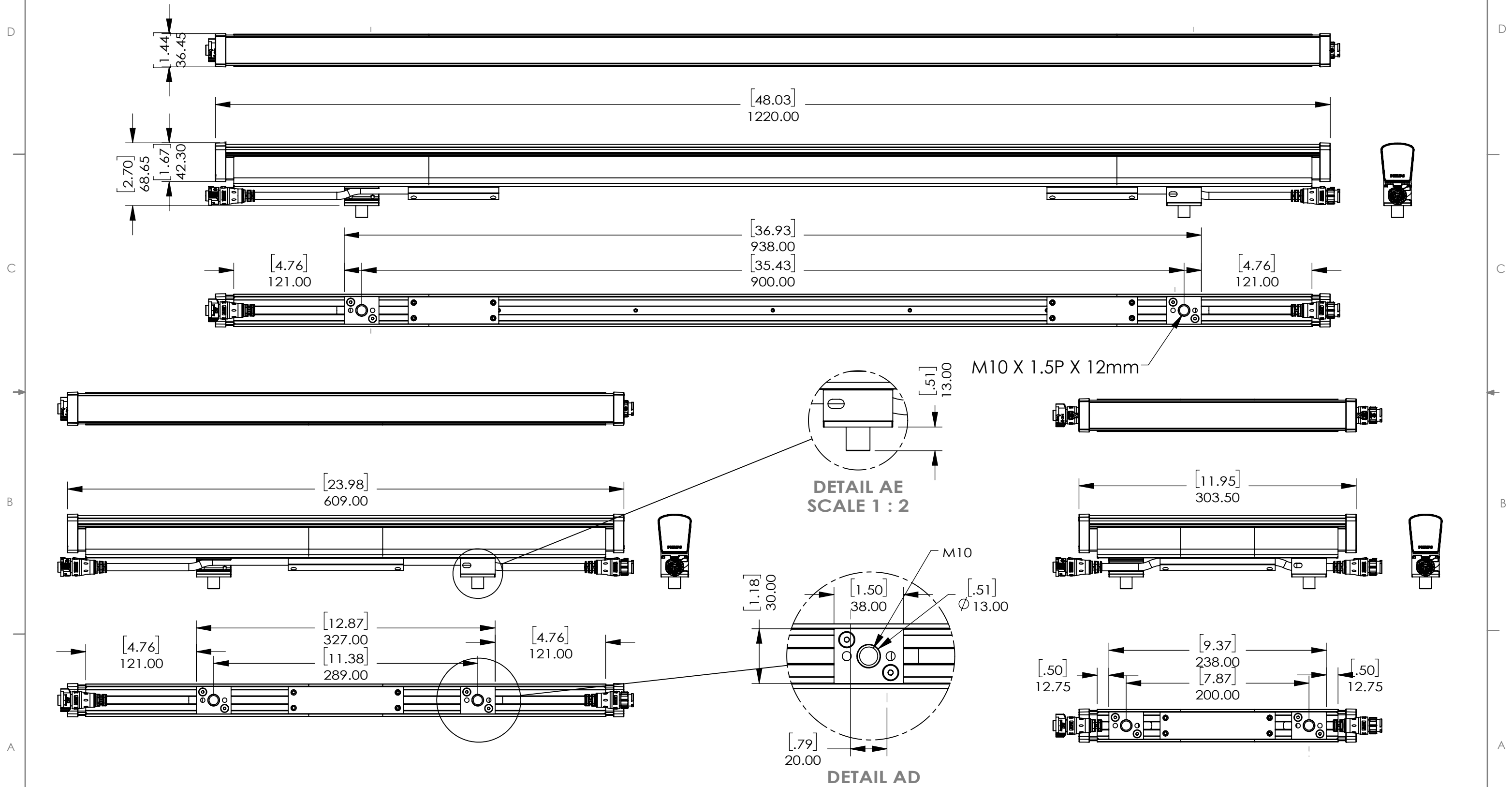
TOLERANCES: ANGLE DECIMAL
X ±0.5 mm
.XX ±0.25 mm
.XXX ±0.125 mm

THIRD ANGLE PROJECTION

DESCRIPTION
ACCENT EC, FLAT LENS, PRODUCT DOCUMENT DRAWING

SIZE	DWG. NO.	REV
B	PDD-000127-00	00
FILE NAME	DO NOT SCALE DRAWING	SHEET 1 OF 5
	SCALE 1:4	

Rear mounting



PROPRIETARY AND CONFIDENTIAL
 THE INFORMATION CONTAINED IN THIS DRAWING IS THE SOLE PROPERTY OF PHILIPS COLOR KINETICS, INC. ANY REPRODUCTION IN PART OR AS A WHOLE WITHOUT THE WRITTEN PERMISSION OF PHILIPS COLOR KINETICS, INC. IS PROHIBITED.

PHILIPS COLOR KINETICS
 PHILIPS COLOR KINETICS, INC. www.philips.com
 3 Burlington Woods Dr. Burlington MA 01803
 TEL: 888-385-5742 FAX: 617-338-0454

MATERIAL: SEE NOTES
 FINISH: SEE NOTES
 DRAWN: DATE
 CHECKED: DATE
 2014-05-21

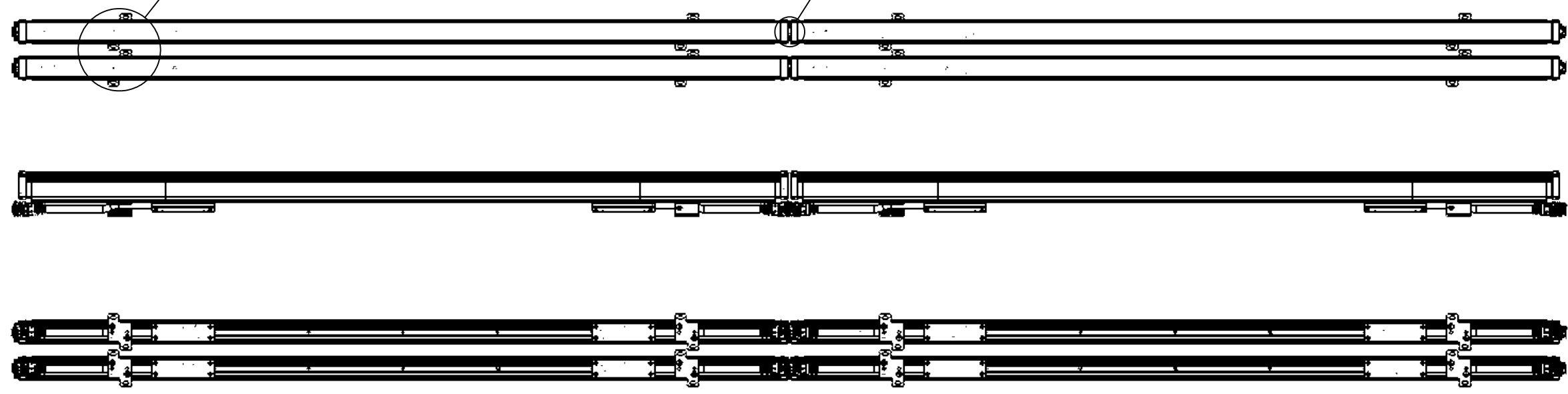
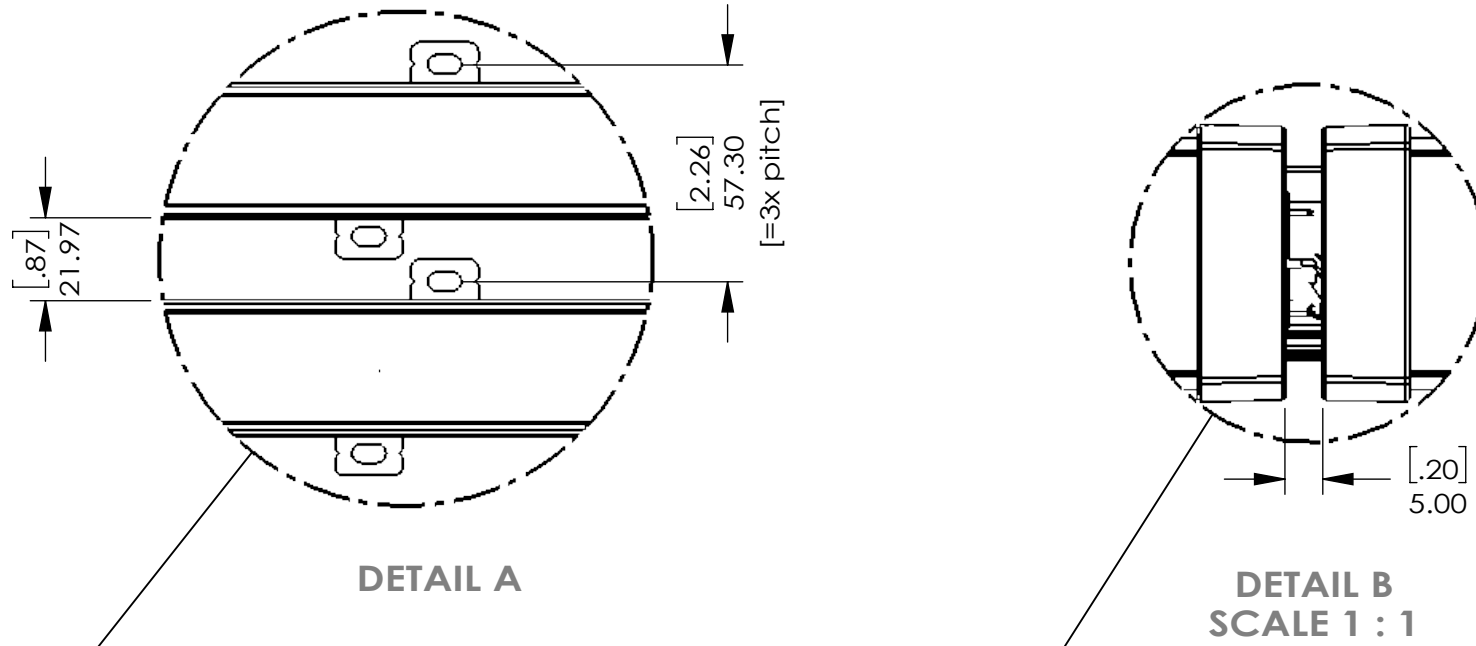
-UNLESS OTHERWISE SPECIFIED-
 DIMENSIONS ARE IN MILLIMETERS [INCHES]
 INTERPRET GEOMETRIC TOLERANCING PER: ANSI Y14.5M
 TOLERANCES: ANGLE DECIMAL
 X ±0.5 mm
 .XX ±0.25 mm
 .XXX ±0.125 mm
 THIRD ANGLE PROJECTION

DESCRIPTION
ACCENT EC, FLAT LENS, PRODUCT DOCUMENT DRAWING

SIZE	DWG. NO.	REV
B	PDD-000127-00	00
FILE NAME	DO NOT SCALE DRAWING	SHEET 2 OF 5
SCALE 1:4		

PROPRIETARY AND CONFIDENTIAL
 THE INFORMATION CONTAINED IN THIS DRAWING IS THE SOLE PROPERTY OF PHILIPS COLOR KINETICS, INC.
 ANY REPRODUCTION IN PART OR AS A WHOLE WITHOUT THE WRITTEN PERMISSION OF PHILIPS COLOR KINETICS, INC. IS PROHIBITED.

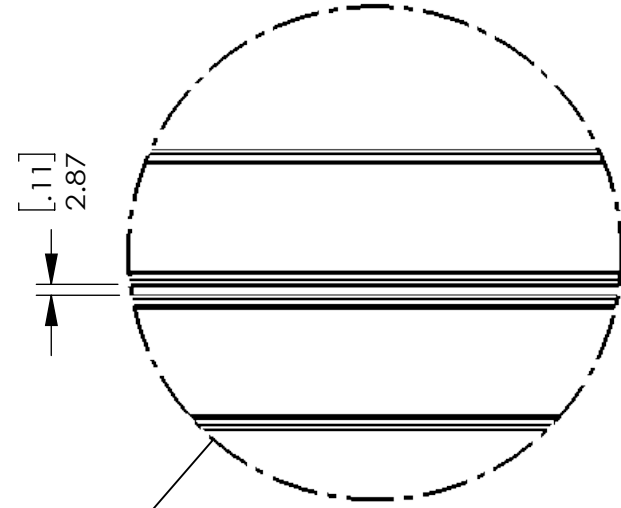
Front mounting



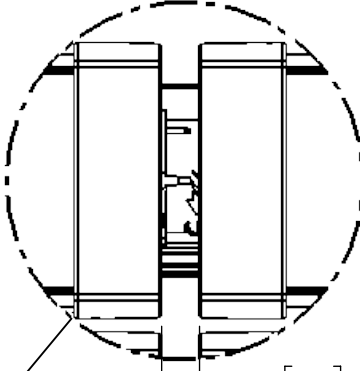
	DESCRIPTION	SIZE	DWG. NO.	REV
	ACCENT EC, FLAT LENS, PRODUCT DOCUMENT DRAWING	B	PPD-000127-00	00
FILE NAME		DO NOT SCALE DRAWING		
PDD-000127-00		SCALE 1:8		SHEET 3 OF 5

PROPRIETARY AND CONFIDENTIAL
 THE INFORMATION CONTAINED IN THIS DRAWING IS THE SOLE PROPERTY OF PHILIPS COLOR KINETICS, INC.
 ANY REPRODUCTION IN PART OR AS A WHOLE WITHOUT THE WRITTEN PERMISSION OF PHILIPS COLOR KINETICS, INC. IS PROHIBITED.

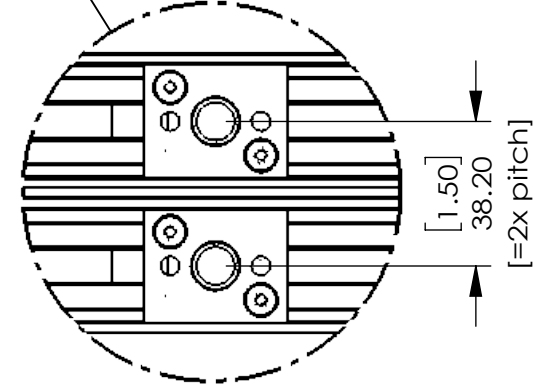
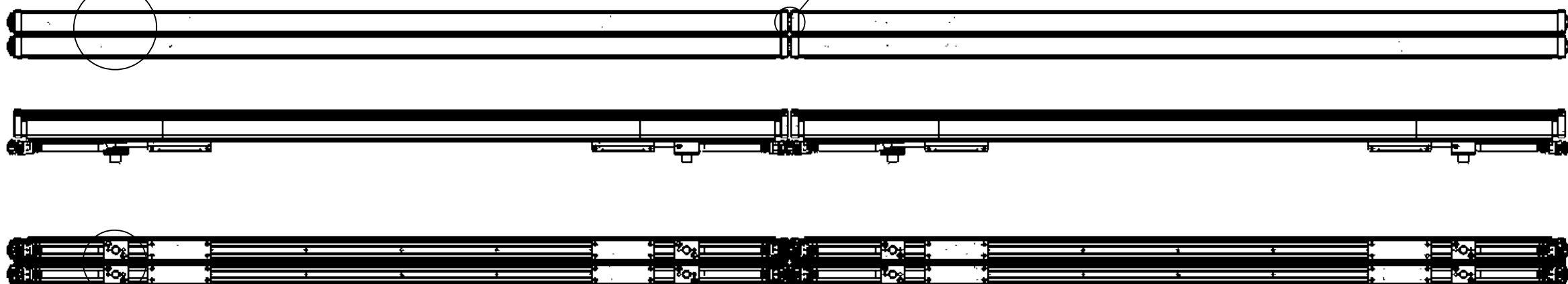
Rear mounting



DETAIL C



DETAIL D
SCALE 1 : 1



DETAIL E



DESCRIPTION
ACCENT EC, FLAT LENS, PRODUCT DOCUMENT DRAWING

SIZE	DWG. NO.	REV
B	PPD-000127-00	00
FILE NAME	DO NOT SCALE DRAWING	SHEET 4 OF 5
PDD-000127-00	SCALE 1:8	