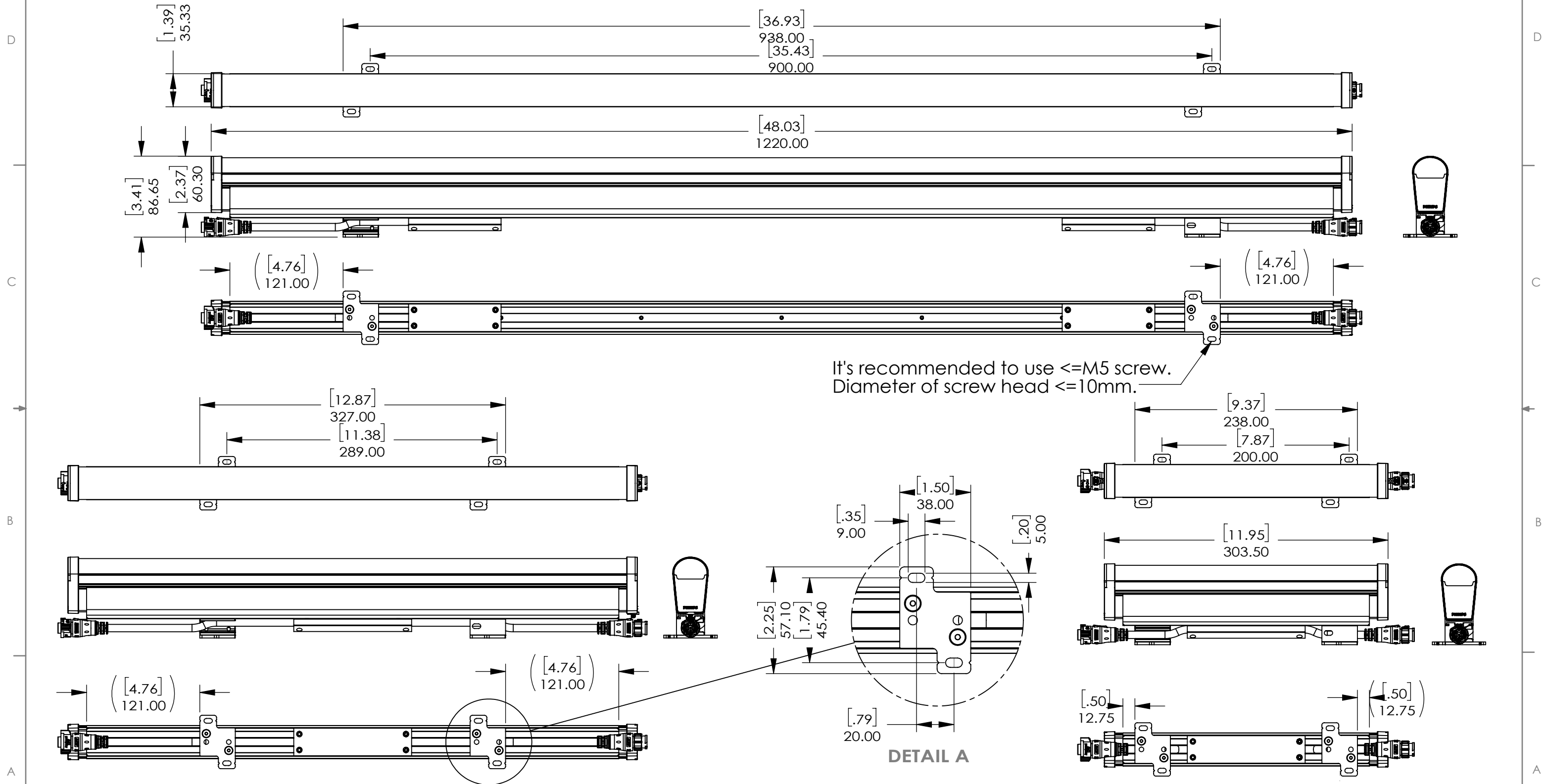


# Front mounting

REVISIONS					
ZONE	REV.	ECO	DESCRIPTION	DATE	APPROVED
	00	010100	INITIAL RELEASE	2015/11/03	Kevin Jing



**PROPRIETARY AND CONFIDENTIAL**  
THE INFORMATION CONTAINED IN THIS DRAWING IS THE SOLE PROPERTY OF PHILIPS COLOR KINETICS, INC. ANY REPRODUCTION IN PART OR AS A WHOLE WITHOUT THE WRITTEN PERMISSION OF PHILIPS COLOR KINETICS, INC. IS PROHIBITED.



MATERIAL	SEE NOTES
FINISH	SEE NOTES
DRAWN	DATE
CHECKED	DATE
	2014-05-21

-UNLESS OTHERWISE SPECIFIED-  
DIMENSIONS ARE IN MILLIMETERS (INCHES)  
INTERPRET GEOMETRIC TOLERANCING PER: ANSI Y14.5M

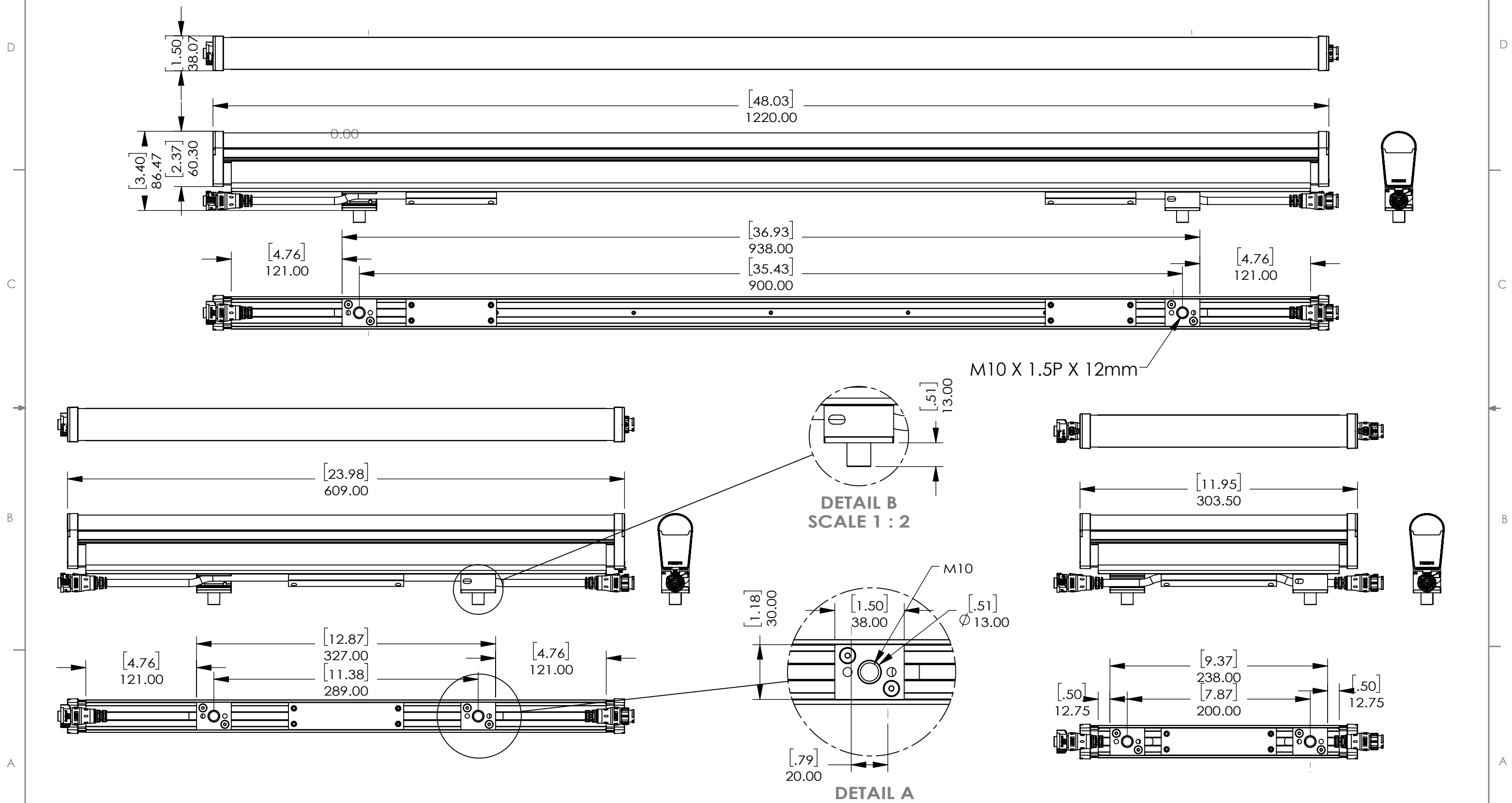
TOLERANCES: ANGLE DECIMAL  
X ±0.5 mm  
.XX ±0.25 mm  
.XXX ±0.125 mm

THIRD ANGLE PROJECTION

DESCRIPTION  
**ACCENT EC, DOME LENS,  
PRODUCT DOCUMENT DRAWING**

SIZE	DWG. NO.	REV
<b>B</b>	<b>PDD-000125-00</b>	<b>00</b>
FILE NAME	DO NOT SCALE DRAWING	SHEET 1 OF 4
	SCALE 1:4	

# Rear mounting



**PROPRIETARY AND CONFIDENTIAL**  
 THE INFORMATION CONTAINED IN THIS DRAWING IS THE SOLE PROPERTY OF PHILIPS COLOR KINETICS, INC. ANY REPRODUCTION IN PART OR AS A WHOLE WITHOUT THE WRITTEN PERMISSION OF PHILIPS COLOR KINETICS, INC. IS PROHIBITED.



MATERIAL	SEE NOTES
FINISH	SEE NOTES
DRAWN	DATE
CHECKED	DATE
	2014-05-21

-UNLESS OTHERWISE SPECIFIED-  
 DIMENSIONS ARE IN MILLIMETERS [INCHES]  
 INTERPRET GEOMETRIC TOLERANCING PER: ANSI Y14.5M

TOLERANCES: ANGLE DECIMAL  
 X ±0.5 mm  
 .XX ±0.25 mm  
 .XXX ±0.125 mm

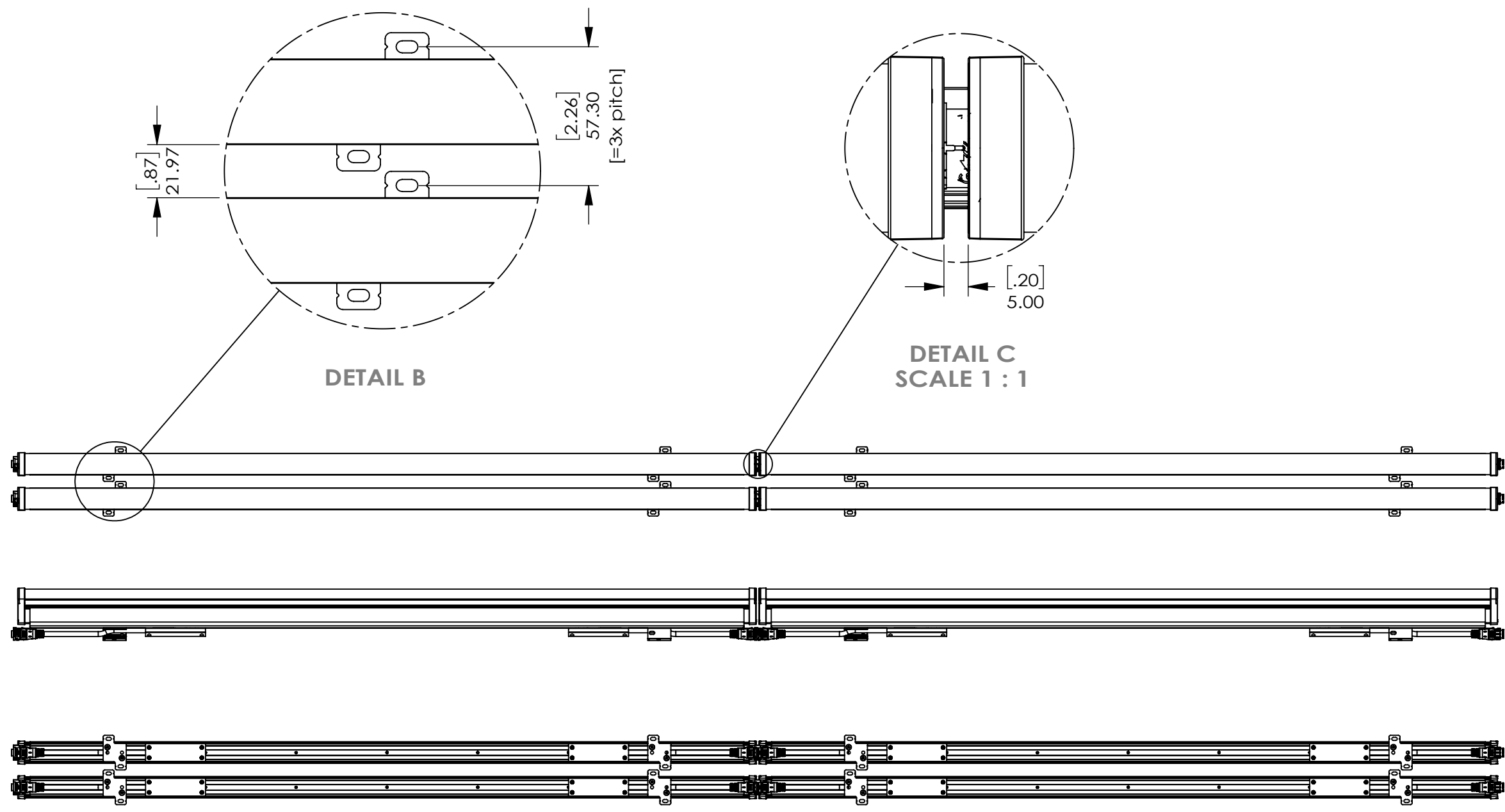
THIRD ANGLE PROJECTION

DESCRIPTION  
**ACCENT EC, DOME LENS,  
 PRODUCT DOCUMENT DRAWING**

SIZE	DWG. NO.	REV
<b>B</b>	<b>PDD-000125-00</b>	<b>00</b>
FILE NAME	DO NOT SCALE DRAWING	SCALE 1:4 SHEET 2 OF 4

**PROPRIETARY AND CONFIDENTIAL**  
 THE INFORMATION CONTAINED IN THIS DRAWING IS THE SOLE PROPERTY OF PHILIPS COLOR KINETICS, INC.  
 ANY REPRODUCTION IN PART OR AS A WHOLE WITHOUT THE WRITTEN PERMISSION OF PHILIPS COLOR KINETICS, INC. IS PROHIBITED.

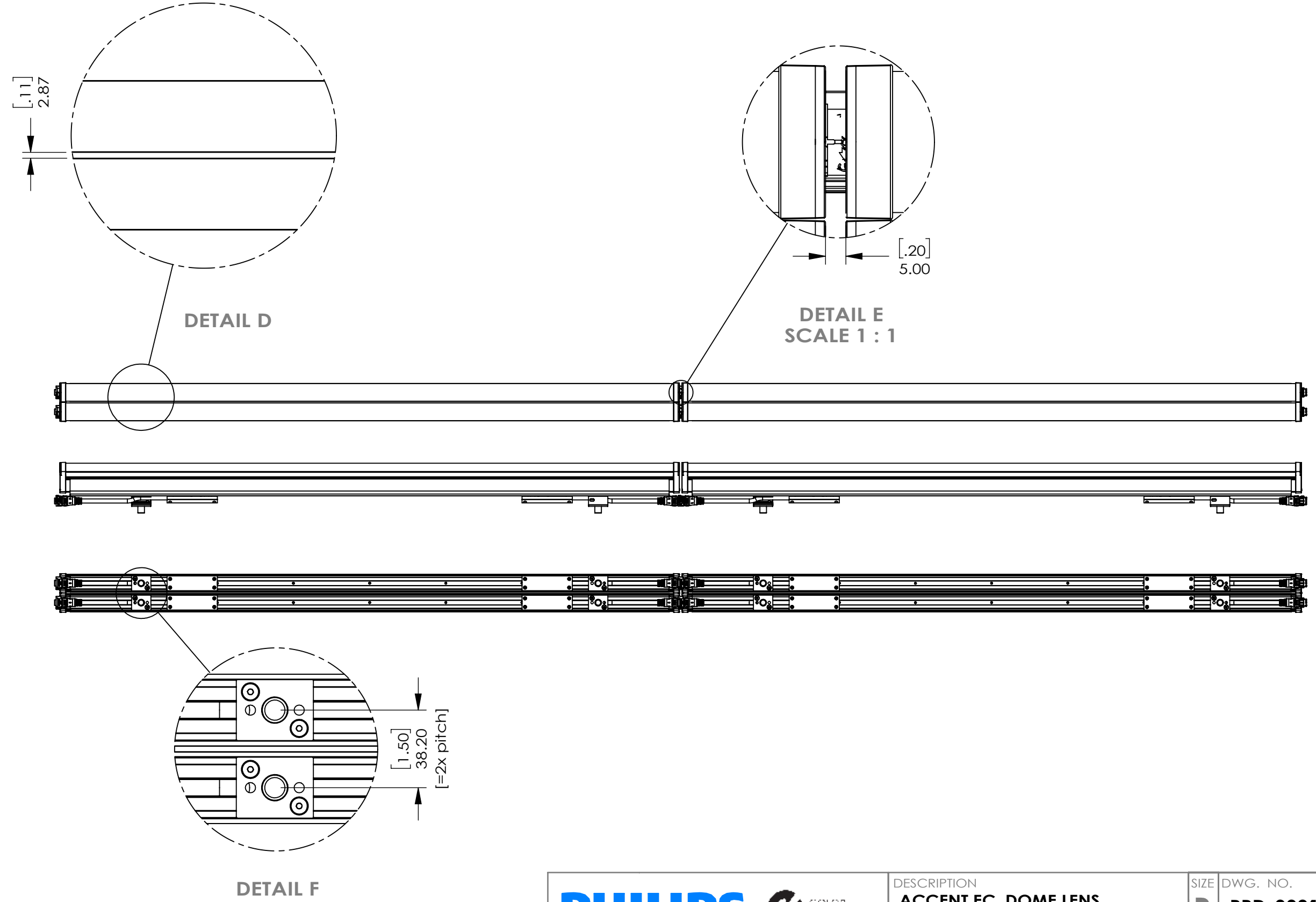
# Front mounting



	DESCRIPTION	SIZE	DWG. NO.	REV
	ACCENT EC, DOME LENS, PRODUCT DOCUMENT DRAWING	B	PPD-000125-00	00
<small>FILE NAME</small> PDD-000125&000127.CAXE		<small>DO NOT SCALE DRAWING</small> 1:8		<small>SHEET 3 OF 4</small>

**PROPRIETARY AND CONFIDENTIAL**  
 THE INFORMATION CONTAINED IN THIS DRAWING IS THE SOLE PROPERTY OF PHILIPS COLOR KINETICS, INC.  
 ANY REPRODUCTION IN PART OR AS A WHOLE WITHOUT THE WRITTEN PERMISSION OF PHILIPS COLOR KINETICS, INC. IS PROHIBITED.

# Rear mounting



	DESCRIPTION	SIZE	DWG. NO.	REV
	ACCENT EC, DOME LENS, PRODUCT DOCUMENT DRAWING	<b>B</b>	<b>PPD-000125-00</b>	<b>00</b>
<small>FILE NAME</small> PDD-000125&000127.CAXE		<small>DO NOT SCALE DRAWING</small> 1:8		SHEET 4 OF 4