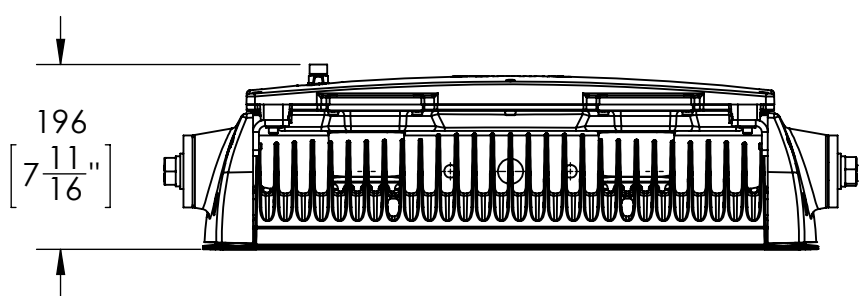
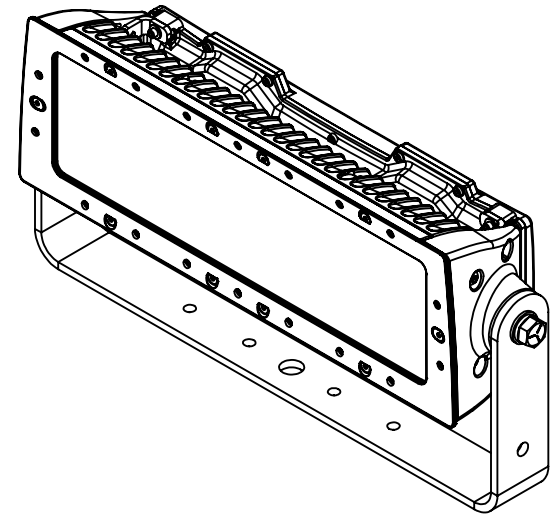
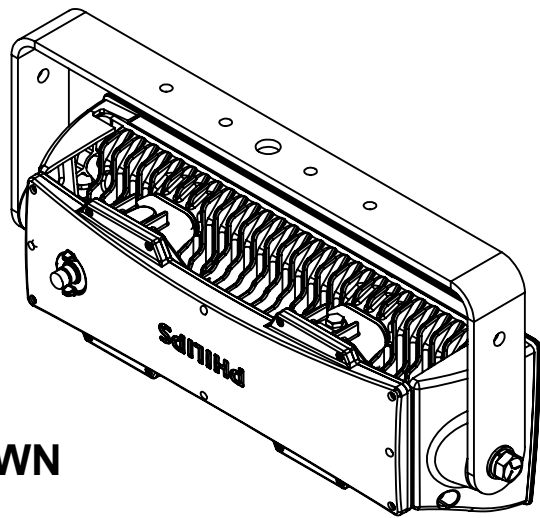
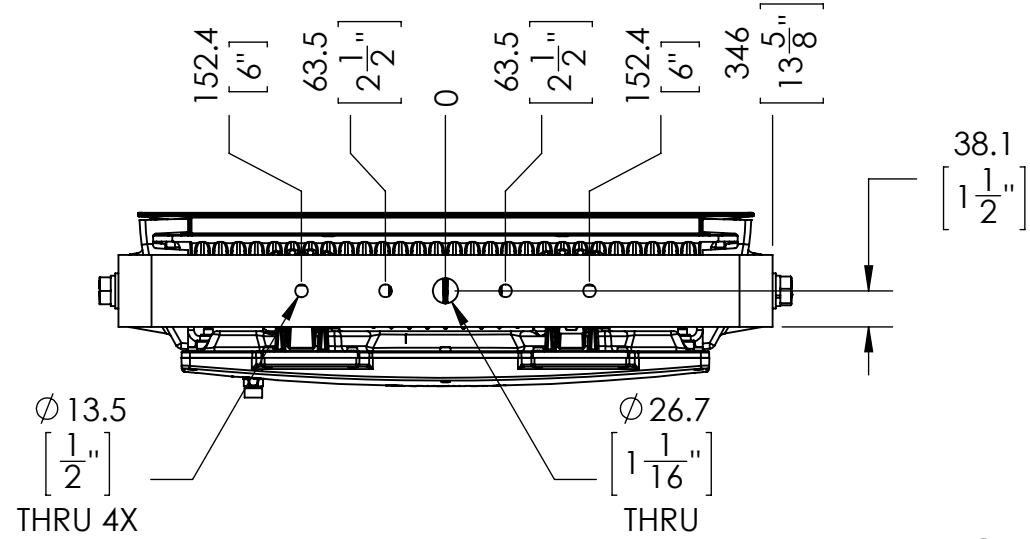
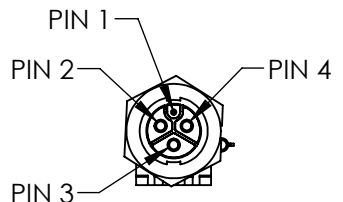
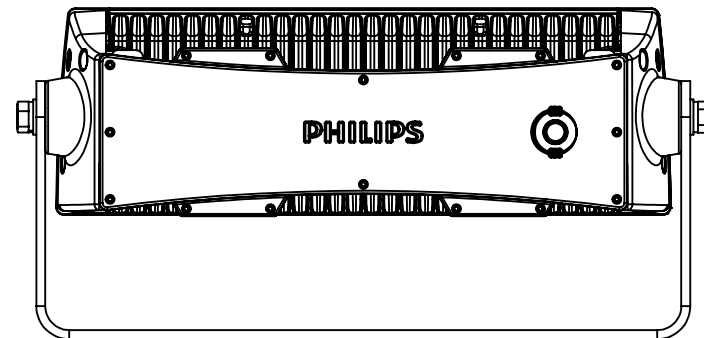
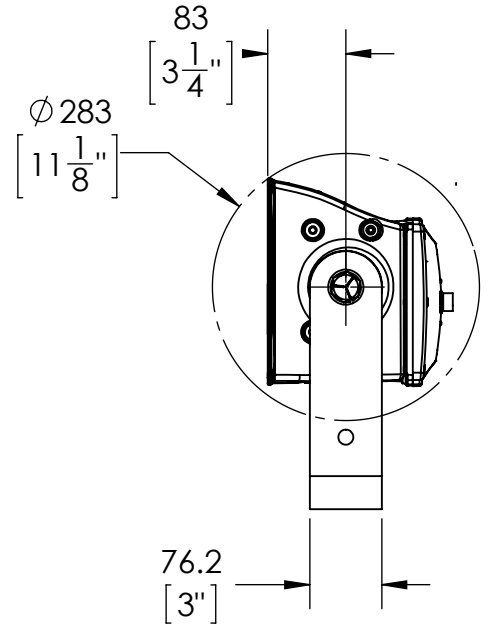
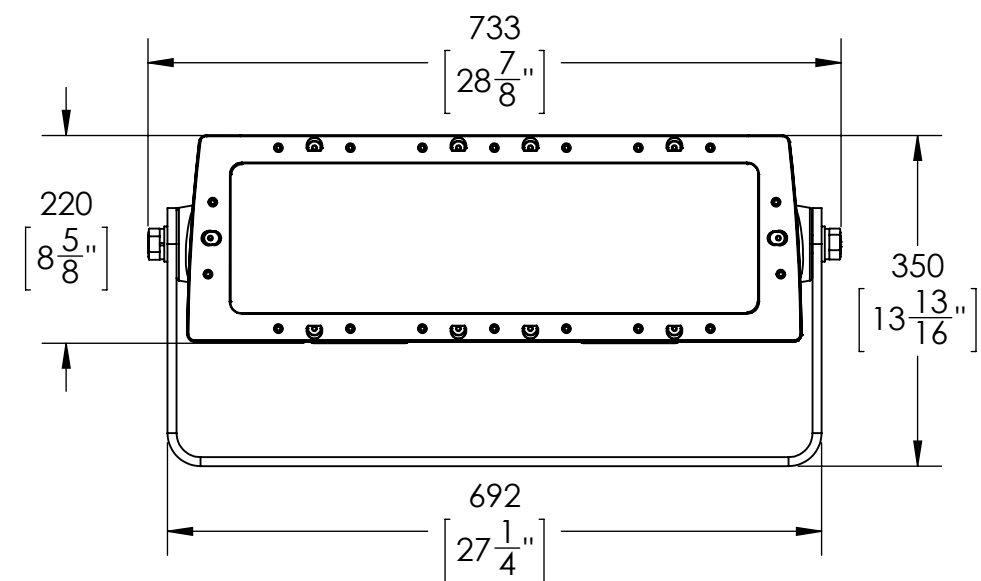
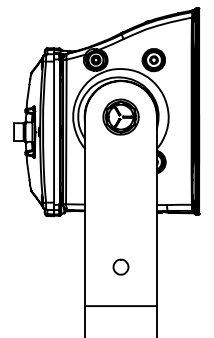
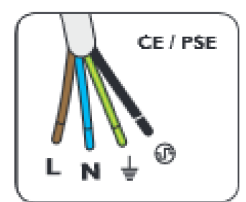
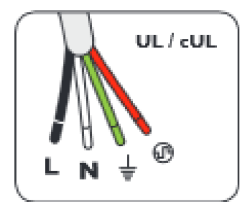


8 7 6 5 4 3 2 1

REVISIONS					
ZONE	REV.	ECO	DESCRIPTION	DATE	APPROVED
	00	8947	RELEASE	03/10/2014	RD



LOCATION	TYPE	UL	CE
PIN 1	DATA	RED	BLACK
PIN 2	LINE	BLACK	BROWN
PIN 3	GROUND	GREEN W/ YELLOW STRIPE	GREEN
PIN 4	NEUTRAL	WHITE	BLUE



NOTES:
 1. DIMENSIONS ARE IN MILLIMETERS; BRACKETED DIMENSIONS ARE IN INCHES.

NO ACCESSORIES SHOWN ON SHEET 1 & 2

PROPRIETARY AND CONFIDENTIAL
 THE INFORMATION CONTAINED IN THIS DRAWING IS THE SOLE PROPERTY OF PHILIPS COLOR KINETICS, INC. ANY REPRODUCTION IN PART OR AS A WHOLE WITHOUT THE WRITTEN PERMISSION OF PHILIPS COLOR KINETICS, INC. IS PROHIBITED.

PHILIPS COLOR KINETICS, INC. www.philips.com
 3 Burlington Woods Dr. Burlington MA 01803
 TEL: 888-385-5742 FAX: 617-338-0454

MATERIAL	SEE NOTES
FINISH	SEE NOTES
DRAWN	A. PEPPER
CHECKED	R. DEBRUIN
DATE	03/07/2014
DATE	03/10/2014

-UNLESS OTHERWISE SPECIFIED-
 DIMENSIONS ARE IN MILLIMETERS
 INTERPRET GEOMETRIC TOLERANCING PER: ANSI Y14.5M

TOLERANCES:
 ANGLE ± 1°
 DECIMAL
 .X ±0.5 mm
 .XX ±0.25 mm
 .XXX ±0.125 mm

THIRD ANGLE PROJECTION

DESCRIPTION
REACH COMPACT POWERCORE, PRODUCT DOCUMENT DRAWING

SIZE	DWG. NO.	REV
B	PDD-000046-00	00
FILE NAME	DO NOT SCALE DRAWING	SHEET 1 OF 4
	SCALE 1:8	

8 7 6 5 4 3 2 1

8 7 6 5 4 3 2 1

PROPRIETARY AND CONFIDENTIAL
THE INFORMATION CONTAINED IN THIS DRAWING IS THE SOLE PROPERTY OF PHILIPS COLOR KINETICS, INC.
ANY REPRODUCTION IN PART OR AS A WHOLE WITHOUT THE WRITTEN PERMISSION OF PHILIPS COLOR KINETICS, INC. IS PROHIBITED.

D

D

C

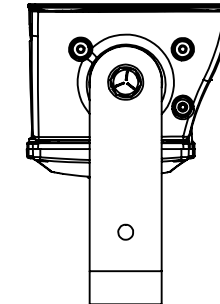
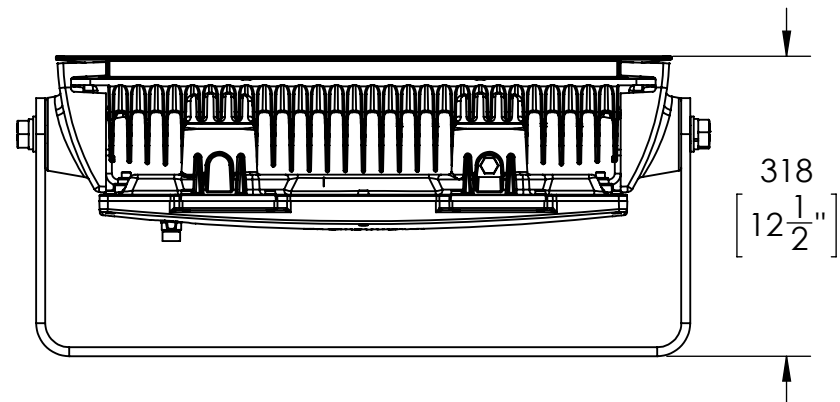
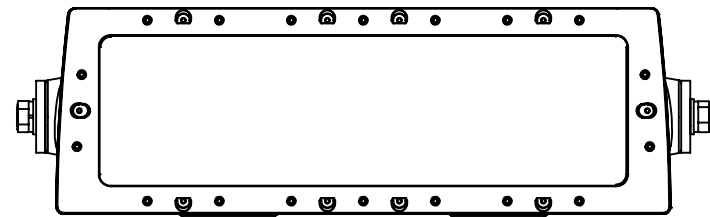
C

B

B

A

A



**NO ACCESSORIES SHOWN
ON SHEET 1 & 2**



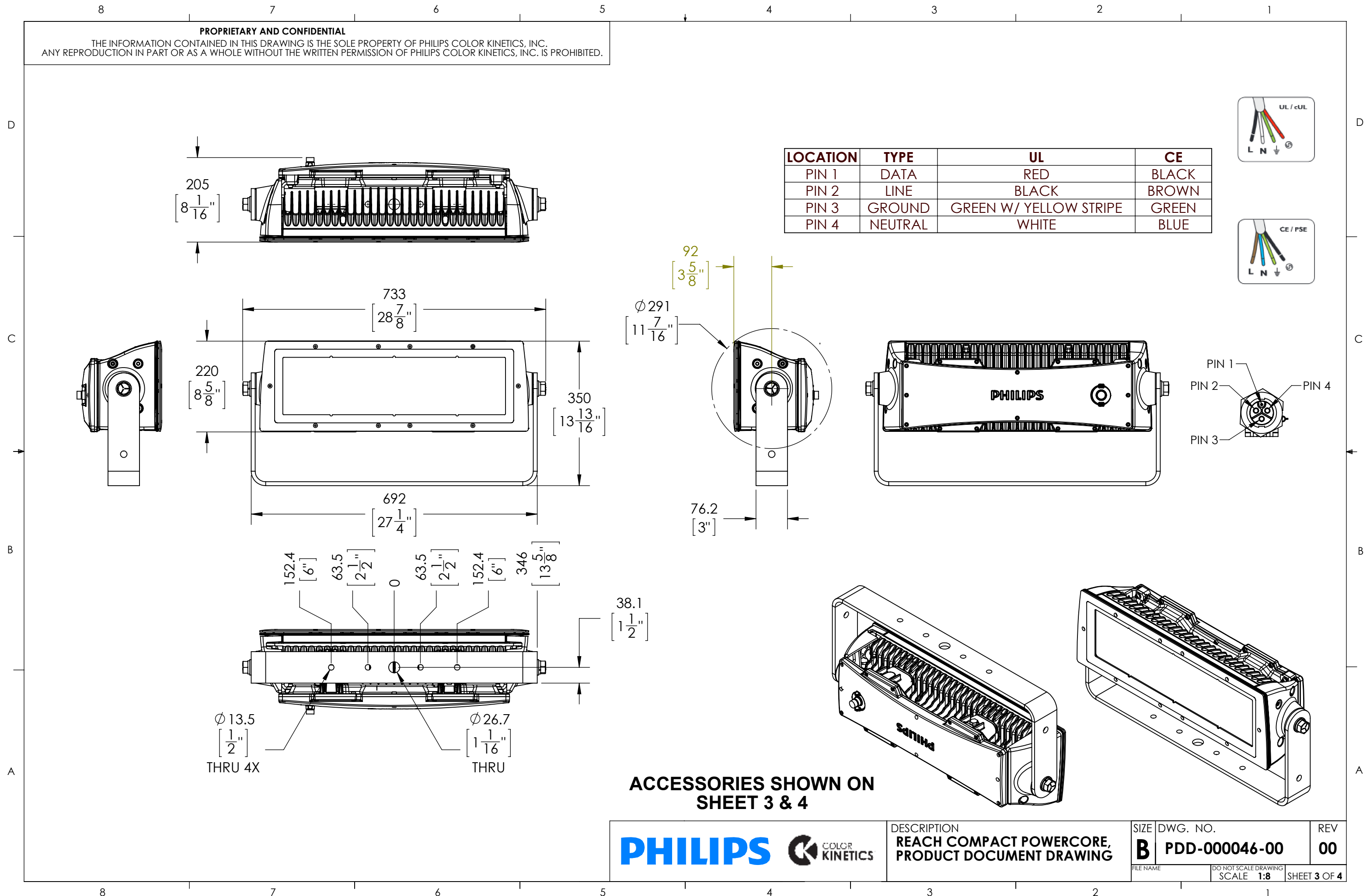
DESCRIPTION
**REACH COMPACT POWERCORE,
PRODUCT DOCUMENT DRAWING**

SIZE	DWG. NO.	REV
B	PDD-000046-00	00

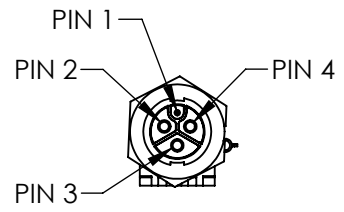
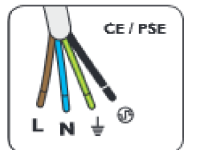
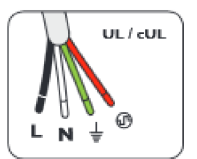
FILE NAME	DO NOT SCALE DRAWING	SHEET 2 OF 4
	SCALE 1:8	

8 7 6 5 4 3 2 1

PROPRIETARY AND CONFIDENTIAL
 THE INFORMATION CONTAINED IN THIS DRAWING IS THE SOLE PROPERTY OF PHILIPS COLOR KINETICS, INC.
 ANY REPRODUCTION IN PART OR AS A WHOLE WITHOUT THE WRITTEN PERMISSION OF PHILIPS COLOR KINETICS, INC. IS PROHIBITED.



LOCATION	TYPE	UL	CE
PIN 1	DATA	RED	BLACK
PIN 2	LINE	BLACK	BROWN
PIN 3	GROUND	GREEN W/ YELLOW STRIPE	GREEN
PIN 4	NEUTRAL	WHITE	BLUE



ACCESSORIES SHOWN ON SHEET 3 & 4

	DESCRIPTION	SIZE	DWG. NO.	REV
	REACH COMPACT POWERCORE, PRODUCT DOCUMENT DRAWING	B	PDD-000046-00	00
FILE NAME		DO NOT SCALE DRAWING		SHEET 3 OF 4
		SCALE 1:8		

8 7 6 5 4 3 2 1

PROPRIETARY AND CONFIDENTIAL
THE INFORMATION CONTAINED IN THIS DRAWING IS THE SOLE PROPERTY OF PHILIPS COLOR KINETICS, INC.
ANY REPRODUCTION IN PART OR AS A WHOLE WITHOUT THE WRITTEN PERMISSION OF PHILIPS COLOR KINETICS, INC. IS PROHIBITED.

D

D

C

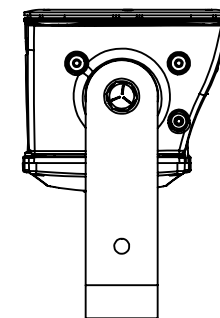
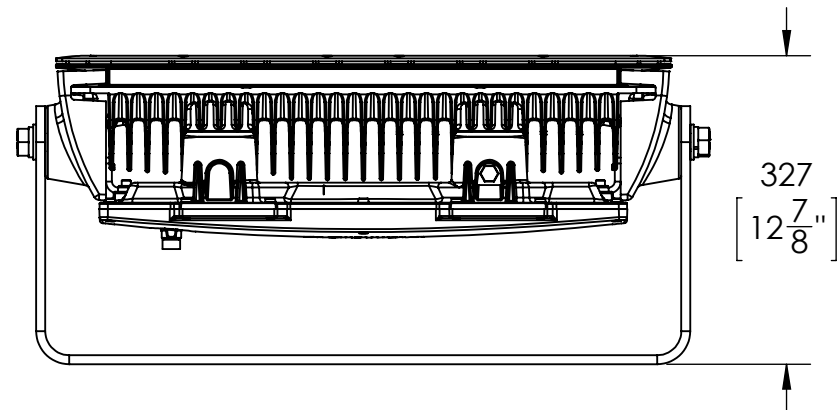
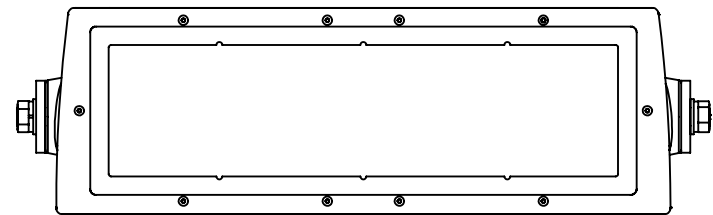
C

B

B

A

A



ACCESSORIES SHOWN ON SHEET 3 & 4



DESCRIPTION
**REACH COMPACT POWERCORE,
PRODUCT DOCUMENT DRAWING**

SIZE	DWG. NO.	REV
B	PDD-000046-00	00

FILE NAME	DO NOT SCALE DRAWING	SHEET 4 OF 4
	SCALE 1:8	

8 7 6 5 4 3 2 1