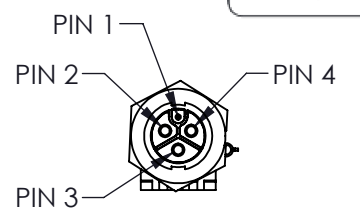
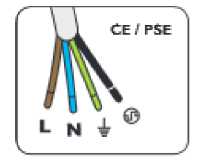
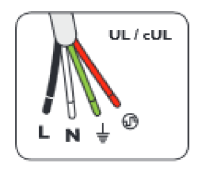


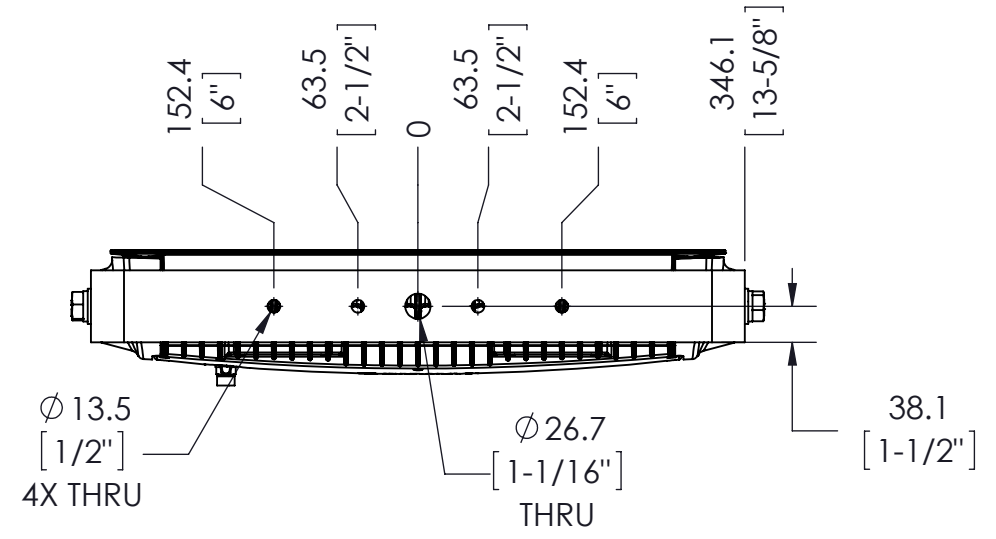
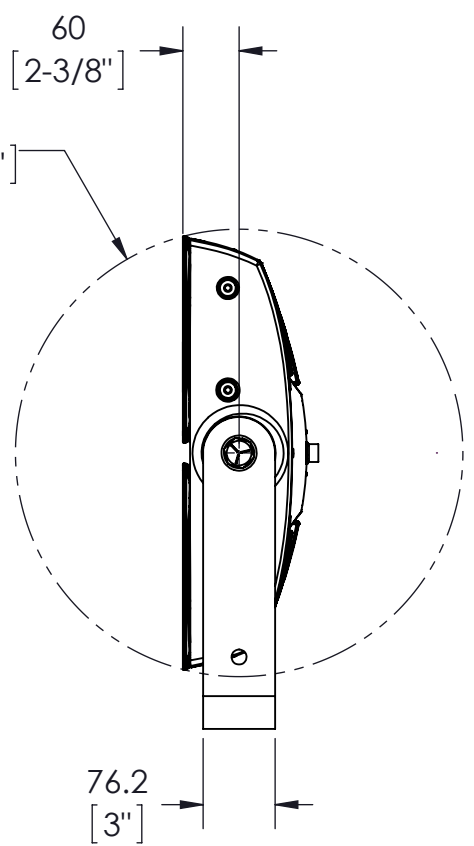
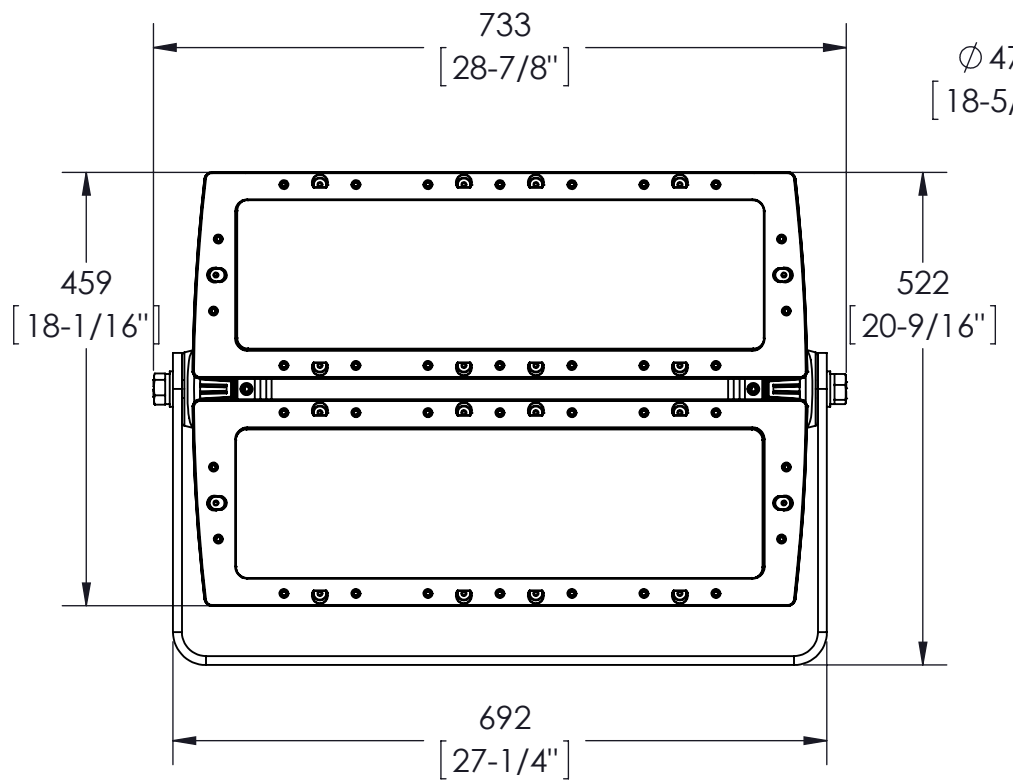
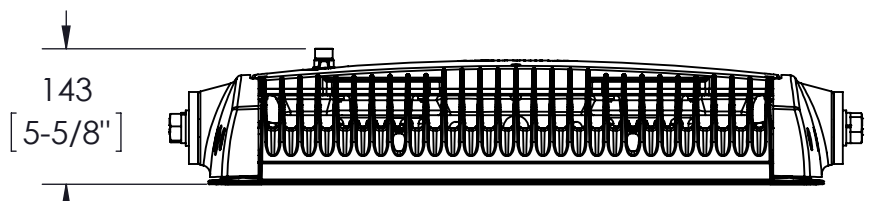
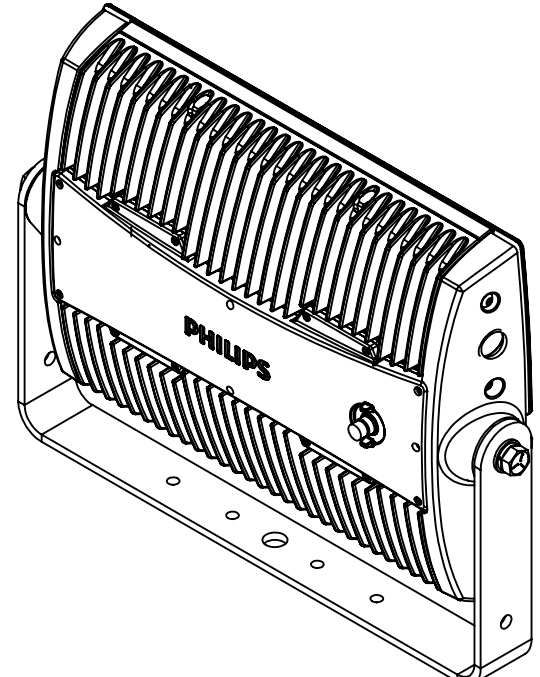
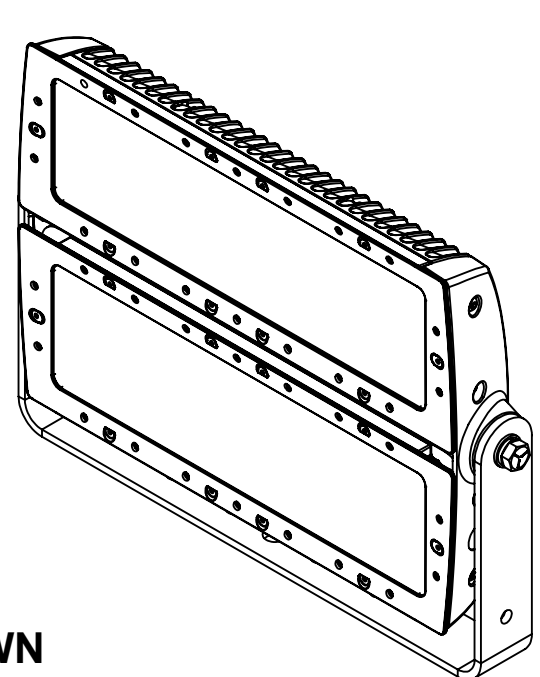
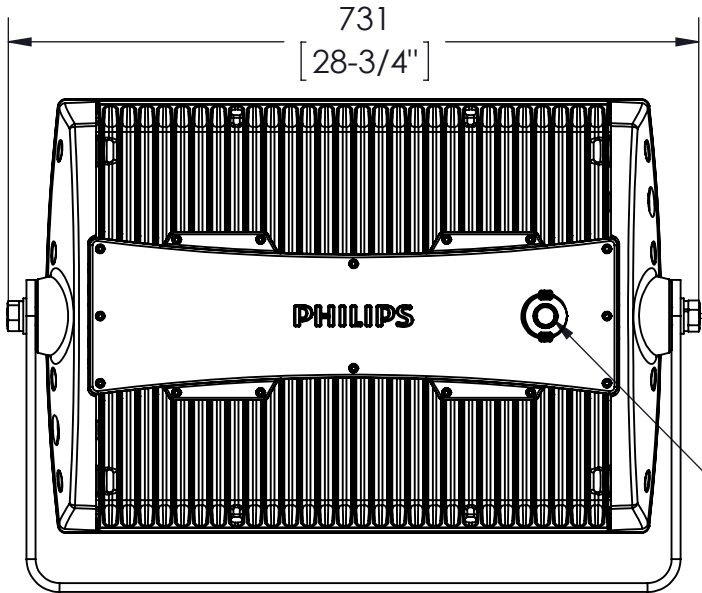
8 7 6 5 4 3 2 1

REVISIONS				
REV	ECO	DESCRIPTION	DATE	APPROVED
00	008346	RELEASE	08/20/2013	RD
01	008947	UPDATE CONNECTOR TABLE W/ UL & CE	3/10/2014	RD

LOCATION	TYPE	UL	CE
PIN 1	DATA	RED	BLACK
PIN 2	LINE	BLACK	BROWN
PIN 3	GROUND	GREEN W/ YELLOW STRIPE	GREEN
PIN 4	NEUTRAL	WHITE	BLUE



SHOWN WITH PROTECTIVE TERMINATOR CAP IN PLACE.



NO ACCESSORIES SHOWN ON SHEET 1 & 2

NOTES:
1. DIMENSIONS ARE IN MILLIMETERS; BRACKETED DIMENSIONS ARE IN INCHES.

PROPRIETARY AND CONFIDENTIAL
THE INFORMATION CONTAINED IN THIS DRAWING IS THE SOLE PROPERTY OF PHILIPS COLOR KINETICS, INC. ANY REPRODUCTION IN PART OR AS A WHOLE WITHOUT THE WRITTEN PERMISSION OF PHILIPS COLOR KINETICS, INC. IS PROHIBITED.

PHILIPS COLOR KINETICS, INC. www.philips.com
3 Burlington Woods Dr. Burlington MA 01803
TEL: 888-385-5742 FAX: 617-338-0454

MATERIAL	SEE NOTES
FINISH	SEE NOTES
DRAWN	A. PEPPER
CHECKED	R. DEBRUIN
DATE	03/03/2014
DATE	03/14/2014

-UNLESS OTHERWISE SPECIFIED-
DIMENSIONS ARE IN MILLIMETERS
INTERPRET GEOMETRIC TOLERANCING PER: ANSI Y14.5M

TOLERANCES:
ANGLE ± 1°
DECIMAL
.X ± 0.5 mm
.XX ± 0.25 mm
.XXX ± 0.125 mm

THIRD ANGLE PROJECTION

DESCRIPTION
REACH POWERCORE, PRODUCT DOCUMENT DRAWING

SIZE	DWG. NO.	REV
B	PDD-000007-00	01
FILE NAME	DO NOT SCALE DRAWING	SHEET 1 OF 4
	SCALE 1:8	

8 7 6 5 4 3 2 1

8 7 6 5 4 3 2 1

PROPRIETARY AND CONFIDENTIAL
THE INFORMATION CONTAINED IN THIS DRAWING IS THE SOLE PROPERTY OF PHILIPS COLOR KINETICS, INC.
ANY REPRODUCTION IN PART OR AS A WHOLE WITHOUT THE WRITTEN PERMISSION OF PHILIPS COLOR KINETICS, INC. IS PROHIBITED.

D

C

B

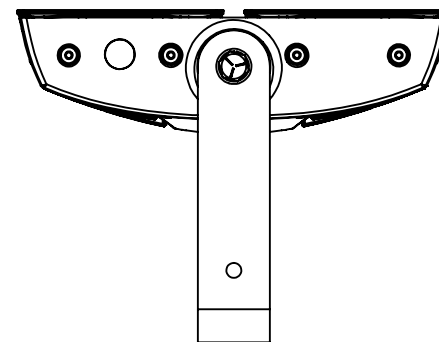
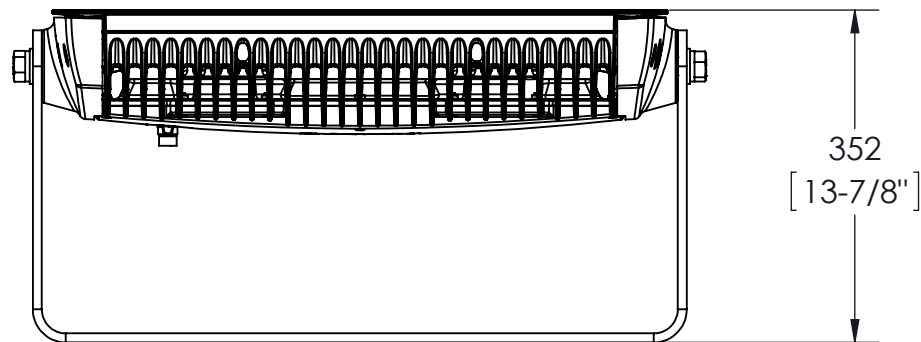
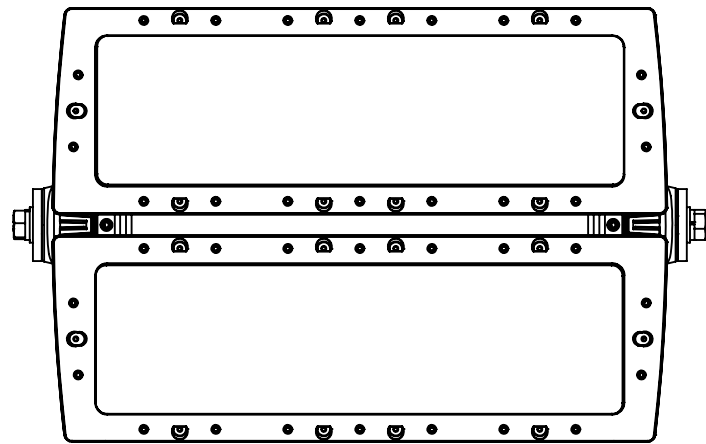
A

D

C

B

A



**NO ACCESSORIES SHOWN
ON SHEET 1 & 2**

NOTES:

1. DIMENSIONS ARE IN MILLIMETERS; BRACKETED DIMENSIONS ARE IN INCHES.

PHILIPS



DESCRIPTION
**REACH POWERCORE, PRODUCT
DOCUMENT DRAWING**

SIZE DWG. NO.
B PDD-000007-00

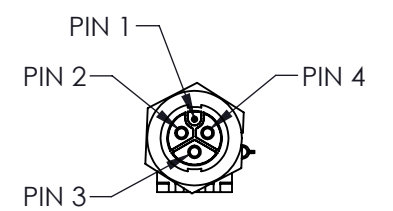
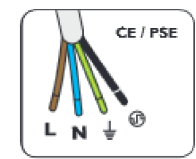
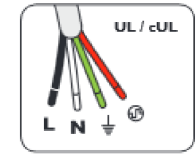
REV
01

FILE NAME DO NOT SCALE DRAWING
SCALE **1:8** SHEET **2 OF 4**

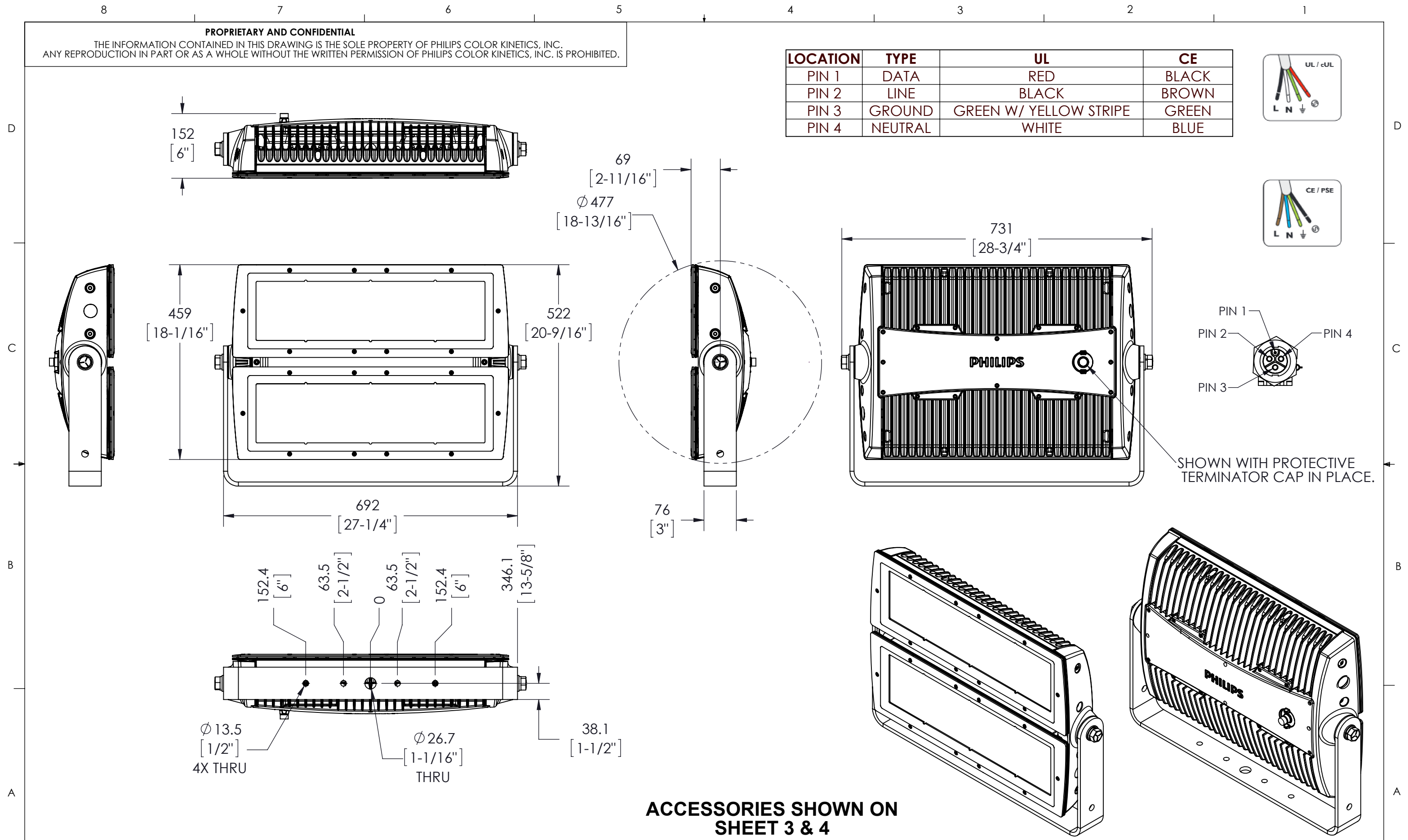
8 7 6 5 4 3 2 1

PROPRIETARY AND CONFIDENTIAL
 THE INFORMATION CONTAINED IN THIS DRAWING IS THE SOLE PROPERTY OF PHILIPS COLOR KINETICS, INC.
 ANY REPRODUCTION IN PART OR AS A WHOLE WITHOUT THE WRITTEN PERMISSION OF PHILIPS COLOR KINETICS, INC. IS PROHIBITED.

LOCATION	TYPE	UL	CE
PIN 1	DATA	RED	BLACK
PIN 2	LINE	BLACK	BROWN
PIN 3	GROUND	GREEN W/ YELLOW STRIPE	GREEN
PIN 4	NEUTRAL	WHITE	BLUE



SHOWN WITH PROTECTIVE TERMINATOR CAP IN PLACE.



ACCESSORIES SHOWN ON SHEET 3 & 4

NOTES:
 1. DIMENSIONS ARE IN MILLIMETERS; BRACKETED DIMENSIONS ARE IN INCHES.

	DESCRIPTION	SIZE	DWG. NO.	REV
	REACH POWERCORE, PRODUCT DOCUMENT DRAWING	B	PDD-000007-00	01
FILE NAME		DO NOT SCALE DRAWING		SHEET 3 OF 4
		SCALE 1:8		

8 7 6 5 4 3 2 1

PROPRIETARY AND CONFIDENTIAL
THE INFORMATION CONTAINED IN THIS DRAWING IS THE SOLE PROPERTY OF PHILIPS COLOR KINETICS, INC.
ANY REPRODUCTION IN PART OR AS A WHOLE WITHOUT THE WRITTEN PERMISSION OF PHILIPS COLOR KINETICS, INC. IS PROHIBITED.

D

D

C

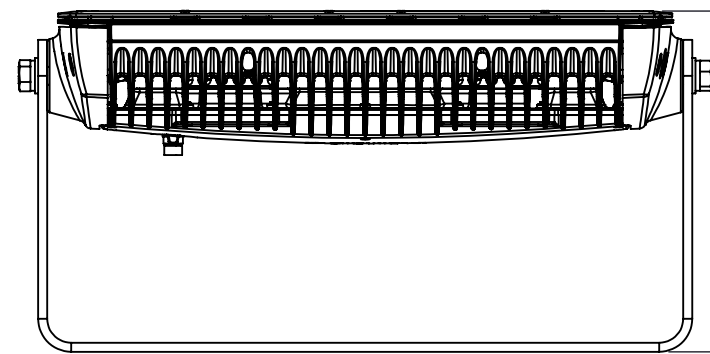
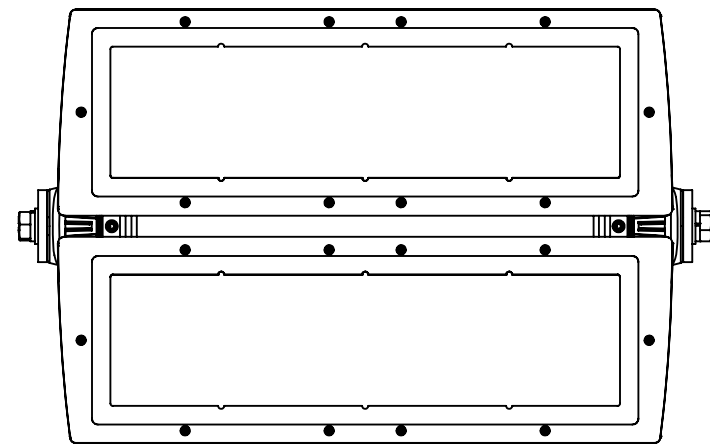
C

B

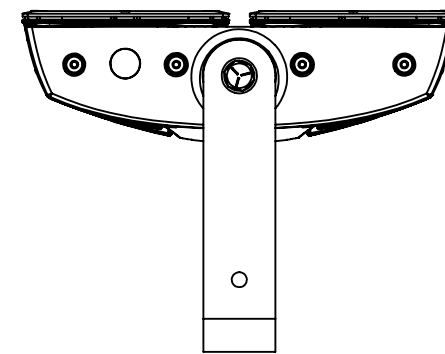
B

A

A



361
[14-3/16"]



**ACCESSORIES SHOWN ON
SHEET 3 & 4**

NOTES:

1. DIMENSIONS ARE IN MILLIMETERS; BRACKETED DIMENSIONS ARE IN INCHES.



DESCRIPTION
**REACH POWERCORE, PRODUCT
DOCUMENT DRAWING**

SIZE	DWG. NO.	REV
B	PDD-000007-00	01
FILE NAME	DO NOT SCALE DRAWING SCALE 1:8	SHEET 4 OF 4

8 7 6 5 4 3 2 1