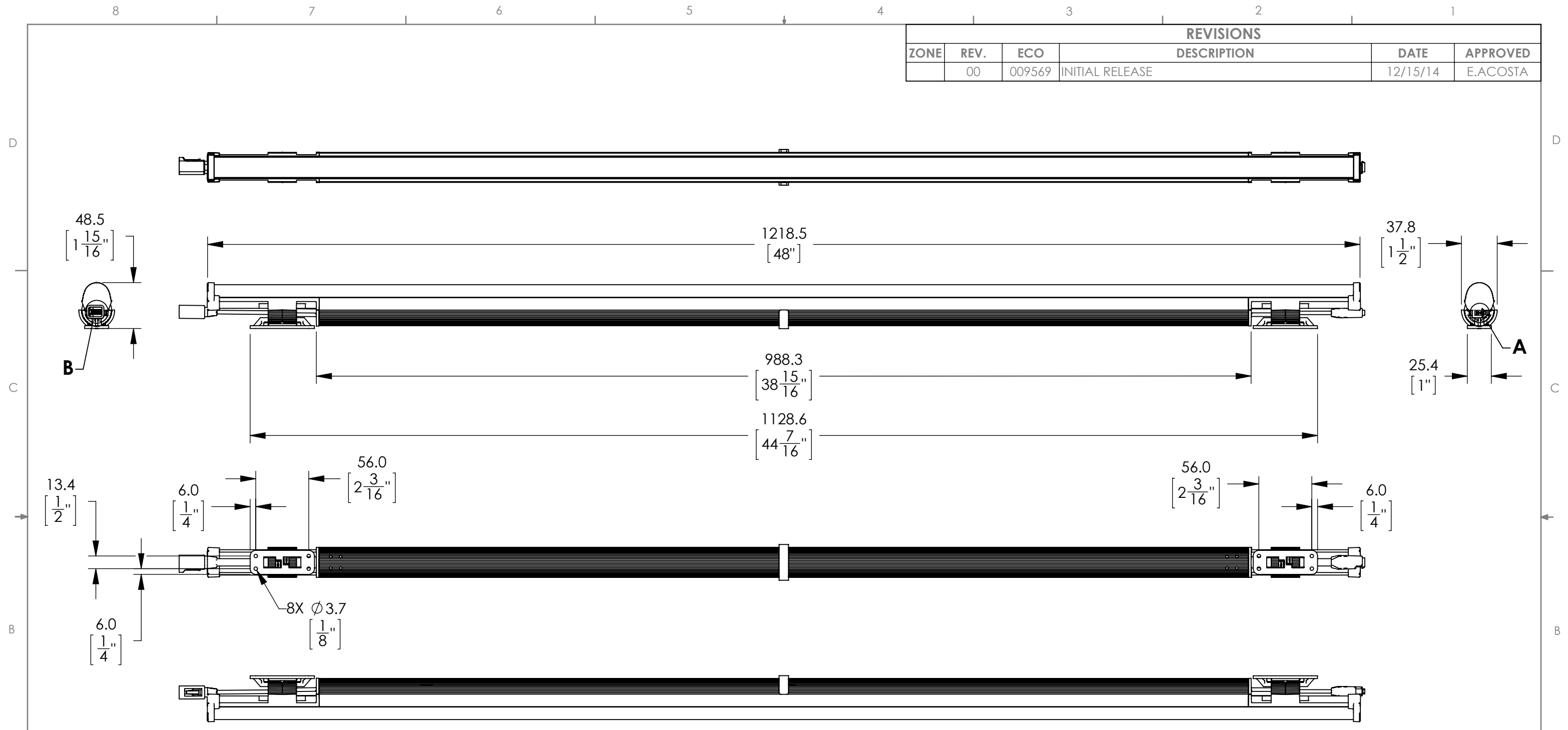
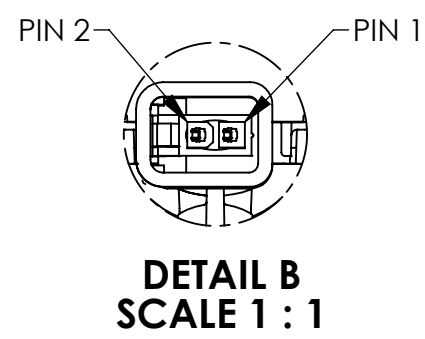


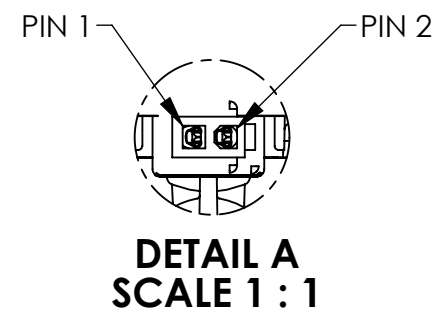
REVISIONS					
ZONE	REV.	ECO	DESCRIPTION	DATE	APPROVED
	00	009569	INITIAL RELEASE	12/15/14	E.ACOSTA



eW COVE QLX MEDIUM BEAM 48"



LOCATION	COLOR	TYPE
PIN 1	WHITE	NEUTRAL
PIN 2	BLACK	LINE



PROPRIETARY AND CONFIDENTIAL
THE INFORMATION CONTAINED IN THIS DRAWING IS THE SOLE PROPERTY OF PHILIPS COLOR KINETICS, INC. ANY REPRODUCTION IN PART OR AS A WHOLE WITHOUT THE WRITTEN PERMISSION OF PHILIPS COLOR KINETICS, INC. IS PROHIBITED.



MATERIAL	SEE NOTES
FINISH	SEE NOTES
DRAWN	DATE
STEPHEN W. LEE	2013-01-21
CHECKED	DATE
STEPHEN W. LEE	2013-01-21

-UNLESS OTHERWISE SPECIFIED-
DIMENSIONS ARE IN MILLIMETERS (INCHES)
INTERPRET GEOMETRIC TOLERANCING PER: ANSI Y14.5M

TOLERANCES: ANGLE DECIMAL
±1° .X ±0.5 mm
.XX ±0.25 mm
.XXX ±0.125 mm

THIRD ANGLE PROJECTION

DESCRIPTION
**eW COVE, QLX & EC
POWERCORE, 48 INCH, PRODUCT
DOCUMENT DRAWING**

SIZE	DWG. NO.	REV
B	PDD-000109-00	00
FILE NAME	DO NOT SCALE DRAWING	SCALE
ASY-001853-XX	SCALE 1:4	SHEET 1 OF 5

8 7 6 5 4 3 2 1

PROPRIETARY AND CONFIDENTIAL
THE INFORMATION CONTAINED IN THIS DRAWING IS THE SOLE PROPERTY OF PHILIPS COLOR KINETICS, INC.
ANY REPRODUCTION IN PART OR AS A WHOLE WITHOUT THE WRITTEN PERMISSION OF PHILIPS COLOR KINETICS, INC. IS PROHIBITED.

D

D

C

C

B

B

A

A



eW COVE QLX 48"



DESCRIPTION
**eW COVE, QLX & EC
POWERCORE, 48 INCH, PRODUCT
DOCUMENT DRAWING**

SIZE DWG. NO.
B PDD-000109-00

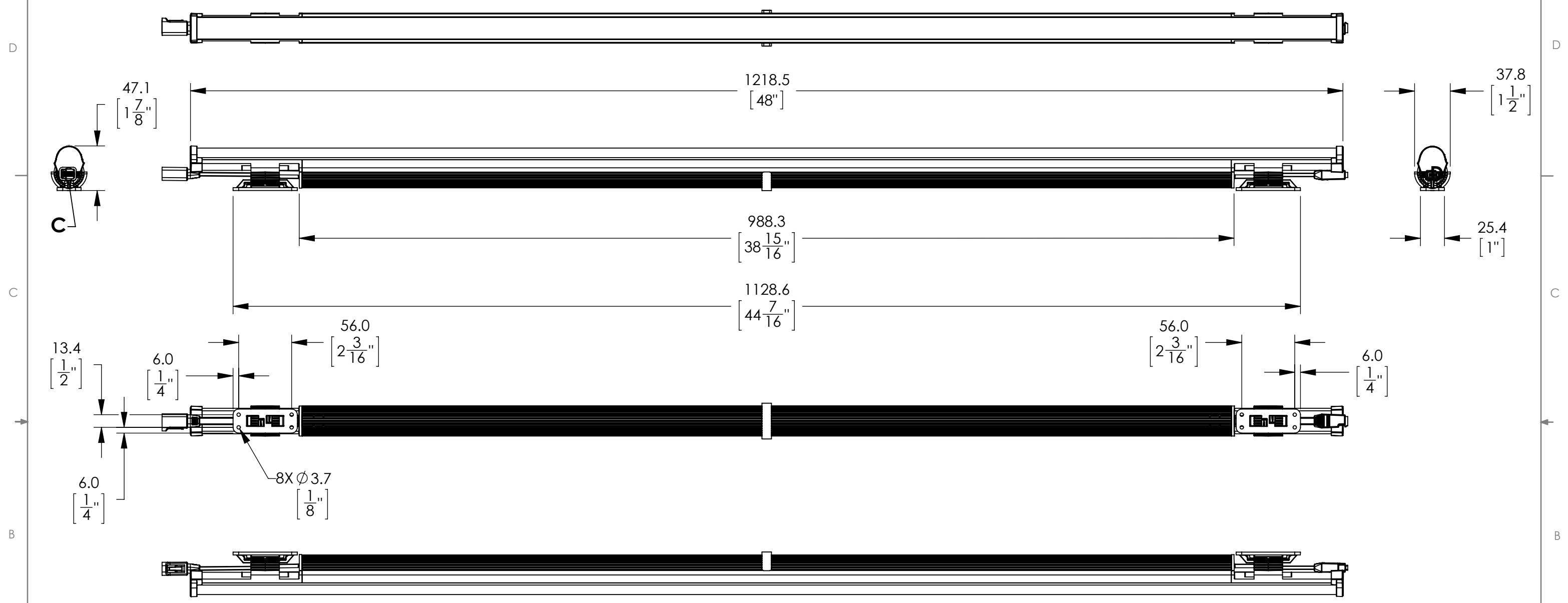
REV
00

FILE NAME DO NOT SCALE DRAWING
ASY-001853-XX SCALE 10:1 SHEET 2 OF 5

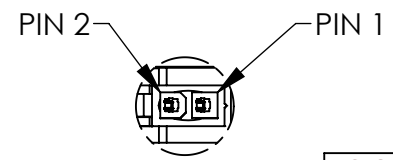
8 7 6 5 4 3 2 1

8 7 6 5 4 3 2 1

PROPRIETARY AND CONFIDENTIAL
 THE INFORMATION CONTAINED IN THIS DRAWING IS THE SOLE PROPERTY OF PHILIPS COLOR KINETICS, INC.
 ANY REPRODUCTION IN PART OR AS A WHOLE WITHOUT THE WRITTEN PERMISSION OF PHILIPS COLOR KINETICS, INC. IS PROHIBITED.

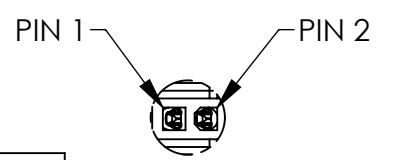


eW COVE QLX/ EC WIDE BEAM 48"



**DETAIL C
SCALE 1 : 1**

LOCATION	COLOR	TYPE
PIN 1	WHITE	NEUTRAL
PIN 2	BLACK	LINE



**DETAIL D
SCALE 1 : 1**



DESCRIPTION
**eW COVE, QLX & EC
 POWERCORE, 48 INCH, PRODUCT
 DOCUMENT DRAWING**

SIZE	DWG. NO.	REV
B	PDD-000109-00	00
FILE NAME	DO NOT SCALE DRAWING	SHEET 3 OF 5
ASY-001853-XX	SCALE 1:4	

8 7 6 5 4 3 2 1

8 7 6 5 4 3 2 1

PROPRIETARY AND CONFIDENTIAL
THE INFORMATION CONTAINED IN THIS DRAWING IS THE SOLE PROPERTY OF PHILIPS COLOR KINETICS, INC.
ANY REPRODUCTION IN PART OR AS A WHOLE WITHOUT THE WRITTEN PERMISSION OF PHILIPS COLOR KINETICS, INC. IS PROHIBITED.



D

D

C

C



B

B

A

A

eW COVE EC 48"

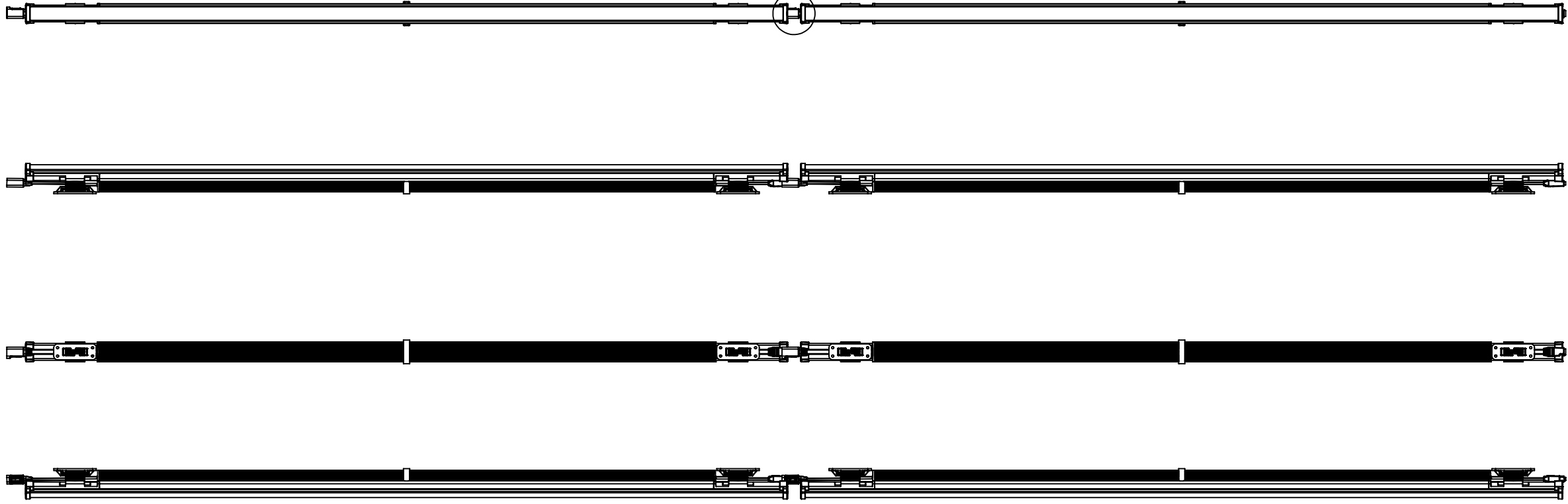
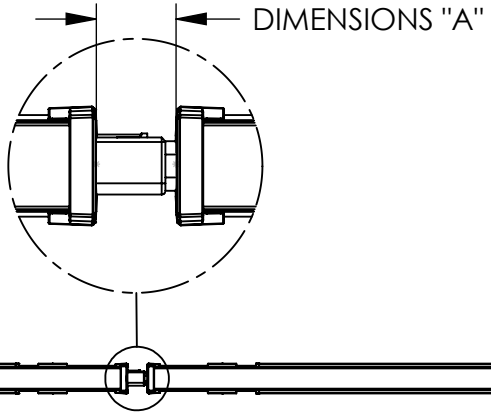
 	DESCRIPTION eW COVE, QLX & EC POWERCORE, 48 INCH, PRODUCT DOCUMENT DRAWING		SIZE B	DWG. NO. PDD-000109-00	REV 00
	FILE NAME ASY-001853-XX	DO NOT SCALE DRAWING SCALE 1:4	SHEET 4 OF 5		

8 7 6 5 4 3 2 1

8 7 6 5 4 3 2 1

PROPRIETARY AND CONFIDENTIAL
THE INFORMATION CONTAINED IN THIS DRAWING IS THE SOLE PROPERTY OF PHILIPS COLOR KINETICS, INC.
ANY REPRODUCTION IN PART OR AS A WHOLE WITHOUT THE WRITTEN PERMISSION OF PHILIPS COLOR KINETICS, INC. IS PROHIBITED.

DIMENSIONS "A"	
MAX.	MIN.
16mm/.6"	10mm/.4"



eW COVE, QLX & EC 48"

D
C
B
A

D
C
B
A

8 7 6 5 4 3 2 1

	DESCRIPTION	SIZE	DWG. NO.	REV
	eW COVE, QLX & EC POWERCORE, 48 INCH, PRODUCT DOCUMENT DRAWING	B	PDD-000109-00	00
FILE NAME		DO NOT SCALE DRAWING		
ASY-001853-XX		SCALE 1:4		SHEET 5 OF 5