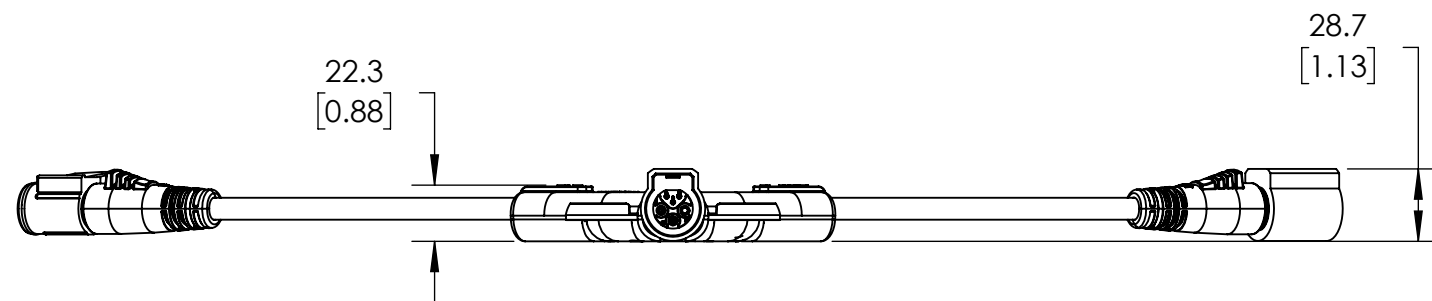
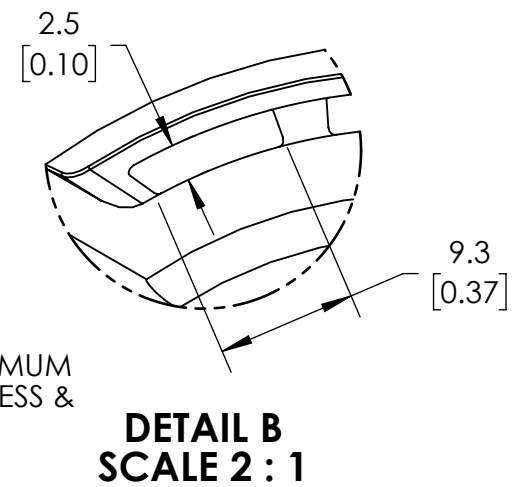
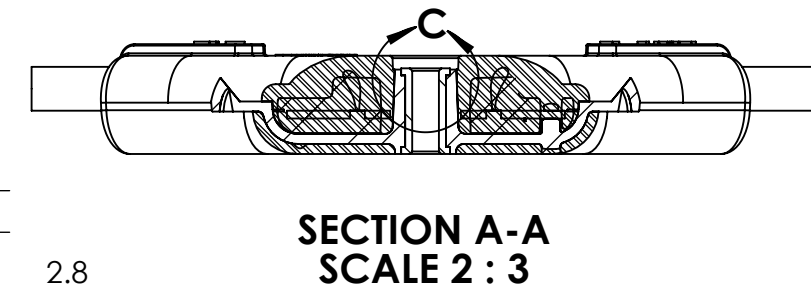
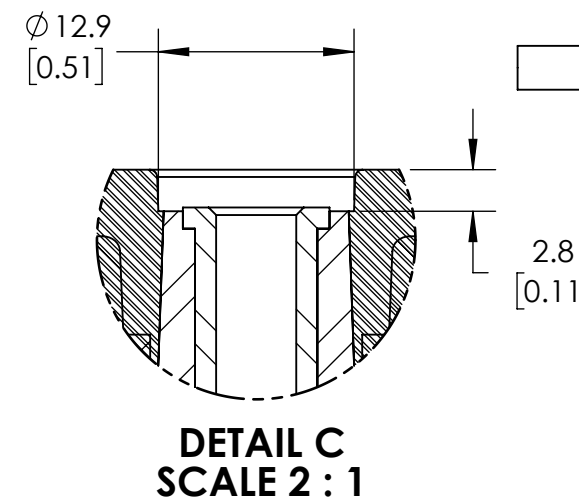
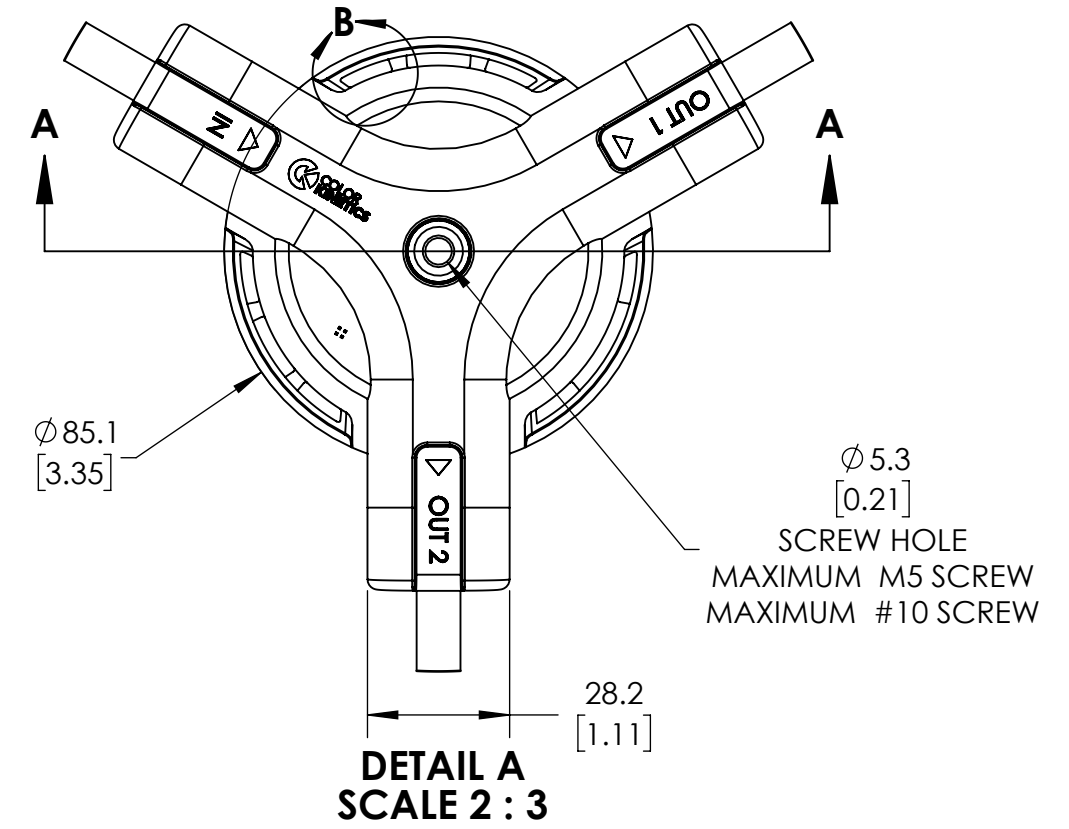
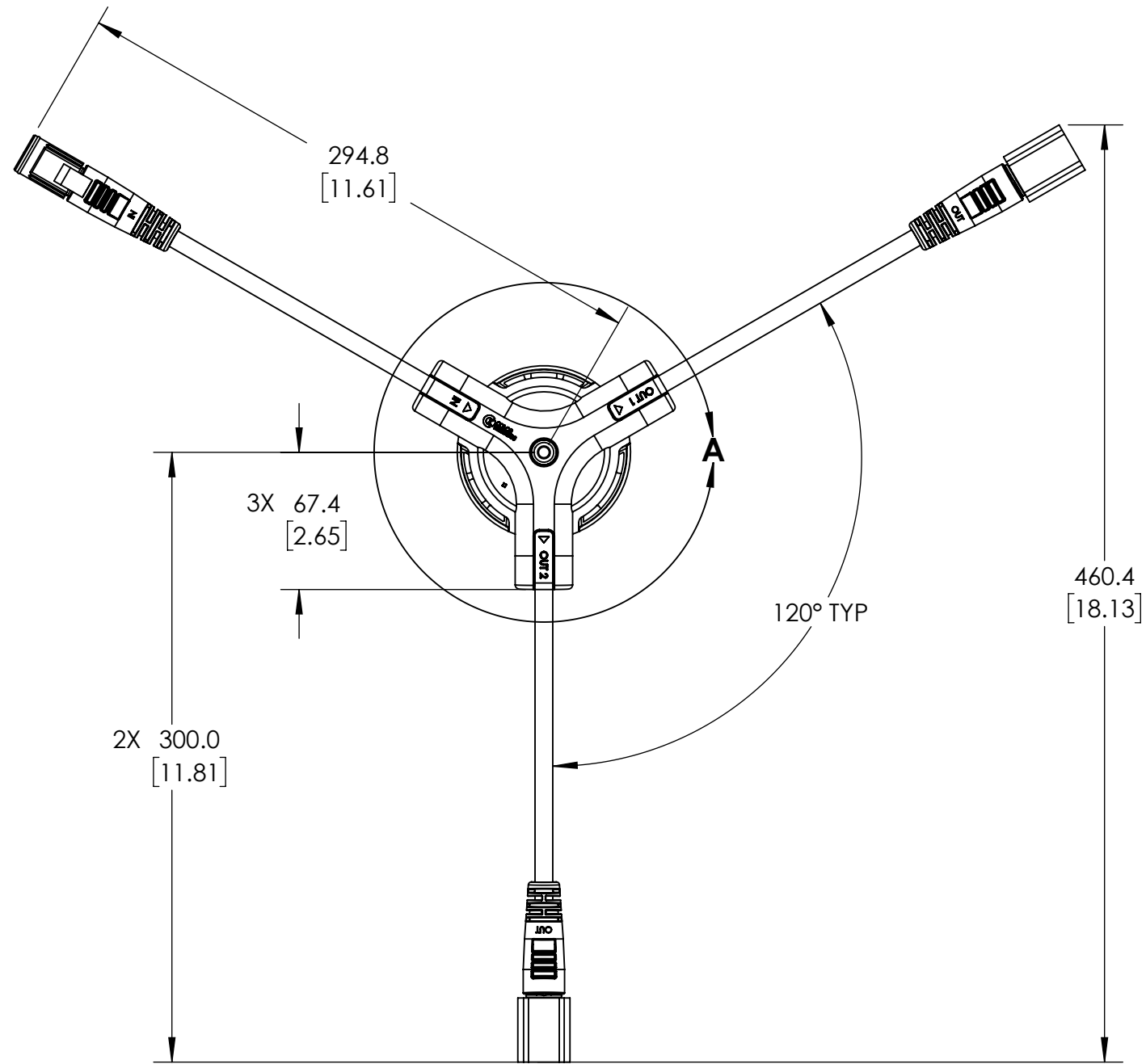


REVISIONS					
ZONE	REV.	ECO	DESCRIPTION	DATE	APPROVED
	00	012498	INITIAL RELEASE	05/02/2019	KP



8 SLOTS ON PERIMETER FOR MAXIMUM  
CABLE TIE SIZE 2.28 [0.09] THICKNESS &  
8.63 [0.34] WIDTH

© Signify Holding. All rights reserved. Specifications are subject to change without notice. No representation or warranty as to the accuracy or completeness of the information included herein is given and any liability for any action in reliance thereon is disclaimed. All trademarks are owned by Signify Holding or their respective owners.

**COLOR KINETICS**  
www.colorkinetics.com  
3 Burlington Woods Dr. Burlington MA 01803 USA  
Tel: 888-385-5742 Fax: 617-338-0454

MATERIAL	
FINISH	
DRAWN	DATE
CHECKED	DATE

- UNLESS OTHERWISE SPECIFIED -  
DIMENSIONS ARE IN MILLIMETERS  
INTERPRET GEOMETRIC TOLERANCING PER: ANSI Y14.5M

**TOLERANCES:**  
DECIMAL  
.X ±0.5 mm  
.XX ±0.25 mm  
.XXX ±0.125 mm

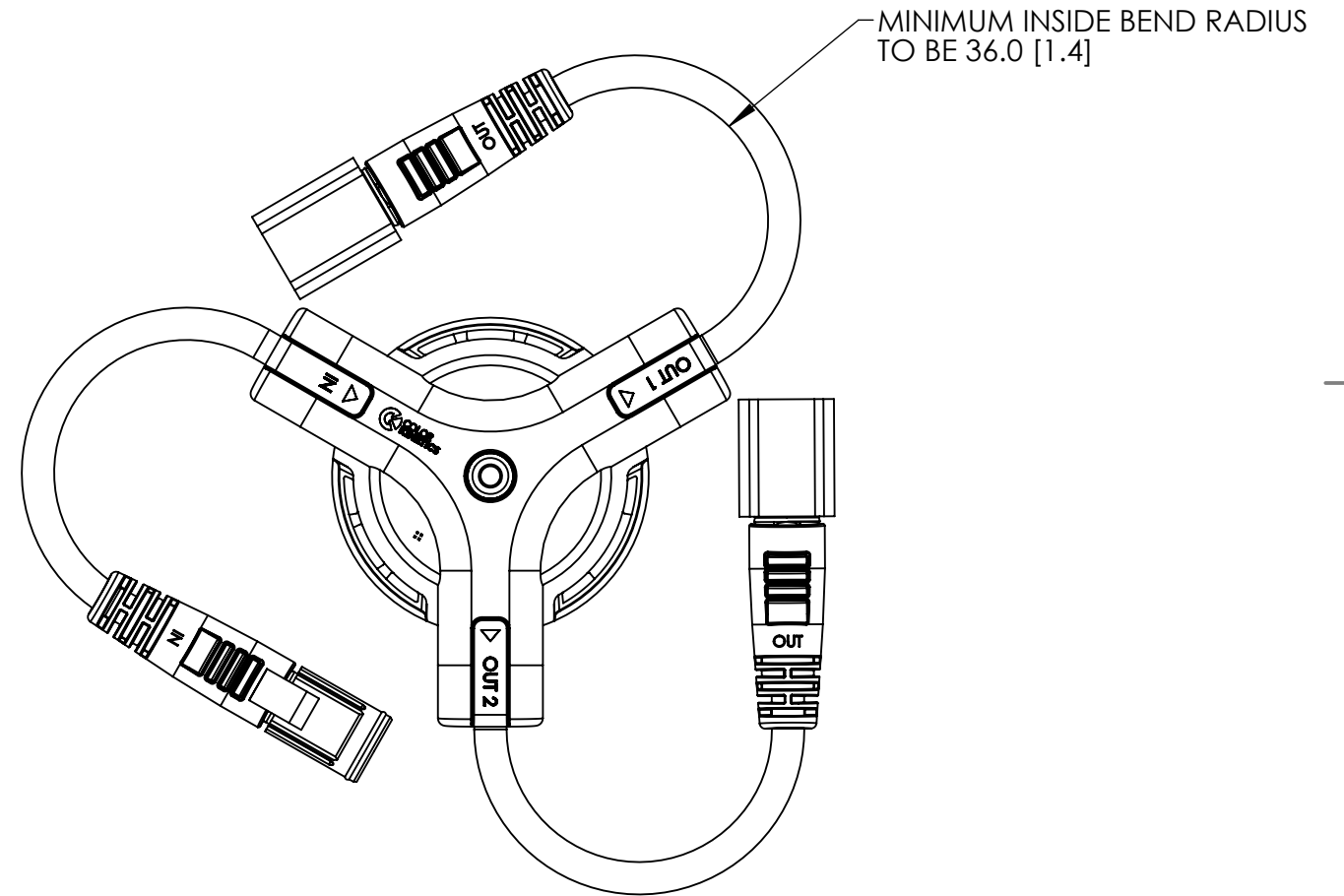
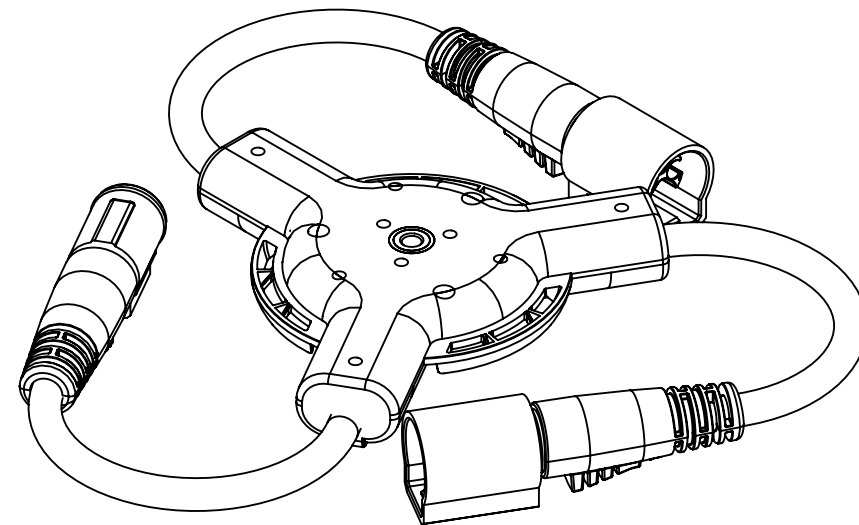
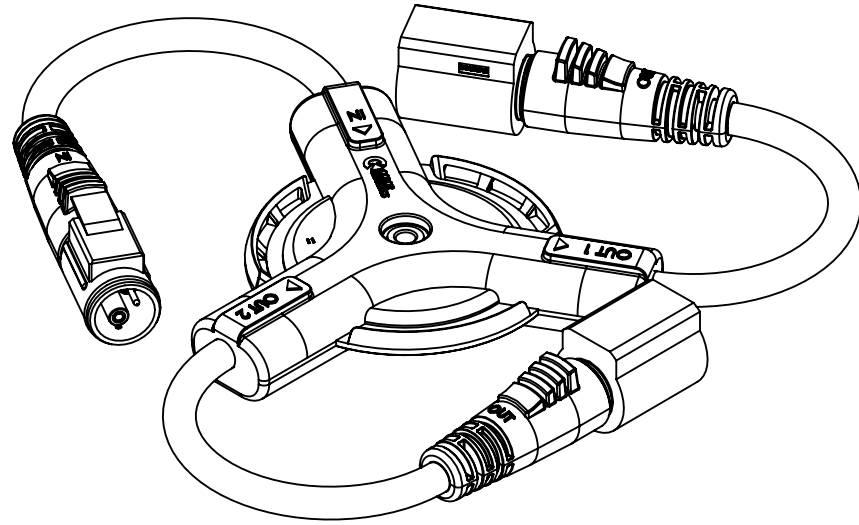
ANGLE ±1°

THIRD ANGLE PROJECTION

DESCRIPTION  
**FLEX ELITE SPLITTER, PRODUCT DOCUMENT  
DRAWING**

SIZE <b>B</b>	DWG. NO. <b>PDD-000161-00</b>	REV <b>00</b>
FILE NAME	DO NOT SCALE DRAWING	SHEET 1 OF 2
SCALE <b>1:3</b>		

© Signify Holding. All rights reserved. Specifications are subject to change without notice. No representation or warranty as to the accuracy or completeness of the information included herein is given and any liability for any action in reliance thereon is disclaimed. All trademarks are owned by Signify Holding or their respective owners.



DESCRIPTION  
**FLEX ELITE SPLITTER, PRODUCT DOCUMENT DRAWING**

SIZE	DWG. NO.	REV
<b>B</b>	<b>PDD-000161-00</b>	<b>00</b>

FILE NAME DO NOT SCALE DRAWING SCALE 1:3 SHEET 2 OF 2