

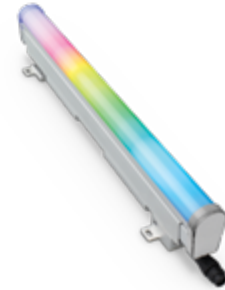
iColor Accent Compact

Date: _____
Type: _____
Firm Name: _____
Project: _____

**RGBW, 467 mm (18.4 in),
Translucent Lens**

High resolution media direct view linear LED luminaire with RGBW color light

iColor Accent Compact, RGBW is a direct view linear LED luminaire ideally suited for displaying large-scale video, graphics, and intricately designed effects in a host of architectural settings. iColor Accent Compact, RGBW adds a separate white LED, creating better-quality whites compared to RGB. iColor Accent Compact, RGBW accepts Ethernet input from the PDS-400 48V EO to support long control runs not subject to DMX data and addressing limitations. Two lens choices are available for iColor Accent Compact, RGBW: a clear lens which delivers the brightest output and a translucent lens which provides the widest viewing angle.



- Precise resolution control—Luminaires can be addressed and controlled in increments down to 19 mm (0.75 in), or up to 1220 mm (4 ft).
- Native, onboard Ethernet—Luminaires accept Ethernet input from PDS-400 48V EO to support long control runs not subject to DMX data and addressing limitations.
- Four luminaire lengths—315 mm (12.4 in), 467 mm (18.4 in), 619.5 mm (24.4), and 1228.5 mm (48.4 in) lengths are easily connected to create long, continuous columns or rows of intense, dynamic color. The 315 mm (12.4 in) luminaires in particular allow for extra flexibility when space is at a premium.
- Rugged, durable construction—This IP66-rated luminaire is designed to meet the taxing requirements of outdoor applications. The aluminium housing resists shock, vibration, and other forms of rough handling.
- Flexible positioning—Over-molded end-to-end locking connectors supply both power and data. Connectors can make 180° turns for easy layout. Jumper cables can add extra space between luminaires.
- Industry-leading controls—Works seamlessly with the complete Color Kinetics line of controllers, including Video System Manager Pro, Light System Manager, and iPlayer 3, and any third-party controllers.
- Universal power input range—Accepts a universal power input range of 100 to 277 VAC for consistent installation anywhere in the world. Each 400 W, outdoor-rated PDS-400 48V EO can support multiple luminaires for creating long lines of video or ribbons of intricately changing color.
- ActiveSite integration—ActiveSite is the first ever cloud-hosted connected lighting system for architectural LED lighting installations. ActiveSite allows you to remotely monitor, manage, and maintain an installation site from anywhere in the world, using a secure web connection.

For detailed product information, please refer to the iColor Accent Compact Product Guide at www.colorkinetics.com/ls/rgb/iColor-Accent-Compact-RGBW/

Specifications

Due to continuous improvements and innovations, specifications may change without notice.

Output

Viewing Angle	210°
Lumens†	372
On-Axis Candela	86
On-Axis Candela per node	3.5
Efficacy (lm/W)§§	28.6
LED Channels	Red/Green/Blue/4000 K

Electrical

Input Voltage	48 VDC via PDS-400 48V EO or CM-400 48V EO
Power Consumption	13 W
<small>(Maximum at full output, steady state)</small>	

For Surge Protection Requirements for LED Lighting Systems, please refer to www.colorkinetics.com/KB/surge-protection.

Control

Interface	PDS-400 48V EO (Ethernet) CM-400 48V EO (Ethernet)
-----------	---

Control System

Color Kinetics full range of controllers, including Light System Manager, Video System Manager Pro, iPlayer 3, Antumbra iColor Keypad, and ColorDial Pro, or third-party controllers

Remote Monitoring & Management	ActiveSite Ready, works with Interact Landmark
--------------------------------	--

Lumen Maintenance

Threshold§	Ambient Temperature	Reported¶	Calculated¶
L ₈₀	25 °C		
	50 °C	> 60,000	
L ₇₀	25 °C	> 60,000	
	50 °C	> 60,000	
L ₅₀	25 °C	> 60,000	
	50 °C	> 60,000	

Physical

Dimensions	86.6 x 467 x 38 mm (3.4 x 18.4 x 1.5 in)
<small>(Height x Width x Depth)</small>	
Weight	0.75 kg (1.65 lb)
Housing Material	Extruded aluminium and polycarbonate
Lens	Translucent UV-protected polycarbonate
Luminaire Connections	Over-molded, integral male/female connectors

Temperature Ranges

-40 to 50 °C (-40 to 122 °F) Operating
-20 to 50 °C (-4 to 122 °F) Startup
-40 to 80 °C (-40 to 176 °F) Storage

Vibration Resistance

Complies with ANSI C136.31, 3G	
Mechanical Impact	IK10
Humidity	0 to 95%, non-condensing

Maximum Luminaires Per Power/Data Supply

24 maximum per PDS-400 48V EO using a 15 m (50 ft) leader cable

Certification and Safety

Approbation	UL/cUL, FCC Class A, CE, CQC, RCM
Environment	Dry/Damp/Wet Location, IP66



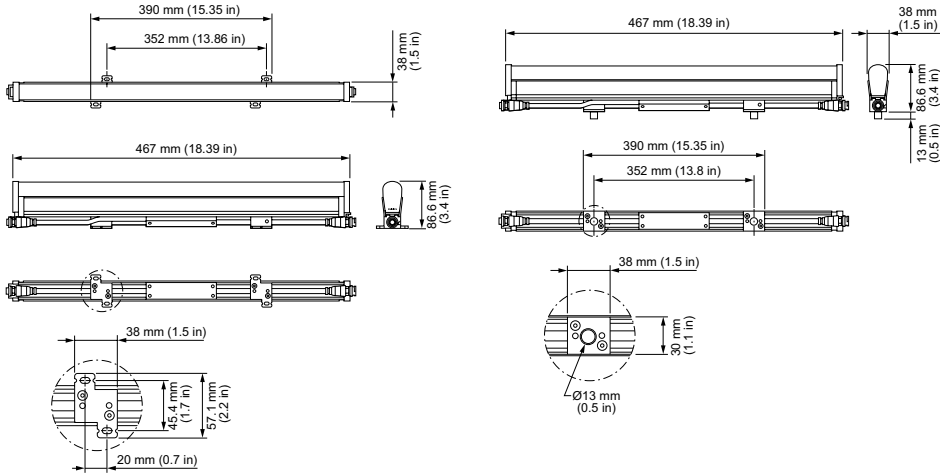
† 315 mm (12.4 in) lumen output measurements comply with IES LM-79-08 testing procedures. 610 mm (2 ft), and 1220 mm (4 ft) measurements are estimated based on the 305 mm (1 ft) measurements.

§ L_{xx} = xx% lumen maintenance (when light output drops below xx% of initial output). All values are given at B10, or the median value where 90% of the LED population is better than the reported or calculated lumen maintenance measurement.

¶ Lumen maintenance figures are based on lifetime prediction graphs supplied by LED source manufacturers. Whenever possible, figures use measurements that comply with IES LM-80-08 testing procedures. In accordance with TM-21-11, Reported values represent the interpolated value based on six times the LM-80-08 total test duration (in hours). Calculated values represent time durations that exceed six times the total test duration.

§§ Efficacy measurements are estimated based on the 305 mm (1 ft) measurements.

Dimensions

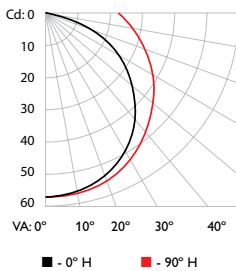


Photometrics, translucent lens, 315 mm (12.4 in)

Photometric data is based on test results from an independent NIST traceable testing lab. IES data is available at www.colorkinetics.com/support/ies.

Viewing Angle	210°
LED	All channels full on
Lumens	248
Efficacy (lm/W)	24.8

Polar Candela Distribution



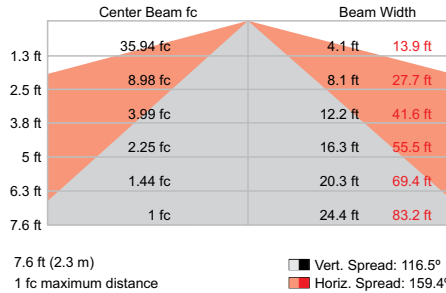
	0	25	45	65	90
90°	0	57	57	57	57
80°	5	57	57	57	57
70°	15	55	55	56	56
60°	25	52	52	53	54
50°	35	47	48	49	50
	45	40	41	44	46
	55	31	34	37	40
	65	22	26	31	35
	75	12	18	25	29
	85	4	11	19	23
	90	2	9	16	21

Zonal Lumen

Zone	Lumens	% Luminaire
0-30	45.6	18.40%
0-40	76.2	30.70%
0-60	142.6	57.40%
60-90	72.9	29.40%
70-100	56.8	22.90%
90-120	29.4	11.80%
0-90	215.5	86.80%
90-180	32.8	13.20%
0-180	248.2	100%

For lux multiply fc by 10.7

Illuminance at Distance



Coefficients of Utilization - Zonal Cavity Method

RCC %:	Effective Floor Cavity Reflectance: 20%																						
	80				70				50				30				10				0		
RW %:	70	50	30	0	70	50	30	0	50	30	20	50	30	20	50	30	20	50	30	20	0		
0	1.16	1.16	1.16	1.16	1.12	1.12	1.12	0.87	1.04	1.04	1.04	0.97	0.97	0.97	0.9	0.9	0.9	0.87					
1	1.03	0.97	0.91	0.86	0.98	0.93	0.88	0.67	0.86	0.82	0.79	0.8	0.77	0.74	0.74	0.72	0.69	0.66					
2	0.92	0.83	0.75	0.68	0.88	0.8	0.72	0.54	0.74	0.68	0.63	0.68	0.64	0.59	0.63	0.59	0.56	0.53					
3	0.83	0.72	0.63	0.55	0.8	0.69	0.61	0.45	0.64	0.57	0.51	0.59	0.54	0.49	0.55	0.5	0.46	0.43					
4	0.76	0.63	0.53	0.46	0.73	0.61	0.52	0.38	0.56	0.49	0.43	0.52	0.46	0.41	0.49	0.43	0.39	0.36					
5	0.7	0.58	0.46	0.39	0.66	0.54	0.45	0.33	0.5	0.43	0.37	0.47	0.4	0.35	0.44	0.38	0.33	0.31					
6	0.64	0.5	0.41	0.34	0.61	0.48	0.4	0.28	0.45	0.37	0.32	0.42	0.35	0.3	0.39	0.34	0.29	0.27					
7	0.59	0.45	0.36	0.3	0.57	0.44	0.35	0.25	0.41	0.33	0.28	0.38	0.32	0.27	0.36	0.3	0.26	0.23					
8	0.55	0.41	0.32	0.26	0.53	0.4	0.31	0.22	0.37	0.3	0.25	0.35	0.28	0.24	0.33	0.27	0.23	0.21					
9	0.51	0.37	0.29	0.23	0.49	0.36	0.28	0.2	0.34	0.27	0.22	0.32	0.26	0.21	0.3	0.25	0.2	0.18					
10	0.48	0.34	0.26	0.21	0.46	0.33	0.26	0.18	0.32	0.25	0.2	0.3	0.24	0.19	0.28	0.23	0.19	0.17					

Luminaire and Accessories

Use Item Number when ordering in North America

Luminaire	Item Number	Item 12NC
iColor Accent Compact <i>RGBW, 467 mm (18.4 in), Translucent Lens</i>	101-000200-07	912400136256
Accessories		
Horizontal Louver, 305 mm (1 ft)	120-000200-00	912400133792
Vertical Louver, 305 mm (1 ft)	120-000200-03	912400133795
Rear Mounting Studs, 2 pieces	120-000200-06	912400133798
Leader Cable, 15 m (50 ft)	108-000200-00	912400133789
Leader Cable, 30 m (100 ft)	108-000200-01	912400133790
Jumper Cable, 305 mm (1 ft)	108-000200-03	912400134184
Jumper Cable, 1.5 m (5 ft)	108-000200-02	912400133791
Power Supplies		
PDS-400 48V, EO Power/Data Supply, Ethernet, UL	109-000200-00	912400133799
PDS-400 48V, EO Power/Data Supply, Ethernet, CE	109-000200-01	912400134110
CM-400 48V EO, Control Module, Ethernet	109-000210-01	912400133802
PS-600 48V, Power Supply, IP66	109-000220-00	912400133803
PS-480 48V, Power Supply, IP20, DIN rail	109-000220-01	912400133804



© 2019 Signify Holding. All rights reserved. Specifications are subject to change without notice. No representation or warranty as to the accuracy or completeness of the information included herein is given and any liability for any action in reliance thereon is disclaimed.

Color Kinetics
www.colorkinetics.com/ls/rgb/i/Color-Accent-Compact-RGBW/