

ColorBurst Compact Powercore

Date: _____
Type: _____
Firm Name: _____
Project: _____

8° (No Spread Lens), Black Housing, CQC, Architectural

Compact architectural and landscape LED spotlight with intelligent color light

ColorBurst Compact Powercore is a high-output, exterior-rated LED lighting luminaire designed for accent and site lighting. Architectural and landscape luminaires deliver full-color light output of up to 498 lumens to support a range of uplighting, floodlighting, and decorative lighting applications.



- Integrates patented Powercore technology—Powercore technology rapidly, efficiently, and accurately controls power output to luminaires directly from line voltage. The Color Kinetics Data Enabler Pro merges line voltage and control data and delivers them to the luminaire over a single standard cable, dramatically simplifying installation and lowering total system cost.
- Support for a wide range of architectural and landscape applications—Architectural luminaires feature an integrated yoke with canopy base for mounting to standard US junction boxes or directly to a flat surface or substrate as local codes permit. Landscape luminaires feature a 0.5 in NPT threaded post for mounting to standard junction boxes and third-party mounting accessories for use in softscape and hardscape applications.
- Outdoor rated—With a rugged, die-cast aluminium housing fully sealed for maximum luminaire life and IP66-rated for outdoor applications, ColorBurst Compact Powercore is ideal for use in damp or wet locations.
- Exchangeable optics and accessories—Available 14°, 23°, 41°, and asymmetric 10° x 41° spread lenses project a soft-edge beam to support a wide range of lighting applications. Native 8° beam angle offers extended light projection.
- Versatile light positioning—ColorBurst Compact Powercore luminaires can tilt through a full 180°. ColorBurst Powercore Architectural luminaires can also rotate through a full 360° for precise aiming. Locking nuts accept standard hex wrenches to secure luminaires firmly in position.
- Universal power input range—ColorBurst Compact Powercore accepts a universal power input range of 100 to 240 VAC, allowing long luminaire runs and consistent installation in any location around the world.
- Industry-leading controls—ColorBurst Compact Powercore works seamlessly with the complete line of Color Kinetics controllers, including Light System Manager, iPlayer 3, and ColorDial Pro, as well as third-party controllers.

For detailed product information, please refer to the ColorBurst Compact Powercore Product Guide at www.colorkinetics.com/ls/rgb/colorburstcompactpc/

Specifications

Due to continuous improvements and innovations, specifications may change without notice.

Output

Beam Angle	8°
Lumens†	498
Efficacy (lm/W)	24.4
LED Channels	Red/Green/Blue

Electrical

Input Voltage	100 to 240 VAC, auto-ranging, 50/60 Hz via Data Enabler Pro
---------------	---

Power Consumption (Maximum at full output, steady state)	17.5 W
---	--------

For Surge Protection Requirements for LED Lighting Systems, please refer to www.colorkinetics.com/KB/surge-protection.

Control

Interface	Data Enabler Pro (DMX/Ethernet)
-----------	---------------------------------

Control System

Color Kinetics full range of controllers, including Light System Manager, Video System Manager Pro, iPlayer 3, Antumbra iColor Keypad, and ColorDial Pro, or third-party controllers

Remote Monitoring & Management	ActiveSite Ready, works with Interact Landmark
--------------------------------	--

Lumen Maintenance

Threshold§	Ambient Temperature	Reported¶	Calculated¶
L ₅₀	25 °C	100,000	
	50 °C	90,000	

Physical

Dimensions (Height x Width x Depth)	250 x 114 x 178 mm (9.85 x 4.5 x 7.0 in)
--	--

Weight	3.9 kg (8.7 lb)
--------	-----------------

Housing Material	Die-cast aluminium, powder-coated finish
------------------	--

Lens	Tempered glass
------	----------------

Luminaire Connections	1.8 m (6 ft) unified power/data cable with flying leads
-----------------------	---

Temperature Ranges

-40 to 50 °C (-40 to 122 °F) Operating
-20 to 50 °C (-4 to 122 °F) Startup
-40 to 80 °C (-40 to 176 °F) Storage

Vibration Resistance

Complies with ANSI C136.31, 3G

Mechanical Impact	IK07
-------------------	------

Humidity	0 to 95%, non-condensing
----------	--------------------------

Luminaire Run Lengths

To calculate luminaire run lengths and total power consumption for your specific installation, download the Configuration Calculator from www.colorkinetics.com/support/install_tool/

Certification and Safety

Approbation	CE, CQC
-------------	---------

Environment	Dry/Damp/Wet Location, IP66
-------------	-----------------------------

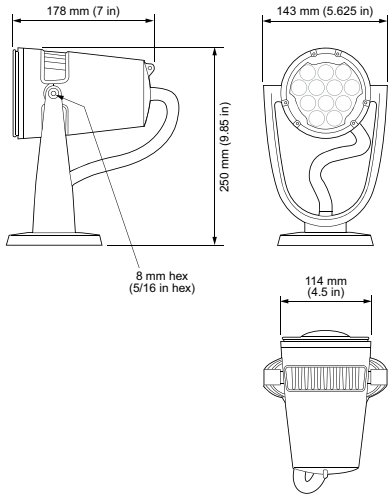


† Lumen output measurements comply with IES LM-79-08 testing procedures.

§ Lxx = xx% lumen maintenance (when light output drops below xx% of initial output). All values are given at B10, or the median value where 90% of the LED population is better than the reported or calculated lumen maintenance measurement.

¶ Lumen maintenance figures are based on lifetime prediction graphs supplied by LED source manufacturers. Whenever possible, figures use measurements that comply with IES LM-80-08 testing procedures. In accordance with TM-21-11, Reported values represent the interpolated value based on six times the LM-80-08 total test duration (in hours). Calculated values represent time durations that exceed six times the total test duration.

Dimensions



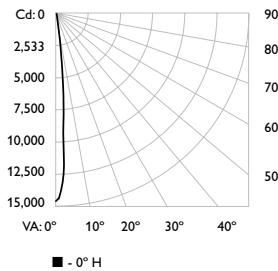
Photometrics, 8° native (no spread lens)

Photometric data is based on test results from an independent NIST traceable testing lab. IES data is available at www.colorkinetics.com/support/ies.

Beam Angle	8°
LED	RGB
Lumens	498
Efficacy (lm/W)	24.4



Polar Candela Distribution



Candela Table

0	14566
5	5643
15	131
25	55
35	25
45	18
55	5
65	2
75	1
85	0
90	0

Zonal Lumen

Zonal Lumen Summary

ZONE	LUMENS	%FIXT
0- 30	461	92.4
0- 40	477	95.8
0- 60	494	99.2
0- 90	498	100.0
90-180	0	0.0
0-180	498	100.0

For lux multiply fc by 10.7

Illuminance at Distance

	Center Beam fc	Beam Width
4.0 ft	910 fc	0.6 ft
8.0 ft	228 fc	1.2 ft
12.0 ft	101 fc	1.8 ft
16.0 ft	57 fc	2.4 ft
20.0 ft	36 fc	3.0 ft
24.0 ft	25 fc	3.6 ft

■ Beam Spread: 8.7°

Coefficients of Utilization - Zonal Cavity Method

RC	Effective Floor Cavity Reflectance: 20%																	
	80			70			50			30			10			0		
RW	70	50	30	10	70	50	30	10	50	30	10	50	30	10	50	30	10	0
0	119119119119	116116116116	111111111111	107107107	102102102	100												
1	116114113111	114112111109	108107106	105104103	101101100	98												
2	113110108105	111108106104	105104102	103101100	100	99	98	97	96	95	94							
3	110107104101	109105103101	103101	99	101	99	98	97	96	95	94							
4	108104101	98	107103100	98	101	99	97	96	95	94	93							
5	106101	98	96	105101	98	96	95	94	93	92	91							
6	104	99	96	94	103	99	96	94	93	92	91							
7	103	98	95	92	102	97	94	92	91	90	89							
8	101	96	93	91	100	96	93	91	90	89	88							
9	100	95	92	90	99	95	92	90	89	88	87							
10	99	94	91	89	98	94	91	89	88	87	86							

Luminaire and Accessories

Use Item Number when ordering in North America

Luminaire

	Item Number	Item 12NC
ColorBurst Compact Powercore <i>Black Housing, CQC, Architectural</i>	123-000019-05	910503701819

Accessories

14° Spread lens	120-000080-04	910503701415
23° Spread lens	120-000080-05	910503701416
41° Spread lens	120-000080-06	910503701417
10° x 41° Spread lens	120-000080-07	910503701418
Trim Ring, Black	120-000103-09	910503701823
45° Glare Shield, Black	120-000103-10	910503701824
Full Height Glare Shield, Black	120-000103-11	910503701825
Honeycomb Louver, Black	120-000104-01	910503701419
Mounting Arm, Short, Black	120-000201-00	912400135840
Mounting Arm, Medium, Black	120-000201-01	912400135841
Mounting Arm, Long, Black	120-000201-02	912400135842
Wiring Compartment, 4 in diameter, Black, CE	106-000011-40	910503703275
Wiring Compartment, 4 in diameter, Black, UL	106-000011-30	910503704147

Power Supplies

Data Enabler Pro, 3/4 in / 1/2 in NPT (U.S. trade size conduit)	106-000004-00	910503701210
Data Enabler Pro, PG21/PG13 (metric size conduit)	106-000004-01	910503701211

