

iColor Accent Compact

Date: _____
Type: _____
Firm Name: _____
Project: _____

RGB, 1220 mm (48 in), Clear Lens

High resolution media direct view linear LED luminaire with intelligent color light

iColor Accent Compact is a direct view linear LED luminaire ideally suited for displaying large-scale video, graphics, and intricately designed effects in a host of architectural settings. iColor Accent Compact accepts Ethernet input from the PDS-400 48V EO to support long control runs not subject to DMX data and addressing limitations. Two lens choices are available for iColor Accent Compact: a clear lens which delivers the brightest output and a translucent lens which provides the widest viewing angle.



- Precise resolution control—Luminaires can be addressed and controlled in increments down to 19 mm (0.75 in), or up to 1220 mm (4 ft).
- Native, onboard Ethernet—Luminaires accept Ethernet input from PDS-400 48V EO to support long control runs not subject to DMX data and addressing limitations.
- Three luminaire lengths—305 mm (1 ft), 610 mm (2 ft), and 1220 mm (4 ft) lengths are easily connected to create long, continuous columns or rows of intense, dynamic color. The 305 mm (1 ft) luminaires in particular allow for extra flexibility when space is at a premium.
- Rugged, durable construction—This IP66-rated luminaire is designed to meet the taxing requirements of outdoor applications. The aluminium housing resists shock, vibration, and other forms of rough handling.
- Flexible positioning—Over-molded end-to-end locking connectors supply both power and data. Connectors can make 180° turns for easy layout. Jumper cables can add extra space between luminaires.
- Industry-leading controls—Works seamlessly with the complete Color Kinetics line of controllers, including Video System Manager Pro, Light System Manager, and iPlayer 3, and any third-party controllers.
- Universal power input range—Accepts a universal power input range of 100 to 277 VAC for consistent installation anywhere in the world. Each 400 W, outdoor-rated PDS-400 48V EO can support multiple luminaires for creating long lines of video or ribbons of intricately changing color.
- ActiveSite integration—ActiveSite is the first ever cloud-hosted connected lighting system for architectural LED lighting installations. ActiveSite allows you to remotely monitor, manage, and maintain an installation site from anywhere in the world, using a secure web connection.

For detailed product information, please refer to the iColor Accent Compact Product Guide at www.colorkinetics.com/lr/rgb/iColor-Accent-Compact/

Specifications

Due to continuous improvements and innovations, specifications may change without notice.

Output

| | |
|-------------------------------|----------------|
| Viewing Angle | 105° |
| Lumens [†] | 460 |
| On-Axis Candela | 188 |
| On-Axis Candela per node | 3 |
| Efficacy (lm/W) ^{§§} | 16.4 |
| LED Channels | Red/Green/Blue |

Electrical

| | |
|---|--|
| Input Voltage | 48 VDC via PDS-400 48V EO or CM-400 48V EO |
| Power Consumption | 28 W |
| <small>(Maximum at full output, steady state)</small> | |

For Surge Protection Requirements for LED Lighting Systems, please refer to www.colorkinetics.com/KB/surge-protection.

Control

| | |
|-----------|---|
| Interface | PDS-400 48V EO (Ethernet) CM-400 48V EO (Ethernet) |
|-----------|---|

Control System

Color Kinetics full range of controllers, including Light System Manager, Video System Manager Pro, iPlayer 3, Antumbra iColor Keypad, and ColorDial Pro, or third-party controllers

| | |
|--------------------------------|--|
| Remote Monitoring & Management | ActiveSite Ready, works with Interact Landmark |
|--------------------------------|--|

Lumen Maintenance

| Threshold [§] | Ambient Temperature | Reported [¶] | Calculated [¶] |
|------------------------|---------------------|-----------------------|-------------------------|
| L ₇₀ | 25 °C | 60,000 | |
| | 50 °C | 60,000 | |
| L ₅₀ | 25 °C | 60,000 | |
| | 50 °C | 60,000 | |

Physical

| | |
|---|--|
| Dimensions <small>(Height x Width x Depth)</small> | 68.6 x 1220 x 35.3 mm (2.7 x 48 x 1.3 in) |
| Weight | 1.53 kg (3.4 lb) |
| Housing Material | Extruded aluminium and polycarbonate |
| Lens | Clear UV-protected polycarbonate |
| Luminaire Connections | Over-molded, integral male/female connectors |

Temperature Ranges

| |
|--|
| -40 to 50 °C (-40 to 122 °F) Operating |
| -20 to 50 °C (-4 to 122 °F) Startup |
| -40 to 80 °C (-40 to 176 °F) Storage |

| | |
|----------------------|--------------------------------|
| Vibration Resistance | Complies with ANSI C136.31, 3G |
| Mechanical Impact | IK10 |
| Humidity | 0 to 95%, non-condensing |

Maximum Luminaires Per Power/Data Supply

12 maximum per PDS-400 48V EO using a 15 m (50 ft) leader cable

Certification and Safety

| | |
|-------------|-----------------------------------|
| Approbation | UL/cUL, FCC Class A, CE, CQC, RCM |
| Environment | Dry/Damp/Wet Location, IP66 |



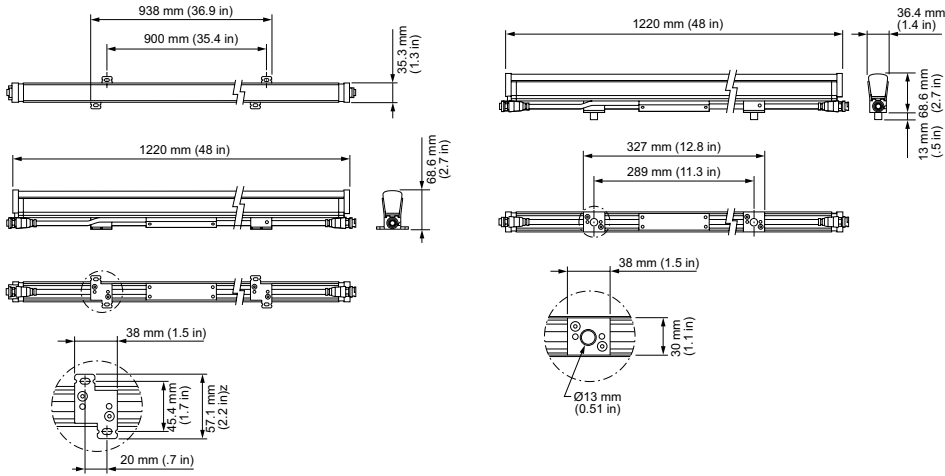
[†] 305 mm (1 ft) lumen output measurements comply with IES LM-79-08 testing procedures. 610 mm (2 ft), and 1220 mm (4 ft) measurements are estimated based on the 305 mm (1 ft) measurements.

[§] Lxx = xx% lumen maintenance (when light output drops below xx% of initial output). All values are given at B10, or the median value where 90% of the LED population is better than the reported or calculated lumen maintenance measurement.

[¶] Lumen maintenance figures are based on lifetime prediction graphs supplied by LED source manufacturers. Whenever possible, figures use measurements that comply with IES LM-80-08 testing procedures. In accordance with TM-21-11, Reported values represent the interpolated value based on six times the LM-80-08 total test duration (in hours). Calculated values represent time durations that exceed six times the total test duration.

^{§§} Efficacy measurements are estimated based on the 305 mm (1 ft) measurements.

Dimensions

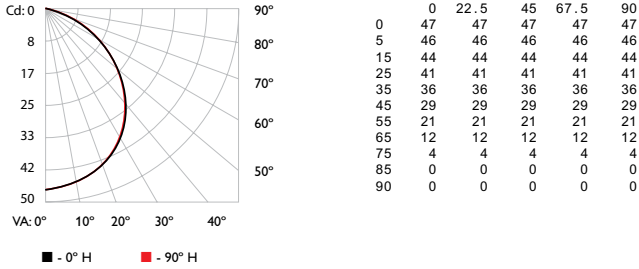


Photometrics, clear lens, 305 mm (12 in)

Photometric data is based on test results from an independent NIST traceable testing lab. IES data is available at www.colorkinetics.com/support/ies.

| | |
|-----------------|----------------------------|
| Viewing Angle | 105° |
| LED | RGB channels only, full on |
| Lumens | 115 |
| Efficacy (lm/W) | 11.5 |

Polar Candela Distribution

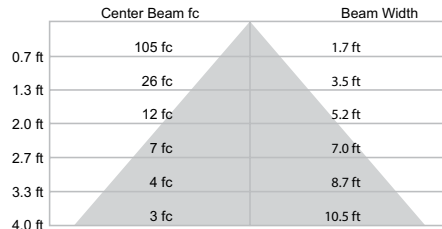


Zonal Lumen

| Zone | Lumens | % Luminaire |
|--------|--------|-------------|
| 0-30 | 35.7 | 30.9% |
| 0-40 | 58.0 | 50.2% |
| 0-60 | 99.5 | 86.0% |
| 0-90 | 115.7 | 100.0% |
| 60-90 | 16.2 | 14.0% |
| 70-100 | 4.1 | 3.6% |
| 90-120 | 0.0 | 0.0% |
| 90-180 | 0.0 | 0.0% |
| 0-180 | 115.7 | 100.0% |

For lux multiply fc by 10.7

Illuminance at Distance



6.8 ft (2.1 m)
1 fc maximum distance
■ Vert. Spread: 105.2°
■ Horiz. Spread: 105.2°

Coefficients of Utilization - Zonal Cavity Method

| RCC %: | Effective Floor Cavity Reflectance: 20% | | | | | | | | | | | | | | | | | | | | | | | |
|--------|---|------|------|------|------|------|------|------|------|------|------|------|------|------|------|------|------|------|------|------|------|------|------|------|
| | 80 | | | | 70 | | | | 50 | | | | 30 | | | | 10 | | | | 0 | | | |
| RW %: | 70 | 50 | 30 | 0 | 70 | 50 | 30 | 0 | 50 | 30 | 20 | 0 | 50 | 30 | 20 | 0 | 50 | 30 | 20 | 0 | 50 | 30 | 20 | 0 |
| RCR: | 0 | 1.19 | 1.19 | 1.19 | 1.19 | 1.16 | 1.16 | 1.16 | 1.00 | 1.11 | 1.11 | 1.11 | 1.06 | 1.06 | 1.06 | 1.02 | 1.02 | 1.02 | 1.00 | 1.00 | 1.00 | 1.00 | 1.00 | 1.00 |
| | 1 | 1.10 | 1.06 | 1.02 | 0.99 | 1.08 | 1.04 | 1.00 | 0.87 | 1.00 | 0.97 | 0.94 | 0.96 | 0.93 | 0.91 | 0.92 | 0.90 | 0.89 | 0.87 | 0.87 | 0.87 | 0.87 | 0.87 | |
| | 2 | 1.01 | 0.94 | 0.87 | 0.82 | 0.98 | 0.92 | 0.86 | 0.75 | 0.88 | 0.83 | 0.79 | 0.85 | 0.81 | 0.78 | 0.82 | 0.79 | 0.76 | 0.74 | 0.74 | 0.74 | 0.74 | 0.74 | |
| | 3 | 0.93 | 0.83 | 0.75 | 0.69 | 0.90 | 0.81 | 0.74 | 0.65 | 0.78 | 0.72 | 0.67 | 0.76 | 0.71 | 0.66 | 0.73 | 0.69 | 0.65 | 0.63 | 0.63 | 0.63 | 0.63 | 0.63 | |
| | 4 | 0.85 | 0.74 | 0.65 | 0.59 | 0.83 | 0.72 | 0.65 | 0.56 | 0.70 | 0.63 | 0.58 | 0.68 | 0.62 | 0.57 | 0.66 | 0.61 | 0.56 | 0.54 | 0.54 | 0.54 | 0.54 | 0.54 | |
| | 5 | 0.78 | 0.66 | 0.58 | 0.51 | 0.76 | 0.65 | 0.57 | 0.49 | 0.63 | 0.56 | 0.50 | 0.61 | 0.55 | 0.50 | 0.59 | 0.54 | 0.49 | 0.47 | 0.47 | 0.47 | 0.47 | 0.47 | |
| | 6 | 0.72 | 0.60 | 0.51 | 0.45 | 0.71 | 0.59 | 0.51 | 0.43 | 0.57 | 0.50 | 0.44 | 0.55 | 0.49 | 0.44 | 0.54 | 0.48 | 0.44 | 0.42 | 0.42 | 0.42 | 0.42 | 0.42 | |
| | 7 | 0.67 | 0.54 | 0.46 | 0.40 | 0.66 | 0.53 | 0.45 | 0.39 | 0.52 | 0.45 | 0.39 | 0.50 | 0.44 | 0.39 | 0.49 | 0.43 | 0.39 | 0.37 | 0.37 | 0.37 | 0.37 | 0.37 | |
| | 8 | 0.63 | 0.50 | 0.41 | 0.36 | 0.61 | 0.49 | 0.41 | 0.35 | 0.48 | 0.40 | 0.35 | 0.46 | 0.40 | 0.35 | 0.45 | 0.39 | 0.35 | 0.33 | 0.33 | 0.33 | 0.33 | 0.33 | |
| | 9 | 0.59 | 0.45 | 0.37 | 0.32 | 0.57 | 0.45 | 0.37 | 0.31 | 0.44 | 0.37 | 0.32 | 0.43 | 0.36 | 0.32 | 0.42 | 0.36 | 0.32 | 0.30 | 0.30 | 0.30 | 0.30 | 0.30 | |
| | 10 | 0.55 | 0.42 | 0.34 | 0.29 | 0.54 | 0.41 | 0.34 | 0.29 | 0.40 | 0.34 | 0.29 | 0.40 | 0.33 | 0.29 | 0.39 | 0.33 | 0.29 | 0.27 | 0.27 | 0.27 | 0.27 | 0.27 | |

Luminaire and Accessories

Use Item Number when ordering in North America

Luminaire

| | Item Number | Item 12NC |
|--|---------------|--------------|
| iColor Accent Compact RGB, 1220 mm (48 in), Clear Lens | 101-000200-05 | 912400133776 |

Accessories

| | | |
|-----------------------------------|---------------|--------------|
| Horizontal Louver, 1220 mm (4 ft) | 120-000200-02 | 912400133794 |
| Vertical Louver, 1220 mm (4 ft) | 120-000200-05 | 912400133797 |
| Rear Mounting Studs, 2 pieces | 120-000200-06 | 912400133798 |
| Leader Cable, 15 m (50 ft) | 108-000200-00 | 912400133789 |
| Leader Cable, 30 m (100 ft) | 108-000200-01 | 912400133790 |
| Jumper Cable, 305 mm (1 ft) | 108-000200-03 | 912400134184 |
| Jumper Cable, 1.5 m (5 ft) | 108-000200-02 | 912400133791 |

Power Supplies

| | | |
|---|---------------|--------------|
| PDS-400 48V, EO Power/Data Supply, Ethernet, UL | 109-000200-00 | 912400133799 |
| PDS-400 48V, EO Power/Data Supply, Ethernet, CE | 109-000200-01 | 912400134110 |
| CM-400 48V EO, Control Module, Ethernet | 109-000210-01 | 912400133802 |
| PS-600 48V, Power Supply, IP66 | 109-000220-00 | 912400133803 |
| PS-480 48V, Power Supply, IP20, DIN rail | 109-000220-01 | 912400133804 |



© 2018 Signify Holding. All rights reserved. Specifications are subject to change without notice. No representation or warranty as to the accuracy or completeness of the information included herein is given and any liability for any action in reliance thereon is disclaimed.

Color Kinetics
www.colorkinetics.com/ls/rgb/iColor-Accent-Compact/