

# eW Burst Powercore gen2

Date: \_\_\_\_\_  
Type: \_\_\_\_\_  
Firm Name: \_\_\_\_\_  
Project: \_\_\_\_\_

**OptiField, 2700 K, Gray Housing,  
Architectural**

## Exterior architectural and landscape spotlight OptiField luminaire with single temperature white light

eW Burst Powercore gen2, OptiField is a high output, exterior rated LED luminaire designed for accent and site lighting. eW Burst Powercore gen2, OptiField provides uniform lighting across large surfaces and increases application efficiency by directing more light on a specific target. Architectural and Landscape versions deliver high-quality white light output in a warm 2700 K and a neutral 4000 K to support a range of uplighting, floodlighting, and decorative lighting applications.



- Uniform illumination—eW Burst Powercore gen2, OptiField delivers a uniformity ratio of 3.8:1 on a 6.1 m (20 ft) wall with a 1 m (3 ft) setback.
- Precise control of light—Asymmetric optic design provides precise control of light and delivers more illumination with higher uniformity at a lower power than comparable fluorescent asymmetric reflector solutions.
- Design flexibility—eW Burst Powercore gen2, OptiField is designed to adapt to its surroundings regardless of the wall height, setback, or spacing of an installation.
- Expands customization with a wide range of new accessory options. Four housing color choices (black, gray, white, and bronze)—plus the option to add a trim ring or a half glare shield—create new aesthetic possibilities for designers and architects.
- Complies with ASTM B117 corrosion resistance standard for > 1,500 hours and ANSI C136.31-2010 standard with a 3G vibration rating.
- Integrates patented Powercore technology that controls power output to luminaires directly from line voltage – rapidly, efficiently, and accurately. The Color Kinetics Data Enabler Pro merges line voltage with control data and delivers them to luminaires over a single standard cable, dramatically simplifying installation and lowering total system cost.
- Improves durability with new flat lens that prevents water from pooling into the luminaire, keeping the LEDs protected and secure over the course of a luminaire's lifetime.
- Universal power input range of 100 to 277 VAC.
- Digital Dimming—Smooth dimming down to 1% with optional Data Enabler Pro and digital control interface.

For detailed product information, please refer to the Burst Family Product Guide at [www.colorkinetics.com/global/products/essentialwhite/ew-burst-powercore-gen2-fta/](http://www.colorkinetics.com/global/products/essentialwhite/ew-burst-powercore-gen2-fta/)

# Specifications

Due to continuous improvements and innovations, specifications may change without notice.

## Output

|                    |        |
|--------------------|--------|
| Color Temperature* | 2700 K |
| Lumens†            | 1,247  |
| Efficacy (lm/W)    | 44.6   |
| CRI                | 81     |

## Electrical

|   |  |
|---|--|
| Input Voltage   | 100 to 277 VAC, auto-ranging, 50/60 Hz     |
| Power Consumption<br>(Maximum at full output, steady state) | 30 W                                       |
| Power Factor  | > 0.9 @ 100 to 240 VAC<br>> 0.85 @ 277 VAC |

*For Surge Protection Requirements for LED Lighting Systems, please refer to [www.colorkinetics.com/KB/surge-protection](http://www.colorkinetics.com/KB/surge-protection).*

## Control

### Dimmer‡

|   |  |
|---|--|
| ON/OFF; precision dimming by 4 conductor cable & Data Enabler Pro |  |
| Remote Monitoring & Management                                    | ActiveSite Ready, works with Interact Landmark |

## Lumen Maintenance

| Threshold§      | Ambient Temperature | Reported¶ | Calculated¶ |
|-----------------|---------------------|-----------|-------------|
| L <sub>90</sub> | 25 °C               | > 51,000  | 72,000      |
|                 | 50 °C               | 25,000    | 25,000      |
| L <sub>80</sub> | 25 °C               |           | > 100,000   |
|                 | 50 °C               | 51,000    | 51,000      |
| L <sub>70</sub> | 25 °C               | > 51,000  | > 100,000   |
|                 | 50 °C               | > 51,000  | > 80,000    |

## Physical

|  |  |
|--|--|
| Dimensions<br>(Height x Width x Depth) | 287 x 210 x 186 mm (11.3 x 8.3 x 7.3 in)   |
| Weight                                 | 5.5 kg (12.1 lb)   |
| Effective Projected Area (EPA)         | 0.026 m <sup>2</sup> (0.28 ft <sup>2</sup> )<br>(Luminaire plus Full Glare Shield) |
| Housing Material                       | Die-cast aluminium, powder-coated finish   |
| Lens                                   | Clear tempered glass   |
| Luminaire Connections                  | 1.8 m (6 ft) unified power/data cable  |

## Temperature Ranges

|  |
|--|
| -40 to 50 °C (-40 to 122 °F) Operating |
| -20 to 50 °C (-4 to 122 °F) Startup    |
| -40 to 80 °C (-40 to 176 °F) Storage   |

## Vibration Resistance

|                                |      |
|--------------------------------|------|
| Complies with ANSI C136.31, 3G |      |
| Mechanical Impact              | IK08 |

## Corrosion Resistance

|  |                          |
|--|--------------------------|
| Complies with ASTM B117 standard for > 1,500 hours |                          |
| Humidity   | 0 to 95%, non-condensing |

## Luminaire Run Lengths

To calculate luminaire run lengths and total power consumption for your specific installation, download the Configuration Calculator from [www.colorkinetics.com/support/install\\_tool/](http://www.colorkinetics.com/support/install_tool/)

## Certification and Safety

|             |  |
|-------------|--|
| Approbation | UL/cUL, FCC Class A, CE, PSE, CQC, RCM |
| Environment | Dry/Damp/Wet Location, IP66            |



\* Correlated color temperature (CCT) complies with ANSI C78.377-2008 for the chromaticity of solid state lighting products.

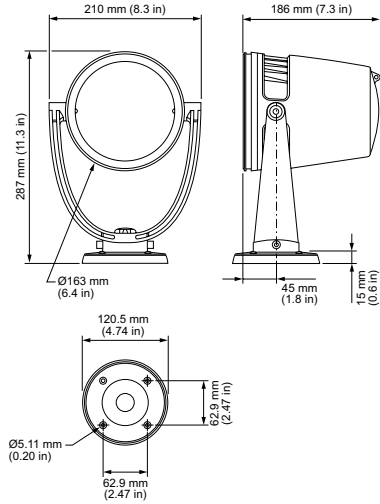
† Lumen output measurements comply with IES LM-79-08 testing procedures.

‡ Refer to [www.colorkinetics.com/support/appnotes/](http://www.colorkinetics.com/support/appnotes/) for more information.

§ L<sub>xx</sub> = xx% lumen maintenance (when light output drops below xx% of initial output). All values are given at B10, or the median value where 90% of the LED population is better than the reported or calculated lumen maintenance measurement.

¶ Lumen maintenance figures are based on lifetime prediction graphs supplied by LED source manufacturers. Whenever possible, figures use measurements that comply with IES LM-80-08 testing procedures. In accordance with TM-21-11, Reported values represent the interpolated value based on six times the LM-80-08 total test duration (in hours). Calculated values represent time durations that exceed six times the total test duration.

# Dimensions

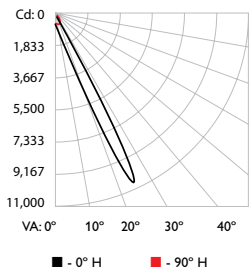


## Photometrics, OptiField, 2700 K, all channels full on, native (no spread lens)

Photometric data is based on test results from an independent NIST traceable testing lab. IES data is available at [www.colorkinetics.com/support/ies](http://www.colorkinetics.com/support/ies).

|                        |        |
|------------------------|--------|
| LEDs @                 | 2700 K |
| Lumens                 | 1,247  |
| Efficacy (lm/W)        | 44.6   |
| Target area uniformity | 3.8:1  |

### Polar Candela Distribution

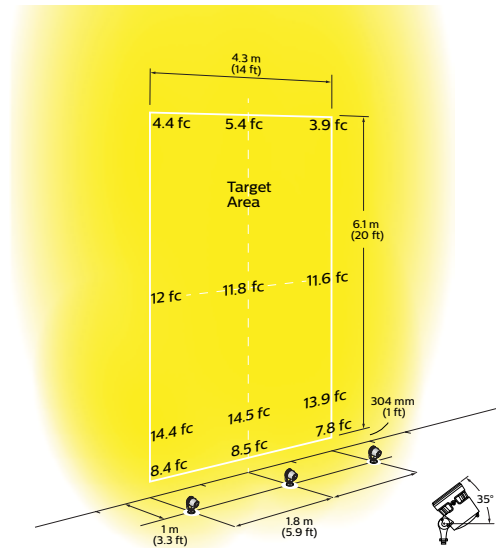


|    |       |      |      |      |     |
|----|-------|------|------|------|-----|
|    | 0     | 22.5 | 45   | 67.5 | 90  |
| 0  | 611   | 611  | 611  | 611  | 611 |
| 5  | 878   | 849  | 780  | 696  | 612 |
| 15 | 2450  | 2175 | 1519 | 967  | 624 |
| 25 | 10707 | 6410 | 1666 | 721  | 494 |
| 35 | 96    | 139  | 167  | 84   | 149 |
| 45 | 50    | 43   | 31   | 26   | 24  |
| 55 | 22    | 18   | 18   | 17   | 14  |
| 65 | 21    | 12   | 11   | 13   | 10  |
| 75 | 21    | 5    | 5    | 7    | 5   |
| 85 | 1     | 1    | 1    | 3    | 1   |
| 90 | 0     | 2    | 1    | 1    | 1   |

### Zonal Lumen

| Zone   | Lumens  | % Luminaire |
|--------|---------|-------------|
| 0-30   | 1,057.2 | 84.0%       |
| 0-40   | 1,182.8 | 94.0%       |
| 0-60   | 1,231.8 | 97.9%       |
| 60-90  | 19.8    | 1.6%        |
| 70-100 | 9.3     | 0.7%        |
| 90-120 | 2.4     | 0.2%        |
| 0-90   | 1,251.7 | 99.4%       |
| 90-180 | 7.0     | 0.6%        |
| 0-180  | 1,258.7 | 100.0%      |

For lux multiply fc by 10.7



eW Burst Powercore gen4, OptiField Notes. Although this luminaire is designed to meet a large number of installation needs, specifically wall heights, we recommend using a measurement area like the example with a measurement grid of 610 mm (2 ft) or smaller. This approach will help you consistently create simulations that match mock-ups. In order to achieve the highest delivered illuminance and maximum level of uniformity, we recommend aiming the luminaire at a 35° rotation.

# Luminaire and Accessories

Use Item Number when ordering in North America

| Luminaire   | Item Number   | Item 12NC    |
|---|---------------|--------------|
| eW Burst Powercore gen2 <i>OptiField, 2700 K, Gray Housing, Architectural</i> | 523-000101-01 | 912400135397 |
| <b>Accessories</b>  |               |              |
| Trim Ring, Gray   | 120-000189-20 | 912400135449 |
| Half Glare Shield, Gray   | 120-000189-24 | 912400135453 |
| Mounting Arm, Short, Gray   | 120-000201-03 | 912400135843 |
| Mounting Arm, Medium, Gray  | 120-000201-04 | 912400135844 |
| Mounting Arm, Long, Gray  | 120-000201-05 | 912400135845 |
| Wiring Compartment, 4 in diameter, Gray, CE                                   | 106-000011-42 | 910503703277 |
| Wiring Compartment, 4 in diameter, Gray, UL                                   | 106-000011-32 | 910503704149 |
| <b>Power Supplies</b>   |               |              |
| Data Enabler Pro, 3/4 in / 1/2 in NPT (U.S. trade size conduit)               | 106-000004-00 | 910503701210 |
| Data Enabler Pro, PG21/PG13 (metric size conduit)                             | 106-000004-01 | 910503701211 |



© 2019 Signify Holding. All rights reserved. Specifications are subject to change without notice. No representation or warranty as to the accuracy or completeness of the information included herein is given and any liability for any action in reliance thereon is disclaimed.

Color Kinetics  
[www.colorkinetics.com/global/products/essentialwhite/ew-burst-powercore-gen2-fta/](http://www.colorkinetics.com/global/products/essentialwhite/ew-burst-powercore-gen2-fta/)