

Date: _____
Type: _____
Firm Name: _____
Project: _____

Vaya Flood LP G2

RGB, 40°, CE/CQC/PSE

Low power architectural LED flood light for dynamic color-changing lighting effects

Vaya Flood LP (gen2) is a reliable and cost effective LED flood lighting solution for both interior and exterior use that minimizes the initial investment, while providing exceptional flexibility to create eye-catching flood, wash and accent lighting effects. A wide choice of beam angles and color options let you bring a property to life with either static or dynamically changing colors. Extended light throw and high efficacy set this compact & robust luminaire apart. Its integrated power and adjustable tilt angle make this product versatile and easy to use.



- **Powerful** - Throwing light with 10lx up to 20 m / 1fc up to 64 ft high, this wide beam luminaire is a powerful solution for any size of project.
- **Compact** - Unlike other flood lighting solutions, the Vaya Flood series are compact sized & light-weight luminaires, that combine an aluminium die-cast housing which is both anodized and powder coated to protect against corrosion, tempered glass, pressure equalizing air vents and IP66 outdoor rating, making the product robust against harsh outdoor environments.
- **Simple** - Direct line voltage (100 to 240 VAC) input eliminates the need for remote power supply unit, minimizing the system components and risk points, allowing for an easy and fast installation. ESTA DMX-512 control allows for dynamic control with industry standard protocols, allowing for easy setup and 3rd party system integration.
- **Versatile** - A selection of four different beam angles from narrow spot projections to wide open-beam flood lighting applications, custom LED configurations and generous tilt aiming, make the Vaya Flood series a versatile tool box for a host of small to large, interior and exterior applications.
- **Custom Configurations** - A host of configured options is available from the Ordering Guide

For detailed product information, please refer to the Vaya Flood LP G2 Product Guide at www.colorkinetics.com/vaya/flood-lp-g2-rgb/

COLORKINETICS
vaya series

Specifications

Due to continuous improvements and innovations, specifications may change without notice.

Output

LED Channels	Red/Green/Blue
Beam Angle	40°
Lumens All Channels Full On	1,400

Electrical

Input Voltage	100 to 240 VAC, 50/60 Hz
Power Consumption	45 W <i>(Maximum at full output, steady state)</i>

Control

Control System

Compatible with the full range of Color Kinetics controllers and trigger devices, including Color Kinetics and Dynalite, or third-party controllers

Interface	DMX/RDM
-----------	---------

Remote Monitoring & Management	ActiveSite Ready, works with Interact Landmark
--------------------------------	--

Lumen Maintenance

Threshold [§]	Ambient Temperature	Reported [¶]	Calculated [¶]
	L70	25 °C 40 °C	> 60,000 > 60,000
L50	25 °C 40 °C	> 60,000 > 60,000	> 100,000 > 100,000

Physical

Dimensions <i>(Height x Width x Depth)</i>	223 x 236 x 105 mm (9 x 9.3 x 4 in) <i>Including mounting bracket</i> 195 x 213 x 52 mm (8 x 8.4 x 2 in) <i>Excluding mounting bracket</i>
Weight	3.48 kg (7.7 lb)
Housing Material	Die-cast aluminium, dark grey powder-coated finish
Lens	Clear tempered glass
Temperature Range	-40 to 40 °C (-40 to 104 °F) Operating -20 to 40 °C (-4 to 104 °F) Startup -40 to 80 °C (-40 to 176 °F) Storage
Mechanical Impact	IK07
Humidity	0 to 95%, non-condensing

Certification and Safety

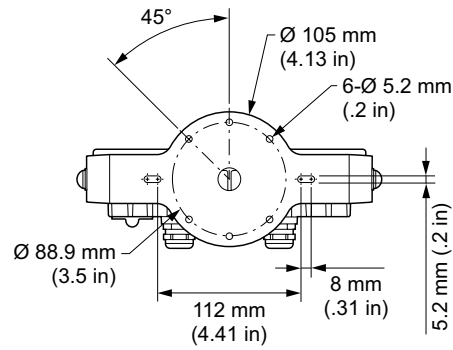
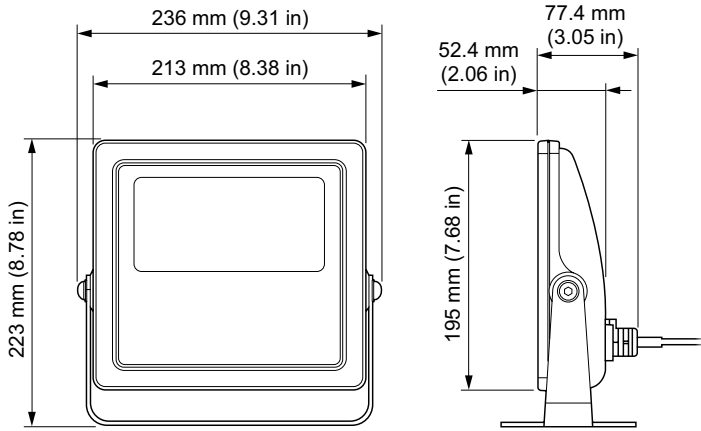
Approbation	CE, PSE, CQC, RCM
Environment	Dry/Damp/Wet Location, IP66



[§] Lxx = xx% lumen maintenance (when light output drops below xx% of initial output). All values are given at B50, or the median value where 50% of the LED population is better than the reported or calculated lumen maintenance measurement.

[¶] Lumen maintenance figures are based on lifetime prediction graphs supplied by LED source manufacturers. Whenever possible, figures use measurements that comply with IES LM-80-08 testing procedures. In accordance with TM-21-11, Reported values represent the interpolated value based on six times the LM-80-08 total test duration (in hours). Calculated values represent time durations that exceed six times the total test duration.

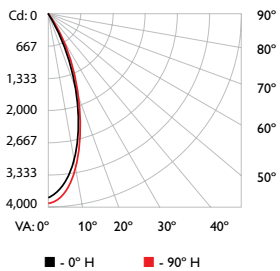
Dimensions



Photometrics RGB, 40°, CE/CQC/PSE

Photometric data is based on test results from an independent NIST traceable testing lab. IES data is available at www.colorkinetics.com/support/ies.

Polar Candela Distribution



	0	22.5	45	67.5	90
0	3831	3831	3831	3831	3831
5	3554	3557	3580	3580	3697
15	2437	2477	2464	2437	2567
25	565	614	600	607	697
35	91	93	97	97	97
45	34	34	34	34	31
55	17	17	16	16	16
65	8	7	7	7	7
75	3	3	3	3	3
85	0	0	0	0	0
90	0	0	0	0	0

Illuminance at Distance

	Center Beam fc	Beam Width
4 ft	239.45 fc	2.5 ft 2.6 ft
8 ft	59.86 fc	5 ft 5.3 ft
12 ft	26.61 fc	7.5 ft 7.9 ft
16 ft	14.97 fc	10 ft 10.5 ft
20 ft	9.58 fc	12.5 ft 13.2 ft
24 ft	6.65 fc	15 ft 15.8 ft

62 ft (19 m)
1 fc maximum distance
■ Vert. Spread: 34.7°
■ Horiz. Spread: 36.5°

Luminaire and Accessories

Use Item Number when ordering in North America

Luminaire

	Item Number	Item 12NC
Vaya Flood LP G2, RGB, 40°, CE/CQC/PSE	316-000015-02	912400133975

Accessories

Mounting Arm, Short, Gray	120-000201-03	912400135843
Mounting Arm, Medium, Gray	120-000201-04	912400135844
Mounting Arm, Long, Gray	120-000201-05	912400135845
DMX Splitter & Booster (RDM-6 Wall)	303-000002-00	910503704250
SmartJack Pro	103-000024-00	910503700582
Multi-Protocol Converter	104-000015-00	910503701414
Multi-Protocol Converter 8	104-000018-00	912400136052

COLORKINETICS vaya series

© 2019 Signify Holding. All rights reserved. Specifications are subject to change without notice. No representation or warranty as to the accuracy or completeness of the information included herein is given and any liability for any action in reliance thereon is disclaimed.

Color Kinetics
www.colorkinetics.com/vaya/flood-lp-g2-rgb/