

# ColorBurst Compact Powercore

Date: \_\_\_\_\_  
Type: \_\_\_\_\_  
Firm Name: \_\_\_\_\_  
Project: \_\_\_\_\_

23° Spread Lens, Gray Housing, UL/  
cUL/CE, Landscape

## Compact architectural and landscape LED spotlight with intelligent color light

ColorBurst Compact Powercore is a high-output, exterior-rated LED lighting luminaire designed for accent and site lighting. Architectural and landscape luminaires deliver full-color light output of up to 498 lumens to support a range of uplighting, floodlighting, and decorative lighting applications.



- Integrates patented Powercore technology—Powercore technology rapidly, efficiently, and accurately controls power output to luminaires directly from line voltage. The Color Kinetics Data Enabler Pro merges line voltage and control data and delivers them to the luminaire over a single standard cable, dramatically simplifying installation and lowering total system cost.
- Support for a wide range of architectural and landscape applications—Architectural luminaires feature an integrated yoke with canopy base for mounting to standard US junction boxes or directly to a flat surface or substrate as local codes permit. Landscape luminaires feature a 0.5 in NPT threaded post for mounting to standard junction boxes and third-party mounting accessories for use in softscape and hardscape applications.
- Outdoor rated—With a rugged, die-cast aluminium housing fully sealed for maximum luminaire life and IP66-rated for outdoor applications, ColorBurst Compact Powercore is ideal for use in damp or wet locations.
- Exchangeable optics and accessories—Available 14°, 23°, 41°, and asymmetric 10° x 41° spread lenses project a soft-edge beam to support a wide range of lighting applications. Native 8° beam angle offers extended light projection.
- Versatile light positioning—ColorBurst Compact Powercore luminaires can tilt through a full 180°. ColorBurst Powercore Architectural luminaires can also rotate through a full 360° for precise aiming. Locking nuts accept standard hex wrenches to secure luminaires firmly in position.
- Universal power input range—ColorBurst Compact Powercore accepts a universal power input range of 100 to 240 VAC, allowing long luminaire runs and consistent installation in any location around the world.
- Industry-leading controls—ColorBurst Compact Powercore works seamlessly with the complete line of Color Kinetics controllers, including Light System Manager, iPlayer 3, and ColorDial Pro, as well as third-party controllers.

For detailed product information, please refer to the ColorBurst Compact Powercore Product Guide at [www.colorkinetics.com/ls/rgb/colorburstcompactpc/](http://www.colorkinetics.com/ls/rgb/colorburstcompactpc/)

# Specifications

Due to continuous improvements and innovations, specifications may change without notice.

## Output

Beam Angle	23°
Lumens†	418
Efficacy (lm/W)	20.5
LED Channels	Red/Green/Blue

## Electrical

Input Voltage	100 to 240 VAC, auto-ranging, 50/60 Hz via Data Enabler Pro
---------------	---

Power Consumption (Maximum at full output, steady state)	17.5 W
---	--------

*For Surge Protection Requirements for LED Lighting Systems, please refer to [www.colorkinetics.com/KB/surge-protection](http://www.colorkinetics.com/KB/surge-protection).*

## Control

Interface	Data Enabler Pro (DMX/Ethernet)
-----------	---------------------------------

## Control System

Color Kinetics full range of controllers, including Light System Manager, Video System Manager Pro, iPlayer 3, Antumbra iColor Keypad, and ColorDial Pro, or third-party controllers

Remote Monitoring & Management	ActiveSite Ready, works with Interact Landmark
--------------------------------	--

## Lumen Maintenance

Threshold§	Ambient Temperature	Reported¶	Calculated¶
L <sub>50</sub>	25 °C	100,000	
	50 °C	90,000	

## Physical

Dimensions (Height x Width x Depth)	205 x 114 x 178 mm (8.06 x 4.5 x 7.0 in)
--	--

Weight	2 kg (4.4 lb)
--------	---------------

Housing Material	Die-cast aluminium, powder-coated finish
------------------	--

Lens	Tempered glass
------	----------------

Luminaire Connections	152 mm (6 in) flying leads
-----------------------	----------------------------

## Temperature Ranges

-40 to 50 °C (-40 to 122 °F) Operating

-20 to 50 °C (-4 to 122 °F) Startup

-40 to 80 °C (-40 to 176 °F) Storage

Mechanical Impact	IK07
-------------------	------

Humidity	0 to 95%, non-condensing
----------	--------------------------

## Luminaire Run Lengths

To calculate luminaire run lengths and total power consumption for your specific installation, download the Configuration Calculator from [www.colorkinetics.com/support/install\\_tool/](http://www.colorkinetics.com/support/install_tool/)

## Certification and Safety

Approbation	UL/cUL, FCC Class A, CE, PSE, C-Tick, CQC, SAA
-------------	--

Environment	Dry/Damp/Wet Location, IP66
-------------	-----------------------------

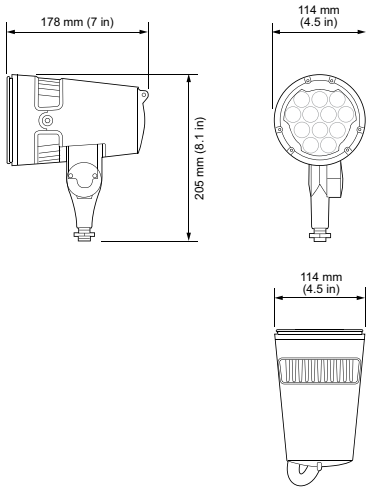


† Lumen output measurements comply with IES LM-79-08 testing procedures.

§ L<sub>xx</sub> = xx% lumen maintenance (when light output drops below xx% of initial output). All values are given at B10, or the median value where 90% of the LED population is better than the reported or calculated lumen maintenance measurement.

¶ Lumen maintenance figures are based on lifetime prediction graphs supplied by LED source manufacturers. Whenever possible, figures use measurements that comply with IES LM-80-08 testing procedures. In accordance with TM-21-11, Reported values represent the interpolated value based on six times the LM-80-08 total test duration (in hours). Calculated values represent time durations that exceed six times the total test duration.

# Dimensions



## Photometrics, 23° spread lens

Photometric data is based on test results from an independent NIST traceable testing lab. IES data is available at [www.colorkinetics.com/support/ies](http://www.colorkinetics.com/support/ies).

Beam Angle	23°
LED	RGB
Lumens	418
Efficacy (lm/W)	20.5

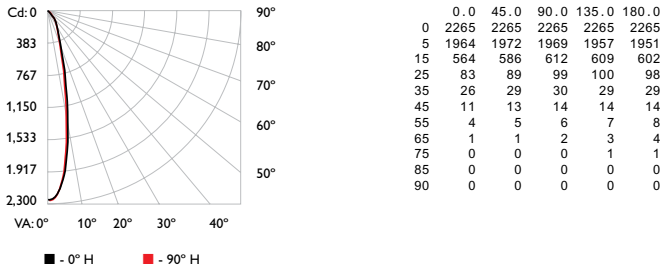


## Illuminance at Distance

	Center Beam fc	Beam Width
4.0 ft	142 fc	1.5 ft 1.5 ft
8.0 ft	35 fc	3.0 ft 3.1 ft
12.0 ft	18 fc	4.5 ft 4.6 ft
16.0 ft	9 fc	6.0 ft 6.2 ft
20.0 ft	6 fc	7.5 ft 7.7 ft
24.0 ft	4 fc	9.0 ft 9.2 ft

■ Vert. Spread: 21.3°  
■ Horiz. Spread: 21.8°

## Polar Candela Distribution



## Zonal Lumen

ZONE	LUMENS	%FIXT
0- 30	381	91.1
0- 40	400	95.6
0- 60	416	99.4
0- 90	418	100.0
90-180	0	0.0
0-180	418	100.0

## Coefficients of Utilization - Zonal Cavity Method

RC	Effective Floor Cavity Reflectance: 20%																	
	80			70			50			30			10					
RW	70	50	30	10	70	50	30	10	50	30	10	50	30	10	50	30	10	
0	1191	191	191	119	1161	161	161	116	1111	1111	1111	1061	1061	106	1021	1021	102	100
1	1151	121	111	109	1121	101	091	107	1061	051	04	1031	1021	101	99	99	98	96
2	1111	107	104	101	1091	051	031	100	1021	00	98	99	98	96	97	95	94	93
3	1071	102	99	96	1051	01	98	95	99	96	94	96	94	92	94	92	91	90
4	104	98	94	91	102	97	94	91	95	92	90	93	91	89	92	90	88	87
5	101	95	91	87	99	94	90	87	92	89	86	91	88	86	89	87	85	84
6	98	91	87	84	96	91	87	84	89	86	83	88	85	83	87	84	82	81
7	95	89	84	81	94	88	84	81	87	83	81	86	83	80	85	82	80	79
8	92	86	82	79	91	85	81	79	84	81	78	84	80	78	83	80	78	77
9	90	83	79	77	89	83	79	77	82	79	76	82	78	76	81	78	76	75
10	88	81	77	75	87	81	77	74	80	77	74	80	76	74	79	76	74	73

For lux multiply fc by 10.7

# Luminaire and Accessories

Use Item Number when ordering in North America

Luminaire	Item Number	Item 12NC
ColorBurst Compact Powercore <i>Gray Housing, UL/cUL/CE, Landscape Luminaire only. Values in this specification sheet represent both the luminaire and spread lens combined. Spread lens available below in Associated Part.</i>	123-000019-00	910503701236
<b>Associated Part</b>		
23° Spread lens <i>Trim Ring or Glare Shield required for mounting. Must be ordered separately.</i>	120-000080-05	910503701416
<b>Accessories</b>		
Trim Ring, Gray	120-000103-03	910503701420
45° Glare Shield, Gray	120-000103-04	910503701421
Full Height Glare Shield, Gray	120-000103-05	910503701422
Honeycomb Louver, Black	120-000104-01	910503701419
<b>Power Supplies</b>		
Data Enabler Pro, 3/4 in / 1/2 in NPT (U.S. trade size conduit)	106-000004-00	910503701210
Data Enabler Pro, PG21/PG13 (metric size conduit)	106-000004-01	910503701211



© 2019 Signify Holding. All rights reserved. Specifications are subject to change without notice. No representation or warranty as to the accuracy or completeness of the information included herein is given and any liability for any action in reliance thereon is disclaimed.

Color Kinetics  
[www.colorkinetics.com/ls/rgb/colorburstcompactpc/](http://www.colorkinetics.com/ls/rgb/colorburstcompactpc/)