

ColorBurst Compact Powercore

Date: _____
Type: _____
Firm Name: _____
Project: _____

23° Spread Lens, White Housing, UL/
cUL/CE, Landscape

Compact architectural and landscape LED spotlight with intelligent color light

ColorBurst Compact Powercore is a high-output, exterior-rated LED lighting luminaire designed for accent and site lighting. Architectural and landscape luminaires deliver full-color light output of up to 498 lumens to support a range of uplighting, floodlighting, and decorative lighting applications.



- Integrates patented Powercore technology—Powercore technology rapidly, efficiently, and accurately controls power output to luminaires directly from line voltage. The Color Kinetics Data Enabler Pro merges line voltage and control data and delivers them to the luminaire over a single standard cable, dramatically simplifying installation and lowering total system cost.
- Support for a wide range of architectural and landscape applications—Architectural luminaires feature an integrated yoke with canopy base for mounting to standard US junction boxes or directly to a flat surface or substrate as local codes permit. Landscape luminaires feature a 0.5 in NPT threaded post for mounting to standard junction boxes and third-party mounting accessories for use in softscape and hardscape applications.
- Outdoor rated—With a rugged, die-cast aluminium housing fully sealed for maximum luminaire life and IP66-rated for outdoor applications, ColorBurst Compact Powercore is ideal for use in damp or wet locations.
- Exchangeable optics and accessories—Available 14°, 23°, 41°, and asymmetric 10° x 41° spread lenses project a soft-edge beam to support a wide range of lighting applications. Native 8° beam angle offers extended light projection.
- Versatile light positioning—ColorBurst Compact Powercore luminaires can tilt through a full 180°. ColorBurst Powercore Architectural luminaires can also rotate through a full 360° for precise aiming. Locking nuts accept standard hex wrenches to secure luminaires firmly in position.
- Universal power input range—ColorBurst Compact Powercore accepts a universal power input range of 100 to 240 VAC, allowing long luminaire runs and consistent installation in any location around the world.
- Industry-leading controls—ColorBurst Compact Powercore works seamlessly with the complete line of Color Kinetics controllers, including Light System Manager, iPlayer 3, and ColorDial Pro, as well as third-party controllers.

For detailed product information, please refer to the ColorBurst Compact Powercore Product Guide at www.colorkinetics.com/ls/rgb/colorburstcompactpc/

Specifications

Due to continuous improvements and innovations, specifications may change without notice.

Output

| | |
|-----------------|----------------|
| Beam Angle | 23° |
| Lumens† | 418 |
| Efficacy (lm/W) | 20.5 |
| LED Channels | Red/Green/Blue |

Electrical

Input Voltage 100 to 240 VAC, auto-ranging, 50/60 Hz via Data Enabler Pro

Power Consumption 17.5 W
(Maximum at full output, steady state)

For Surge Protection Requirements for LED Lighting Systems, please refer to www.colorkinetics.com/KB/surge-protection.

Control

Interface Data Enabler Pro (DMX/Ethernet)

Control System

Color Kinetics full range of controllers, including Light System Manager, Video System Manager Pro, iPlayer 3, Antumbra iColor Keypad, and ColorDial Pro, or third-party controllers

Remote Monitoring & Management ActiveSite Ready, works with Interact Landmark

Lumen Maintenance

| Threshold§ | Ambient Temperature | Reported¶ | Calculated¶ |
|-----------------|---------------------|-----------|-------------|
| L ₅₀ | 25 °C | 100,000 | |
| | 50 °C | 90,000 | |

Physical

Dimensions 205 x 114 x 178 mm (8.06 x 4.5 x 7.0 in)
(Height x Width x Depth)

Weight 2 kg (4.4 lb)

Housing Material Die-cast aluminium, powder-coated finish

Lens Tempered glass

Luminaire Connections 152 mm (6 in) flying leads

Temperature Ranges

-40 to 50 °C (-40 to 122 °F) Operating

-20 to 50 °C (-4 to 122 °F) Startup

-40 to 80 °C (-40 to 176 °F) Storage

Mechanical Impact IK07

Humidity 0 to 95%, non-condensing

Luminaire Run Lengths

To calculate luminaire run lengths and total power consumption for your specific installation, download the Configuration Calculator from www.colorkinetics.com/support/install_tool/

Certification and Safety

Approbation UL/cUL, FCC Class A, CE, PSE, C-Tick, CQC, SAA

Environment Dry/Damp/Wet Location, IP66

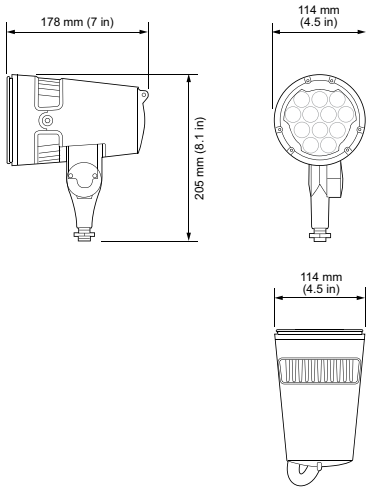


† Lumen output measurements comply with IES LM-79-08 testing procedures.

§ L_{xx} = xx% lumen maintenance (when light output drops below xx% of initial output). All values are given at B10, or the median value where 90% of the LED population is better than the reported or calculated lumen maintenance measurement.

¶ Lumen maintenance figures are based on lifetime prediction graphs supplied by LED source manufacturers. Whenever possible, figures use measurements that comply with IES LM-80-08 testing procedures. In accordance with TM-21-11, Reported values represent the interpolated value based on six times the LM-80-08 total test duration (in hours). Calculated values represent time durations that exceed six times the total test duration.

Dimensions



Photometrics, 23° spread lens

Photometric data is based on test results from an independent NIST traceable testing lab. IES data is available at www.colorkinetics.com/support/ies.

| | |
|-----------------|------|
| Beam Angle | 23° |
| LED | RGB |
| Lumens | 418 |
| Efficacy (lm/W) | 20.5 |

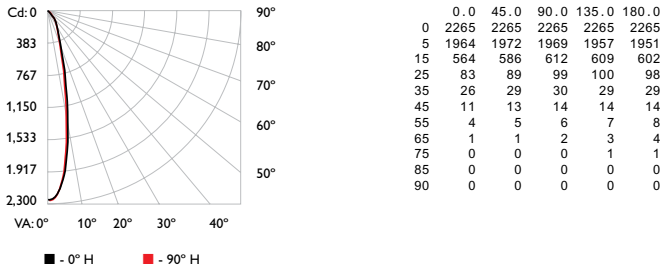


Illuminance at Distance

| | Center Beam fc | Beam Width |
|---------|----------------|---------------|
| 4.0 ft | 142 fc | 1.5 ft 1.5 ft |
| 8.0 ft | 35 fc | 3.0 ft 3.1 ft |
| 12.0 ft | 18 fc | 4.5 ft 4.6 ft |
| 16.0 ft | 9 fc | 6.0 ft 6.2 ft |
| 20.0 ft | 6 fc | 7.5 ft 7.7 ft |
| 24.0 ft | 4 fc | 9.0 ft 9.2 ft |

■ Vert. Spread: 21.3°
■ Horiz. Spread: 21.8°

Polar Candela Distribution



Coefficients of Utilization - Zonal Cavity Method

| RC | Effective Floor Cavity Reflectance: 20% | | | | | | | | | | | | | | | | |
|----|---|-----|-----|-----|------|-----|-----|-----|------|-----|-----|------|-----|-----|------|-----|-----|
| | 80 | | | 70 | | | 50 | | | 30 | | | 10 | | | | |
| RW | 70 | 50 | 30 | 10 | 70 | 50 | 30 | 10 | 50 | 30 | 10 | 50 | 30 | 10 | 50 | 30 | 10 |
| 0 | 1191 | 191 | 191 | 119 | 1161 | 161 | 161 | 116 | 1111 | 111 | 111 | 1061 | 106 | 106 | 1021 | 102 | 102 |
| 1 | 1151 | 121 | 111 | 109 | 1121 | 101 | 091 | 107 | 1061 | 051 | 04 | 1031 | 021 | 01 | 99 | 99 | 96 |
| 2 | 1111 | 107 | 104 | 101 | 1091 | 051 | 031 | 100 | 1021 | 00 | 98 | 99 | 98 | 96 | 97 | 95 | 94 |
| 3 | 1071 | 102 | 99 | 96 | 1051 | 01 | 98 | 95 | 99 | 96 | 94 | 96 | 94 | 92 | 94 | 92 | 91 |
| 4 | 104 | 98 | 94 | 91 | 102 | 97 | 94 | 91 | 95 | 92 | 90 | 93 | 91 | 89 | 92 | 90 | 88 |
| 5 | 101 | 95 | 91 | 87 | 99 | 94 | 90 | 87 | 92 | 89 | 86 | 91 | 88 | 86 | 89 | 87 | 85 |
| 6 | 98 | 91 | 87 | 84 | 96 | 91 | 87 | 84 | 89 | 86 | 83 | 88 | 85 | 83 | 87 | 84 | 82 |
| 7 | 95 | 89 | 84 | 81 | 94 | 88 | 84 | 81 | 87 | 83 | 81 | 86 | 83 | 80 | 85 | 82 | 80 |
| 8 | 92 | 86 | 82 | 79 | 91 | 85 | 81 | 79 | 84 | 81 | 78 | 84 | 80 | 78 | 83 | 80 | 78 |
| 9 | 90 | 83 | 79 | 77 | 89 | 83 | 79 | 77 | 82 | 79 | 76 | 82 | 78 | 76 | 81 | 78 | 76 |
| 10 | 88 | 81 | 77 | 75 | 87 | 81 | 77 | 74 | 80 | 77 | 74 | 80 | 76 | 74 | 79 | 76 | 74 |

For lux multiply fc by 10.7

Luminaire and Accessories

Use Item Number when ordering in North America

| Luminaire | Item Number | Item 12NC |
|---|---------------|--------------|
| ColorBurst Compact Powercore <i>White Housing, UL/cUL/CE, Landscape Luminaire only. Values in this specification sheet represent both the luminaire and spread lens combined. Spread lens available below in Associated Part.</i> | 123-000019-06 | 910503701820 |
| Associated Part | | |
| 23° Spread lens <i>Trim Ring or Glare Shield required for mounting. Must be ordered separately.</i> | 120-000080-05 | 910503701416 |
| Accessories | | |
| Trim Ring, White | 120-000103-15 | 910503701826 |
| 45° Glare Shield, White | 120-000103-16 | 910503701827 |
| Full Height Glare Shield, White | 120-000103-17 | 910503701828 |
| Honeycomb Louver, Black | 120-000104-01 | 910503701419 |
| Power Supplies | | |
| Data Enabler Pro, 3/4 in / 1/2 in NPT (U.S. trade size conduit) | 106-000004-00 | 910503701210 |
| Data Enabler Pro, PG21/PG13 (metric size conduit) | 106-000004-01 | 910503701211 |



© 2019 Signify Holding. All rights reserved. Specifications are subject to change without notice. No representation or warranty as to the accuracy or completeness of the information included herein is given and any liability for any action in reliance thereon is disclaimed.

Color Kinetics
www.colorkinetics.com/ls/rgb/colorburstcompactpc/