

ColorBurst Powercore gen2

Date: _____
Type: _____
Firm Name: _____
Project: _____

RGBA, 80° Spread Lens, White Housing, Architectural

Architectural and landscape LED spotlight with intelligent color light

ColorBurst Powercore gen2 is a high-output, exterior-rated LED lighting luminaire designed for accent and site lighting. Standard format Architectural and Landscape luminaires deliver full-color light output of up to 1,151 lumens to support a range of dynamic uplighting, floodlighting, and decorative lighting applications.



- Expands customization with a wide range of new accessory options. In addition to the native 8° lens, six different spread lenses can customize the luminaire to produce 10°, 20°, 40°, 60°, 80°, and 10° x 40° (asymmetric) beam angles. Four housing color choices (black, gray, white, and bronze)—plus the option to add a louver, full glare shield, and half glare shield—create new aesthetic possibilities for designers and architects.
- Improves color consistency between all LED luminaires in a family with Chromasync technology. During the manufacturing process a calibrated light measurement device creates an algorithm to define a common color gamut for an entire family of LED luminaires. When Chromasync is enabled, color consistency between luminaires is achieved without having to manually adjust color points on each luminaire.
- Complies with ASTM B117 corrosion resistance standard for > 1,500 hours and ANSI C136.31-2010 standard with a 3G vibration rating.
- Features an innovative, redesigned optical system that improves the quality of light from each LED, enhancing the color uniformity and color mixing capabilities of each ColorBurst Powercore gen2 luminaire.
- Improves durability with new flat lens that prevents water from pooling into the luminaire, keeping the LEDs protected and secure over the course of a luminaire's lifetime.
- Integrates patented Powercore technology that controls power output to luminaires directly from line voltage – rapidly, efficiently, and accurately. The Color Kinetics Data Enabler Pro merges line voltage with control data and delivers them to luminaires over a single standard cable, dramatically simplifying installation and lowering total system cost.
- Universal power input range of 100 to 277 VAC.
- Works seamlessly with the complete Color Kinetics line of controllers, including ColorDial Pro, iPlayer 3, and Light System Manager – as well as third-party controllers.

For detailed product information, please refer to the ColorBurst Powercore gen2 Product Guide at www.colorkinetics.com/global/products/rgb/colorburst-powercore-rgba-gen2/

Specifications

Due to continuous improvements and innovations, specifications may change without notice.

Output

Beam Angle	80°
Lumens All Channels Full On†	979
Efficacy (lm/W) All Channels Full On	31
LED Channels	Red/Green/Blue/Amber

Electrical

Input Voltage	100 to 277 VAC, auto-ranging, 50/60 Hz
Power Consumption (Maximum at full output, steady state)	33 W
Power Factor	> 0.9 @ 100 to 240 VAC > 0.85 @ 277 VAC

For Surge Protection Requirements for LED Lighting Systems, please refer to www.colorkinetics.com/KB/surge-protection.

Control

Interface	Data Enabler Pro (DMX/Ethernet)
-----------	---------------------------------

Control System

Color Kinetics full range of controllers, including Light System Manager, Video System Manager Pro, iPlayer 3, Antumbra iColor Keypad, and ColorDial Pro, or third-party controllers

Remote Monitoring & Management	ActiveSite Ready, works with Interact Landmark
--------------------------------	--

Lumen Maintenance

Threshold [§]	Ambient Temperature	Reported [¶]	Calculated [¶]
L ₉₀	25 °C	11,357	11,357
	50 °C	10,488	10,488
L ₈₀	25 °C	35,713	35,713
	50 °C	27,019	27,019
L ₇₀	25 °C	> 54,000	63,326
	50 °C	45,761	45,761
L ₅₀	25 °C	> 54,000	> 100,000
	50 °C	> 54,000	92,986

† Lumen measurement complies with IES LM-79-08 testing procedures.

§ L50 = 50% lumen maintenance (when light output drops below 50% of initial output). All values are given at B10, or the median value where 90% of the LED population is better than the reported or calculated lumen maintenance measurement.

¶ Lumen maintenance figures are based on lifetime prediction graphs supplied by LED source manufacturers. Whenever possible, figures use measurements that comply with IES LM-80-08 testing procedures. In accordance with TM-21-11, Reported values represent the interpolated value based on six times the LM-80-08 total test duration (in hours). Calculated values represent time durations that exceed six times the total test duration.

Physical

Dimensions (Height x Width x Depth)	287 x 210 x 186 mm (11.3 x 8.3 x 7.3 in)
Weight	5.5 kg (12.1 lb)
Effective Projected Area (EPA)	26053 mm ²
Housing Material	Die-cast aluminium, powder-coated finish
Lens	Clear tempered glass
Luminaire Connections	1.8 m (6 ft) combined power data whip

Temperature Ranges

-40 to 50 °C (-40 to 122 °F) Operating
-20 to 50 °C (-4 to 122 °F) Startup
-40 to 80 °C (-40 to 176 °F) Storage

Vibration Resistance

Complies with ANSI C136.31, 3G	
Mechanical Impact	IK08

Corrosion Resistance

Complies with ASTM B117 standard for > 1,500 hours	
Humidity	0 to 95%, non-condensing

Luminaire Run Lengths

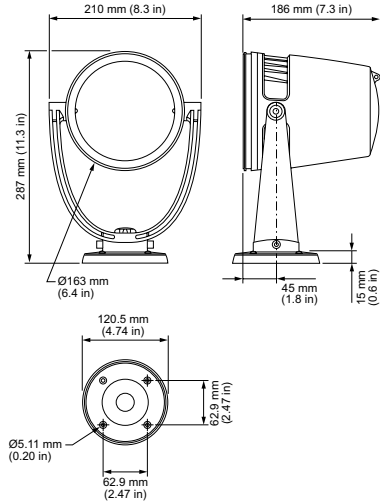
To calculate luminaire run lengths and total power consumption for your specific installation, download the Configuration Calculator from www.colorkinetics.com/support/install_tool/

Certification and Safety

Approbation	UL/cUL, FCC Class A, CE, PSE, RCM
Environment	Dry/Damp/Wet Location, IP66



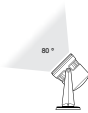
Dimensions



Photometrics, 80° spread lens

Photometric data is based on test results from an independent NIST traceable testing lab. IES data is available at www.colorkinetics.com/support/ies.

Beam Angle	80°
LED	RGBA
Lumens All Channels Full On	979
Efficacy (lm/W) All Channels Full On	31

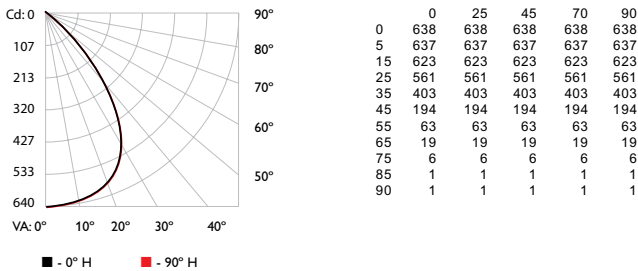


Illuminance at Distance

	Center Beam fc	Beam Width
4 ft	40 fc	6.5 ft
8 ft	10 fc	12.9 ft
12 ft	4 fc	19.4 ft
16 ft	2 fc	25.9 ft
20 ft	2 fc	32.3 ft
24 ft	1 fc	38.8 ft

24.3 ft (7.4 m)
1 fc maximum distance
Vert. Spread: 77.9°
Horiz. Spread: 77.9°

Polar Candela Distribution



Zonal Lumen

Zone	Lumens	% Luminaire
0-30	492.5	50.3%
0-40	741.2	75.7%
0-60	950.6	97.1%
0-90	978.6	100.0%
60-90	28.1	2.9%
70-100	8.5	0.9%
90-120	0.3	0.0%
90-180	0.3	0.0%
0-180	978.9	100.0%

For lux multiply fc by 10.7

Coefficients of Utilization - Zonal Cavity Method

RCC %:	Effective Floor Cavity Reflectance: 20%																							
RW %:	80				70				50				30				10				0			
RCR:	70	50	30	0	70	50	30	0	50	30	20	0	50	30	20	0	50	30	20	0	50	30	20	0
0	1.19	1.19	1.19	1.19	1.16	1.16	1.16	1.00	1.11	1.11	1.11	1.06	1.06	1.06	1.06	1.02	1.02	1.02	1.02	1.00	1.02	1.02	1.02	1.00
1	1.12	1.09	1.06	1.04	1.10	1.07	1.04	0.92	1.03	1.01	0.99	0.99	0.99	0.97	0.96	0.96	0.96	0.94	0.93	0.91	0.96	0.94	0.93	0.91
2	1.05	1.00	0.95	0.91	1.03	0.98	0.93	0.83	0.94	0.91	0.88	0.91	0.88	0.86	0.86	0.89	0.86	0.86	0.84	0.82	0.89	0.86	0.84	0.82
3	0.99	0.91	0.85	0.80	0.97	0.90	0.84	0.75	0.87	0.82	0.78	0.84	0.80	0.77	0.77	0.82	0.79	0.76	0.74	0.74	0.82	0.79	0.76	0.74
4	0.92	0.83	0.77	0.72	0.90	0.82	0.76	0.68	0.80	0.75	0.70	0.78	0.73	0.70	0.70	0.76	0.72	0.69	0.67	0.67	0.76	0.72	0.69	0.67
5	0.87	0.77	0.70	0.65	0.85	0.76	0.69	0.62	0.74	0.68	0.64	0.72	0.67	0.63	0.63	0.70	0.66	0.62	0.61	0.61	0.70	0.66	0.62	0.61
6	0.81	0.71	0.64	0.58	0.80	0.70	0.63	0.57	0.68	0.62	0.58	0.67	0.61	0.57	0.57	0.65	0.61	0.57	0.55	0.55	0.65	0.61	0.57	0.55
7	0.76	0.65	0.58	0.53	0.75	0.65	0.58	0.52	0.63	0.57	0.53	0.62	0.56	0.52	0.52	0.61	0.56	0.52	0.50	0.50	0.61	0.56	0.52	0.50
8	0.72	0.61	0.54	0.49	0.70	0.60	0.53	0.48	0.59	0.53	0.48	0.58	0.52	0.48	0.48	0.57	0.52	0.48	0.46	0.46	0.57	0.52	0.48	0.46
9	0.68	0.56	0.49	0.45	0.66	0.56	0.49	0.44	0.55	0.49	0.45	0.54	0.48	0.44	0.44	0.53	0.48	0.44	0.43	0.43	0.53	0.48	0.44	0.43
10	0.64	0.53	0.46	0.41	0.63	0.52	0.46	0.41	0.51	0.45	0.41	0.50	0.45	0.41	0.41	0.50	0.45	0.41	0.41	0.39	0.50	0.45	0.41	0.39

Luminaire and Accessories

Use Item Number when ordering in North America

Luminaire	Item Number	Item 12NC
ColorBurst Powercore gen2 <i>RGBA, White Housing, Architectural Luminaire only. Values in this specification sheet represent both the luminaire and spread lens combined. Spread lens available below in Associated Part.</i>	423-000005-27	912400135490
Associated Part		
80° Spread Lens <i>Trim Ring or Glare Shield required for mounting. Must be ordered separately.</i>	120-000189-15	912400133445
Accessories		
Trim Ring gen2, White	120-000189-22	912400135451
Half Glare Shield gen2, White	120-000189-26	912400135455
Full Glare Shield gen2, White	120-000189-30	912400135459
Louver	120-000189-17	912400133447
Mounting Arm, Short, White	120-000201-06	912400135846
Mounting Arm, Medium, White	120-000201-07	912400135847
Mounting Arm, Long, White	120-000201-08	912400135848
Wiring Compartment, 4 in diameter, White, CE	106-000011-41	910503703276
Wiring Compartment, 4 in diameter, White, UL	106-000011-31	910503704148
Power/Data Supplies		
Data Enabler Pro, 3/4 in / 1/2 in NPT (U.S. trade size conduit)	106-000004-00	910503701210
Data Enabler Pro, PG21/PG13 (metric size conduit)	106-000004-01	910503701211

