

ColorBlast IntelliHue Powercore gen4

Date: _____
Type: _____
Firm Name: _____
Project: _____

**100 – 277 VAC, 20° Spread Lens,
Black Housing, UL/CE/CQC**

Exterior customizable floodlight luminaire with intelligent white and color light

ColorBlast IntelliHue Powercore high-performance LED luminaires combine white and rich, saturated, color and color-changing effects with simplified installation. ColorBlast IntelliHue Powercore offers a range of accessories that allow for customizable beam angles for floodlighting, spotlighting, wall washing, and grazing, along with the efficiency and cost-effectiveness of Powercore technology in a rugged die-cast aluminium housing.



- Expands customization with a wide range of new accessory options. In addition to the native 10° lens, five different spread lenses can customize the luminaire to produce 20°, 40°, 60°, 80°, and 10° x 40° (asymmetric) beam angles. Three housing color choices (black, gray, and white) – plus the option to add or combine a louver, rock guard, full glare shield, and half glare shield – create new aesthetic possibilities for designers and architects.
- Improves color consistency between all LED luminaires in a family with Chromasync technology. During the manufacturing process a calibrated light measurement device creates an algorithm to define a common color gamut for an entire family of LED luminaires. When Chromasync is enabled, color consistency between luminaires is achieved without having to manually adjust color points on each luminaire.
- Meets ASTM B117 standard for > 1,500 hours of corrosion resistance and ANSI C136.31-2010 standard with a 3G vibration rating.
- Delivers R9 values that can reach up to 81. Saturated red light gives objects and surfaces a vibrant and rich color that is ideal for spaces where ambience is important.
- Features an innovative, redesigned optical system that improves the quality of light from each LED, enhancing the color uniformity and color mixing capabilities of each ColorBlast IntelliHue Powercore gen4 luminaire.
- Improves durability with new flat lens that prevents water from pooling into the luminaire, keeping the LEDs protected and secure over the course of a luminaire's lifetime.
- Integrates patented Powercore technology that controls power output to luminaires directly from line voltage – rapidly, efficiently, and accurately. The Color Kinetics Data Enabler Pro merges line voltage with control data and delivers them to luminaires over a single standard cable, dramatically simplifying installation and lowering total system cost.
- Accepts power input of 100 to 277 VAC.
- Works seamlessly with the complete Color Kinetics line of controllers, including ColorDial Pro, iPlayer 3, and Light System Manager – as well as third-party controllers.

For detailed product information, please refer to the Blast Family Product Guide at www.colorkinetics.com/global/products/intellihue/colorblast-powercore-gen4/

Specifications

Due to continuous improvements and innovations, specifications may change without notice.

Output

Beam Angle	20°
Lumens All Channels Full On†	2,121
Efficacy (lm/W) All Channels Full On	40.2
LED Channels	Red/Green/Blue/Mint White

Electrical

Input Voltage	100 to 277 VAC, auto-ranging, 50/60 Hz
Power Consumption (Maximum at full output, steady state)	50 W
Power Factor	0.99 @ 120 VAC 0.88 @ 277 VAC

For Surge Protection Requirements for LED Lighting Systems, please refer to www.colorkinetics.com/KB/surge-protection.

Control

Interface	Data Enabler Pro (DMX/Ethernet)
-----------	---------------------------------

Control System

Color Kinetics full range of controllers, including Light System Manager, Video System Manager Pro, iPlayer 3, Antumbra iColor Keypad, and ColorDial Pro, or third-party controllers

Remote Monitoring & Management	ActiveSite Ready, works with Interact Landmark
--------------------------------	--

Lumen Maintenance

Threshold [§]	Ambient Temperature	Reported [¶]	Calculated [¶]
L ₉₀	25 °C	13,100	13,100
	50 °C	13,100	13,100
L ₈₀	25 °C	28,600	28,600
	50 °C	28,600	28,600
L ₇₀	25 °C	46,100	46,100
	50 °C	46,100	46,100
L ₅₀	25 °C	> 54,000	90,300
	50 °C	> 54,000	90,300

Physical

Dimensions (Height x Width x Depth)	183.7 x 338 x 171 mm (7.2 x 13.3 x 6.75 in)
Weight	3.9 kg (8.2 lb)
Effective Projected Area (EPA)	0.068 m ² (0.73 ft ²) (Luminaire plus Full Glare Shield)
Housing Material	Die-cast aluminium, powder-coated finish
Lens	Clear tempered glass
Luminaire Connections	1.8 m (6 ft) unified power/data cable

Temperature Ranges

-40 to 50 °C (-40 to 122 °F) Operating
-20 to 50 °C (-4 to 122 °F) Startup
-40 to 80 °C (-40 to 176 °F) Storage

Vibration Resistance^{††}

Complies with ANSI C136.31, 3G	
Mechanical Impact	IK10

Corrosion Resistance

Complies with ASTM B117 standard for > 1,500 hours	
Humidity	0 to 95%, non-condensing

Luminaire Run Lengths

To calculate luminaire run lengths and total power consumption for your specific installation, download the Configuration Calculator from www.colorkinetics.com/support/install_tool/

Certification and Safety

Approbation	UL/cUL, FCC Class A, CE, PSE, CQC, RCM
Environment	Dry/Damp/Wet Location, IP66



* Correlated color temperature (CCT) complies with ANSI C78.377-2008 for the chromaticity of solid state lighting products.

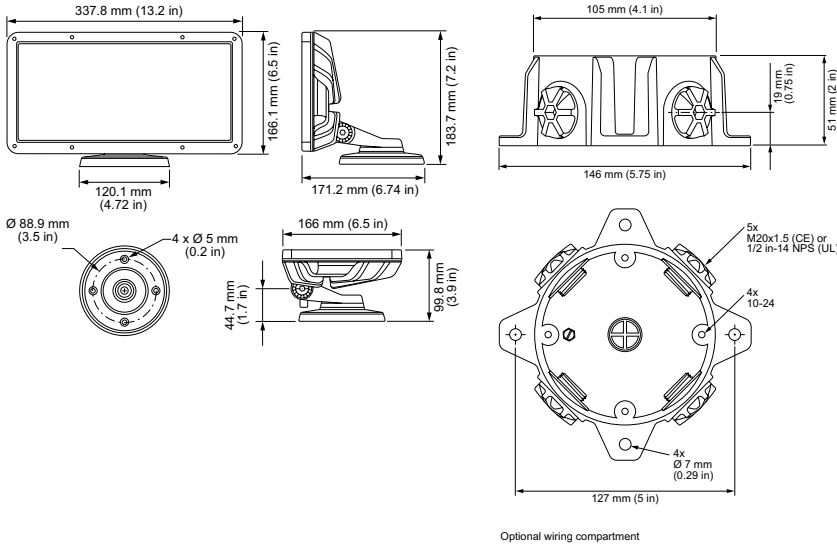
† Lumen measurement complies with IES LM-79-08 testing procedures.

§ L_{xx} = xx% lumen maintenance (when light output drops below xx% of initial output). All values are given at B10, or the median value where 90% of the LED population is better than the reported or calculated lumen maintenance measurement.

¶ Lumen maintenance figures are based on lifetime prediction graphs supplied by LED source manufacturers. Whenever possible, figures use measurements that comply with IES LM-80-08 testing procedures. In accordance with TM-21-11, Reported values represent the interpolated value based on six times the LM-80-08 total test duration (in hours). Calculated values represent time durations that exceed six times the total test duration.

†† When mounting to a junction box, the Color Kinetics wiring compartment accessory must be used to maintain a 3G vibration rating.

Dimensions



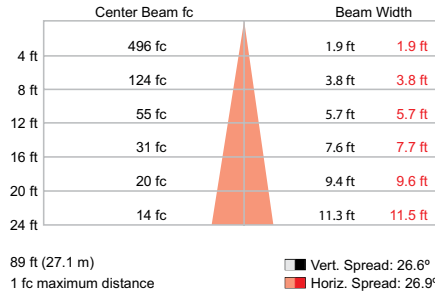
Photometrics, all channels full on

Photometric data is based on test results from an independent NIST traceable testing lab. IES data is available at www.colorkinetics.com/support/ies.

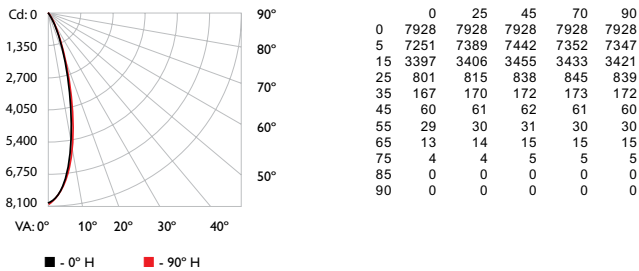
Beam Angle	20°
LEDs	All channels full on
Lumens All Channels Full On	2,121
Efficacy (lm/W) All Channels Full On	40.2



Illuminance at Distance



Polar Candela Distribution



Zonal Lumen

Zone	Lumens	% Luminaire
0-30	1,929.6	90.7%
0-40	2,038.5	95.8%
0-60	2,110.3	99.2%
0-90	2,127.2	100.0%
60-90	17.0	0.8%
70-100	4.0	0.2%
90-120	0.0	0.0%
90-180	0.0	0.0%
0-180	2,127.2	100.0%

For lux multiply fc by 10.7

Coefficients of Utilization - Zonal Cavity Method

RCC %:	Effective Floor Cavity Reflectance: 20%																						
	80				70				50				30				10				0		
RW %:	70	50	30	0	70	50	30	0	50	30	20	50	30	20	50	30	20	50	30	20	0		
RCR:	0	1.19	1.19	1.19	1.16	1.16	1.16	1.00	1.11	1.11	1.11	1.06	1.06	1.06	1.02	1.02	1.02	1.00	1.00	1.00	1.00		
	1	1.15	1.12	1.10	1.08	1.12	1.10	1.08	0.96	1.06	1.05	1.03	1.03	1.01	1.00	0.99	0.98	0.98	0.96	0.96	0.96		
	2	1.10	1.06	1.03	1.01	1.08	1.05	1.02	0.92	1.02	0.99	0.97	0.99	0.97	0.95	0.96	0.95	0.93	0.92	0.93	0.92		
	3	1.06	1.01	0.97	0.94	1.05	1.00	0.96	0.89	0.98	0.95	0.92	0.95	0.93	0.91	0.93	0.91	0.89	0.88	0.89	0.88		
	4	1.03	0.97	0.93	0.89	1.01	0.96	0.92	0.85	0.94	0.90	0.88	0.92	0.89	0.87	0.90	0.88	0.86	0.85	0.86	0.85		
	5	0.99	0.93	0.88	0.85	0.96	0.92	0.88	0.82	0.90	0.87	0.84	0.89	0.86	0.83	0.87	0.85	0.83	0.81	0.83	0.81		
	6	0.96	0.89	0.85	0.81	0.95	0.88	0.84	0.79	0.87	0.83	0.81	0.86	0.83	0.80	0.85	0.82	0.80	0.78	0.80	0.78		
	7	0.93	0.86	0.81	0.78	0.92	0.85	0.81	0.77	0.84	0.80	0.78	0.83	0.80	0.77	0.82	0.79	0.77	0.76	0.77	0.76		
	8	0.90	0.83	0.78	0.75	0.89	0.82	0.78	0.74	0.81	0.78	0.75	0.81	0.77	0.75	0.80	0.77	0.74	0.73	0.74	0.73		
	9	0.87	0.80	0.76	0.73	0.86	0.80	0.75	0.72	0.79	0.75	0.72	0.78	0.75	0.72	0.77	0.74	0.72	0.71	0.72	0.71		
	10	0.85	0.78	0.73	0.70	0.84	0.77	0.73	0.70	0.76	0.73	0.70	0.76	0.72	0.70	0.75	0.72	0.70	0.69	0.70	0.69		

Luminaire and Accessories

Use Item Number when ordering in North America

Luminaire	Item Number	Item 12NC
ColorBlast IntelliHue Powercore gen4 100 – 277 VAC, Black Housing, UL/CE/CQC <i>Luminaire only. Values in this specification sheet represent both the luminaire and spread lens combined. Spread lens available below in Associated Part.</i>	423-000011-01	912400130372
Associated Part		
20° Spread lens <i>Trim Ring required for mounting. Must be ordered separately.</i>	120-000185-08	912400130344
Accessories		
Trim Ring, Black	120-000185-01	912400130337
Louver, Black	120-000185-05	912400130341
Rock Guard, Black	120-000185-07	912400130343
Half Glare Shield, Black	120-000185-14	912400130350
Full Glare Shield, Black	120-000185-03	912400130339
Wiring Compartment UL/cUL, Black	106-000011-30	910503704147
Wiring Compartment CE, Black	106-000011-40	910503703275
Power Supplies		
Data Enabler Pro, 3/4 in / 1/2 in NPT (U.S. trade size conduit)	106-000004-00	910503701210
Data Enabler Pro, PG21/PG13 (metric size conduit)	106-000004-01	910503701211

