

ColorBurst Compact Powercore

Date: _____
Type: _____
Firm Name: _____
Project: _____

**14° Spread Lens, Gray Housing,
CQC, Architectural**

Compact architectural and landscape LED spotlight with intelligent color light

ColorBurst Compact Powercore is a high-output, exterior-rated LED lighting luminaire designed for accent and site lighting. Architectural and landscape luminaires deliver full-color light output of up to 498 lumens to support a range of uplighting, floodlighting, and decorative lighting applications.



- Integrates patented Powercore technology—Powercore technology rapidly, efficiently, and accurately controls power output to luminaires directly from line voltage. The Color Kinetics Data Enabler Pro merges line voltage and control data and delivers them to the luminaire over a single standard cable, dramatically simplifying installation and lowering total system cost.
- Support for a wide range of architectural and landscape applications—Architectural luminaires feature an integrated yoke with canopy base for mounting to standard US junction boxes or directly to a flat surface or substrate as local codes permit. Landscape luminaires feature a 0.5 in NPT threaded post for mounting to standard junction boxes and third-party mounting accessories for use in softscape and hardscape applications.
- Outdoor rated—With a rugged, die-cast aluminium housing fully sealed for maximum luminaire life and IP66-rated for outdoor applications, ColorBurst Compact Powercore is ideal for use in damp or wet locations.
- Exchangeable optics and accessories—Available 14°, 23°, 41°, and asymmetric 10° x 41° spread lenses project a soft-edge beam to support a wide range of lighting applications. Native 8° beam angle offers extended light projection.
- Versatile light positioning—ColorBurst Compact Powercore luminaires can tilt through a full 180°. ColorBurst Powercore Architectural luminaires can also rotate through a full 360° for precise aiming. Locking nuts accept standard hex wrenches to secure luminaires firmly in position.
- Universal power input range—ColorBurst Compact Powercore accepts a universal power input range of 100 to 240 VAC, allowing long luminaire runs and consistent installation in any location around the world.
- Industry-leading controls—ColorBurst Compact Powercore works seamlessly with the complete line of Color Kinetics controllers, including Light System Manager, iPlayer 3, and ColorDial Pro, as well as third-party controllers.

For detailed product information, please refer to the ColorBurst Compact Powercore Product Guide at www.colorkinetics.com/ls/rgb/colorburstcompactpc/

Specifications

Due to continuous improvements and innovations, specifications may change without notice.

Output

Beam Angle	14°
Lumens†	429
Efficacy (lm/W)	21
LED Channels	Red/Green/Blue

Electrical

Input Voltage 100 to 240 VAC, auto-ranging, 50/60 Hz via Data Enabler Pro

Power Consumption 17.5 W
(Maximum at full output, steady state)

For Surge Protection Requirements for LED Lighting Systems, please refer to www.colorkinetics.com/KB/surge-protection.

Control

Interface Data Enabler Pro (DMX/Ethernet)

Control System

Color Kinetics full range of controllers, including Light System Manager, Video System Manager Pro, iPlayer 3, Antumbra iColor Keypad, and ColorDial Pro, or third-party controllers

Remote Monitoring & Management ActiveSite Ready, works with Interact Landmark

Lumen Maintenance

Threshold§	Ambient Temperature	Reported¶	Calculated¶
L ₅₀	25 °C	100,000	
	50 °C	90,000	

Physical

Dimensions 250 x 114 x 178 mm (9.85 x 4.5 x 7.0 in)
(Height x Width x Depth)

Weight 3.9 kg (8.7 lb)

Housing Material Die-cast aluminium, powder-coated finish

Lens Tempered glass

Luminaire Connections 1.8 m (6 ft) unified power/data cable with flying leads

Temperature Ranges

-40 to 50 °C (-40 to 122 °F) Operating

-20 to 50 °C (-4 to 122 °F) Startup

-40 to 80 °C (-40 to 176 °F) Storage

Vibration Resistance

Complies with ANSI C136.31, 3G

Mechanical Impact IK07

Humidity 0 to 95%, non-condensing

Luminaire Run Lengths

To calculate luminaire run lengths and total power consumption for your specific installation, download the Configuration Calculator from www.colorkinetics.com/support/install_tool/

Certification and Safety

Approbation CE, CQC

Environment Dry/Damp/Wet Location, IP66

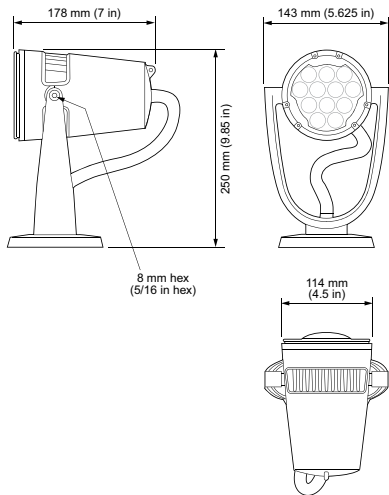


† Lumen output measurements comply with IES LM-79-08 testing procedures.

§ Lxx = xx% lumen maintenance (when light output drops below xx% of initial output). All values are given at B10, or the median value where 90% of the LED population is better than the reported or calculated lumen maintenance measurement.

¶ Lumen maintenance figures are based on lifetime prediction graphs supplied by LED source manufacturers. Whenever possible, figures use measurements that comply with IES LM-80-08 testing procedures. In accordance with TM-21-11, Reported values represent the interpolated value based on six times the LM-80-08 total test duration (in hours). Calculated values represent time durations that exceed six times the total test duration.

Dimensions



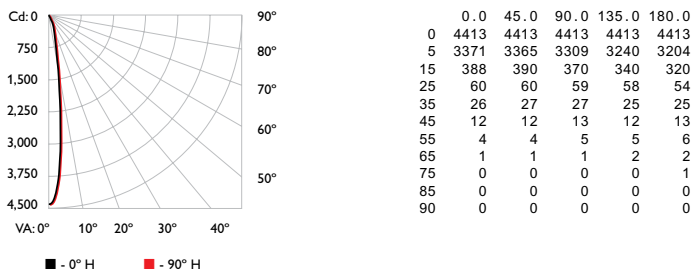
Photometrics, 14° spread lens

Photometric data is based on test results from an independent NIST traceable testing lab. IES data is available at www.colorkinetics.com/support/ies.

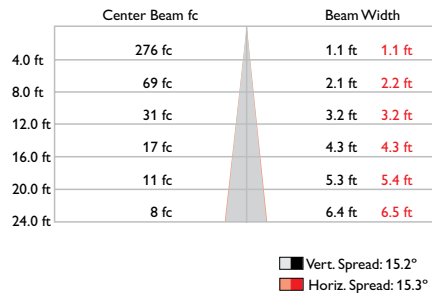
Beam Angle	14°
LED	RGB
Lumens	429
Efficacy (lm/W)	21



Polar Candela Distribution



Illuminance at Distance



Coefficients of Utilization - Zonal Cavity Method

RC	Effective Floor Cavity Reflectance: 20%														
	80		70		50		30		10		0				
RW	70	50	30	10	70	50	30	10	50	30	10	50	30	10	0
0	119119119119	116116116116	1111111111	106106106	102102102	100									
1	115113111110	113111110108	107106105	104103102	100100	99	97								
2	112109106104	110107105102	104102100	101100	98	98	97	96	95						
3	109105101	99	107103100	98	101	99	97	99	97	95	97	95	94	93	
4	106101	98	95	105100	97	95	98	96	94	97	94	92	95	93	92
5	103	98	95	102	98	94	92	96	93	91	95	92	90	93	91
6	101	96	92	100	95	92	89	94	91	89	93	90	88	92	89
7	99	93	90	98	93	90	87	92	89	87	91	88	86	90	88
8	97	91	88	96	91	88	85	90	87	85	89	87	85	89	86
9	95	90	86	94	89	86	84	88	86	83	88	85	83	87	85
10	94	88	85	93	88	84	82	87	84	82	86	84	82	86	83

Zonal Lumen

ZONE	LUMENS	%FIXT
0- 30	397	92.4
0- 40	413	96.3
0- 60	427	99.6
0- 90	429	100.0
90-180	0	0.0
0-180	429	100.0

For lux multiply fc by 10.7

Luminaire and Accessories

Use Item Number when ordering in North America

Luminaire	Item Number	Item 12NC
ColorBurst Compact Powercore <i>Gray Housing, CQC, Architectural Luminaire only. Values in this specification sheet represent both the luminaire and spread lens combined. Spread lens available below in Associated Part.</i>	123-000019-02	910503701761
Associated Part		
14° Spread lens <i>Trim Ring or Glare Shield required for mounting. Must be ordered separately.</i>	120-000080-04	910503701415
Accessories		
Trim Ring, Gray	120-000103-03	910503701420
45° Glare Shield, Gray	120-000103-04	910503701421
Full Height Glare Shield, Gray	120-000103-05	910503701422
Honeycomb Louver, Black	120-000104-01	910503701419
Mounting Arm, Short, Gray	120-000201-03	912400135843
Mounting Arm, Medium, Gray	120-000201-04	912400135844
Mounting Arm, Long, Gray	120-000201-05	912400135845
Wiring Compartment, 4 in diameter, Gray, CE	106-000011-42	910503703277
Wiring Compartment, 4 in diameter, Gray, UL	106-000011-32	910503704149
Power Supplies		
Data Enabler Pro, 3/4 in / 1/2 in NPT (U.S. trade size conduit)	106-000004-00	910503701210
Data Enabler Pro, PG21/PG13 (metric size conduit)	106-000004-01	910503701211

