

ColorBurst Powercore gen2

Date: _____
Type: _____
Firm Name: _____
Project: _____

RGBA, 20° Spread Lens, White Housing, Landscape

Architectural and landscape LED spotlight with intelligent color light

ColorBurst Powercore gen2 is a high-output, exterior-rated LED lighting luminaire designed for accent and site lighting. Standard format Architectural and Landscape luminaires deliver full-color light output of up to 1,151 lumens to support a range of dynamic uplighting, floodlighting, and decorative lighting applications.



- Expands customization with a wide range of new accessory options. In addition to the native 8° lens, six different spread lenses can customize the luminaire to produce 10°, 20°, 40°, 60°, 80°, and 10° x 40° (asymmetric) beam angles. Four housing color choices (black, gray, white, and bronze)—plus the option to add a louver, full glare shield, and half glare shield—create new aesthetic possibilities for designers and architects.
- Improves color consistency between all LED luminaires in a family with Chromasync technology. During the manufacturing process a calibrated light measurement device creates an algorithm to define a common color gamut for an entire family of LED luminaires. When Chromasync is enabled, color consistency between luminaires is achieved without having to manually adjust color points on each luminaire.
- Complies with ASTM B117 corrosion resistance standard for > 1,500 hours.
- Features an innovative, redesigned optical system that improves the quality of light from each LED, enhancing the color uniformity and color mixing capabilities of each ColorBurst Powercore gen2 luminaire.
- Improves durability with new flat lens that prevents water from pooling into the luminaire, keeping the LEDs protected and secure over the course of a luminaire's lifetime.
- Integrates patented Powercore technology that controls power output to luminaires directly from line voltage – rapidly, efficiently, and accurately. The Color Kinetics Data Enabler Pro merges line voltage with control data and delivers them to luminaires over a single standard cable, dramatically simplifying installation and lowering total system cost.
- Universal power input range of 100 to 277 VAC.
- Works seamlessly with the complete Color Kinetics line of controllers, including ColorDial Pro, iPlayer 3, and Light System Manager – as well as third-party controllers.

For detailed product information, please refer to the ColorBurst Powercore gen2 Product Guide at www.colorkinetics.com/lc/rgb/ColorBurst-Powercore-RGBA-gen2/

Specifications

Due to continuous improvements and innovations, specifications may change without notice.

Output

Beam Angle	20°
Lumens All Channels Full On†	990
Efficacy (lm/W) All Channels Full On	31
LED Channels	Red/Green/Blue/Amber

Electrical

Input Voltage	100 to 277 VAC, auto-ranging, 50/60 Hz
Power Consumption (Maximum at full output, steady state)	33 W
Power Factor	> 0.9 @ 100 to 240 VAC > 0.85 @ 277 VAC

For Surge Protection Requirements for LED Lighting Systems, please refer to www.colorkinetics.com/KB/surge-protection.

Control

Interface	Data Enabler Pro (DMX/Ethernet)
-----------	---------------------------------

Control System

Color Kinetics full range of controllers, including Light System Manager, Video System Manager Pro, iPlayer 3, Antumbra iColor Keypad, and ColorDial Pro, or third-party controllers

Remote Monitoring & Management	ActiveSite Ready, works with Interact Landmark
--------------------------------	--

Lumen Maintenance

Threshold§	Ambient Temperature	Reported¶	Calculated¶
L ₉₀	25 °C	11,357	11,357
	50 °C	10,488	10,488
L ₈₀	25 °C	35,713	35,713
	50 °C	27,019	27,019
L ₇₀	25 °C	> 54,000	63,326
	50 °C	45,761	45,761
L ₅₀	25 °C	> 54,000	> 100,000
	50 °C	> 54,000	92,986

† Lumen measurement complies with IES LM-79-08 testing procedures.

§ L50 = 50% lumen maintenance (when light output drops below 50% of initial output). All values are given at B10, or the median value where 90% of the LED population is better than the reported or calculated lumen maintenance measurement.

¶ Lumen maintenance figures are based on lifetime prediction graphs supplied by LED source manufacturers. Whenever possible, figures use measurements that comply with IES LM-80-08 testing procedures. In accordance with TM-21-11, Reported values represent the interpolated value based on six times the LM-80-08 total test duration (in hours). Calculated values represent time durations that exceed six times the total test duration.

Physical

Dimensions (Height x Width x Depth)	272 x 163 x 185 mm (10.7 x 6.42 x 7.28 in)
Weight	3.5 kg (7.7 lb)
Effective Projected Area (EPA)	26053 mm ²
Housing Material	Die-cast aluminium, powder-coated finish
Lens	Clear tempered glass
Luminaire Connections	152 mm (6 in) flying leads

Temperature Ranges

-40 to 50 °C (-40 to 122 °F) Operating
-20 to 50 °C (-4 to 122 °F) Startup
-40 to 80 °C (-40 to 176 °F) Storage

Mechanical Impact	IK08
-------------------	------

Corrosion Resistance

Complies with ASTM B117 standard for > 1,500 hours

Humidity	0 to 95%, non-condensing
----------	--------------------------

Luminaire Run Lengths

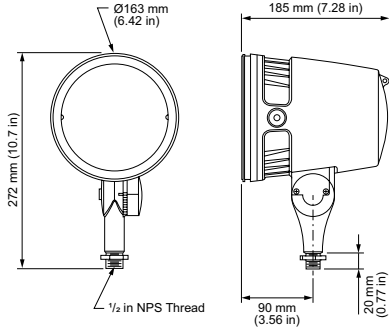
To calculate luminaire run lengths and total power consumption for your specific installation, download the Configuration Calculator from www.colorkinetics.com/support/install_tool/

Certification and Safety

Approbation	UL/cUL, FCC Class A, CE, PSE, CQC, RCM
Environment	Dry/Damp/Wet Location, IP66



Dimensions



Photometrics, 20° spread lens

Photometric data is based on test results from an independent NIST traceable testing lab. IES data is available at www.colorkinetics.com/support/ies.

Beam Angle	20°
LED	RGBA
Lumens All Channels Full On	990
Efficacy (lm/W) All Channels Full On	31

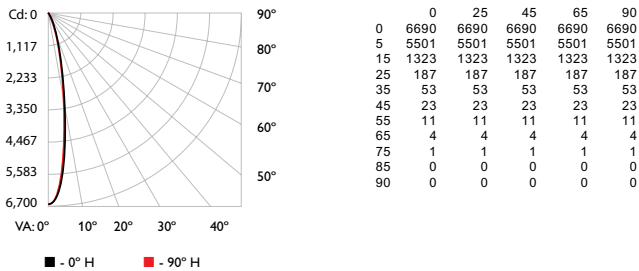


Illuminance at Distance

	Center Beam fc	Beam Width
4 ft	418.13 fc	1.3 ft
8 ft	405.53 fc	2.7 ft
12 ft	46.46 fc	4 ft
16 ft	26.13 fc	5.4 ft
20 ft	16.73 fc	6.7 ft
24 ft	11.61 fc	8.1 ft

81.7 ft (25 m)
1 fc maximum distance
Vert. Spread: 19.1°

Polar Candela Distribution



Zonal Lumen

Zone	Lumens	% Luminaire
0-30	921.0	93%
0-40	955.5	96.50%
0-60	983.3	99.30%
60-90	6.4	0.60%
70-100	2.1	0.20%
90-120	0.1	0%
0-90	989.7	99.90%
90-180	0.5	0.10%
0-180	990.3	100%

For lux multiply fc by 10.7

Coefficients of Utilization - Zonal Cavity Method

RCC %:	Effective Floor Cavity Reflectance: 20%																								
RW %:	80				70				50				30				10				0				
RCR:	70	50	30	0	70	50	30	0	50	30	20	0	50	30	20	0	50	30	20	0	50	30	20	0	
0	1.19	1.19	1.19	1.19	1.16	1.16	1.16	1.00	1.11	1.11	1.11	1.06	1.06	1.06	1.02	1.02	1.02	1.00	1.00	1.00	1.00	1.00	1.00	1.00	1.00
1	1.15	1.13	1.11	1.10	1.13	1.11	1.09	0.97	1.07	1.06	1.04	1.03	1.02	1.01	1.00	0.99	0.98	0.97	0.96	0.95	0.94	0.94	0.93	0.92	0.91
2	1.11	1.08	1.05	1.03	1.09	1.06	1.04	0.94	1.03	1.01	0.99	1.00	0.99	0.97	0.98	0.96	0.95	0.94	0.93	0.92	0.91	0.91	0.90	0.89	0.88
3	1.08	1.04	1.00	0.97	1.06	1.02	0.99	0.92	1.00	0.97	0.95	0.98	0.95	0.94	0.95	0.94	0.92	0.91	0.90	0.89	0.88	0.88	0.87	0.86	0.85
4	1.05	1.00	0.96	0.93	1.03	0.99	0.95	0.89	0.97	0.94	0.92	0.95	0.92	0.91	0.93	0.91	0.90	0.88	0.87	0.86	0.85	0.85	0.84	0.83	0.82
5	1.02	0.98	0.93	0.90	1.01	0.96	0.92	0.87	0.94	0.91	0.89	0.93	0.90	0.88	0.91	0.89	0.87	0.86	0.85	0.84	0.83	0.83	0.82	0.81	0.80
6	0.99	0.94	0.90	0.87	0.98	0.93	0.89	0.85	0.92	0.88	0.86	0.90	0.87	0.85	0.89	0.87	0.85	0.84	0.83	0.82	0.81	0.81	0.80	0.79	0.78
7	0.97	0.91	0.87	0.84	0.96	0.90	0.87	0.83	0.89	0.86	0.84	0.88	0.85	0.83	0.87	0.85	0.83	0.82	0.81	0.80	0.79	0.79	0.78	0.77	0.76
8	0.95	0.88	0.85	0.82	0.94	0.88	0.84	0.81	0.87	0.84	0.81	0.86	0.83	0.81	0.85	0.83	0.81	0.80	0.79	0.78	0.77	0.77	0.76	0.75	0.74
9	0.92	0.86	0.82	0.80	0.92	0.86	0.82	0.79	0.85	0.82	0.79	0.84	0.81	0.79	0.84	0.81	0.79	0.78	0.77	0.76	0.75	0.75	0.74	0.73	0.72
10	0.90	0.84	0.80	0.78	0.90	0.84	0.80	0.77	0.83	0.80	0.78	0.83	0.80	0.78	0.82	0.79	0.77	0.76	0.75	0.74	0.73	0.73	0.72	0.71	0.70

Luminaire and Accessories

Use Item Number when ordering in North America

Luminaire	Item Number	Item 12NC
ColorBurst Powercore gen2 <i>RGBA, White Housing, Landscape Luminaire only. Values in this specification sheet represent both the luminaire and spread lens combined. Spread lens available below in Associated Part.</i>	423-000005-26	912400135489
Associated Part		
20° Spread Lens <i>Trim Ring or Glare Shield required for mounting. Must be ordered separately.</i>	120-000189-12	912400133442
Accessories		
Trim Ring gen2, White	120-000189-22	912400135451
Half Glare Shield gen2, White	120-000189-26	912400135455
Full Glare Shield gen2, White	120-000189-30	912400135459
Louver	120-000189-17	912400133447
Wiring Compartment, 4 in diameter, White, CE	106-000011-41	910503703276
Wiring Compartment, 4 in diameter, White, UL	106-000011-31	910503704148
Power/Data Supplies		
Data Enabler Pro, 3/4 in / 1/2 in NPT (U.S. trade size conduit)	106-000004-00	910503701210
Data Enabler Pro, PG21/PG13 (metric size conduit)	106-000004-01	910503701211



© 2019 Signify Holding. All rights reserved. Specifications are subject to change without notice. No representation or warranty as to the accuracy or completeness of the information included herein is given and any liability for any action in reliance thereon is disclaimed.

Color Kinetics
www.colorkinetics.com/ls/rgb/ColorBurst-Powercore-RGBA-gen2/