

iColor Cove QLX Powercore

Date: _____
Type: _____
Firm Name: _____
Project: _____

70° x 105° Beam Angle, 305 mm (1 ft), UL/cUL/CE/CCC

Performance line-voltage LED cove and accent luminaire with intelligent color light

At up to 132 lumens per foot, iColor Cove QLX Powercore compact linear LED cove luminaires deliver saturated color and dynamic effects in an economical, energy-efficient package. Wide and medium beam angles, an integrated rotating mount for precise positioning, and flexible mounting options support a wide range of backlighting, cove lighting, and accent lighting applications.



- Generous light output, low power consumption—iColor Cove QLX Powercore delivers professional-grade illuminance with total light output of up to 132 lumens per foot, while consuming only 8 W per foot.
- Integrates patented Powercore technology—Powercore rapidly, efficiently, and accurately controls power output to luminaires directly from line voltage, eliminating the need for an external power supply. Contractor-friendly installation dramatically simplifies installation and lowers total system cost.
- Superior color consistency—Optibin, a proprietary binning optimization process, guarantees uniformity and consistency of hue across LEDs, luminaires, and manufacturing runs.
- Advanced color mixing—Patented Chromacore technology, pioneered by Color Kinetics, enables precise control over individual LED channels to produce millions of colors and fullcolor, dynamic effects.
- Easy installation—Powercore delivers line voltage directly to the luminaires, simplifying installation by eliminating the need for external power supplies and allowing long product runs.
- Universal power input range—iColor Cove QLX Powercore luminaires accepts power input of 100 to 277 VAC for consistent installation anywhere in the world.
- Industry-leading controls—iColor Cove QLX Powercore luminaires works seamlessly with the complete Color Kinetics line of controllers, including ColorDial Pro, iPlayer 3, and Light System Manager, as well as third-party controllers.
- Flexible mounting and positioning—With end-to-end locking power connectors that can make 180° turns, iColor Cove QLX Powercore luminaires are easy to position in even the most challenging mounting circumstances. Luminaires rotate in 10° increments through a full 180° for precise aiming and beam mixing. Optional mounting tracks support vertical and overhead positioning. 305 mm (1 ft) and 1.5 m (5 ft) jumper cables can add extra space between luminaires.

For detailed product information, please refer to the iColor Cove QLX Powercore Product Guide at www.colorkinetics.com/ls/rgb/icolorcoveqlxpowercore/

Specifications

Due to continuous improvements and innovations, specifications may change without notice.

Output

Beam Angle	70° x 105°
Lumens [†]	132
Efficacy (lm/W)	12.5
LED Channels	Red/Green/Blue

Electrical

Input Voltage	100 to 277 VAC, auto-ranging, 50/60 Hz
Power Consumption	8 W
(Maximum at full output, steady state)	

For Surge Protection Requirements for LED Lighting Systems, please refer to www.colorkinetics.com/KB/surge-protection.

Control

Interface	Data Enabler Pro (DMX or Ethernet)
-----------	------------------------------------

Control System

Color Kinetics full range of controllers, including Light System Manager, Video System Manager Pro, iPlayer 3, Antumbra iColor Keypad, and ColorDial Pro, or third-party controllers

Remote Monitoring & Management	ActiveSite Ready, works with Interact Landmark
--------------------------------	------------------------------------------------

Lumen Maintenance

Threshold [§]	Ambient Temperature	Reported [¶]	Calculated [¶]
L ₇₀	25 °C	45,000	
	50 °C	30,000	
L ₅₀	25 °C	100,000	
	50 °C	100,000	

[†] Lumen output measurements comply with IES LM-79-08 testing procedures.

[§] L_{xx} = xx% lumen maintenance (when light output drops below xx% of initial output). All values are given at B10, or the median value where 90% of the LED population is better than the reported or calculated lumen maintenance measurement.

[¶] Lumen maintenance figures are based on lifetime prediction graphs supplied by LED source manufacturers. Whenever possible, figures use measurements that comply with IES LM-80-08 testing procedures. In accordance with TM-21-11, Reported values represent the interpolated value based on six times the LM-80-08 total test duration (in hours). Calculated values represent time durations that exceed six times the total test duration.

Physical

Dimensions (Height x Width x Depth)	38 x 305 x 32 mm (1.5 x 12 x 1.25 in)
Weight	212 g (7.5 oz)
Housing Material	Injection-molded plastic, white finish
Lens	Polycarbonate
Luminaire Connections	Integral male/female connectors

Temperature Ranges

-20 to 50 °C (-4 to 122 °F) Operating
-20 to 50 °C (-4 to 122 °F) Startup
-40 to 80 °C (-40 to 176 °F) Storage

Humidity	0 to 95%, non-condensing
----------	--------------------------

Luminaire Run Lengths

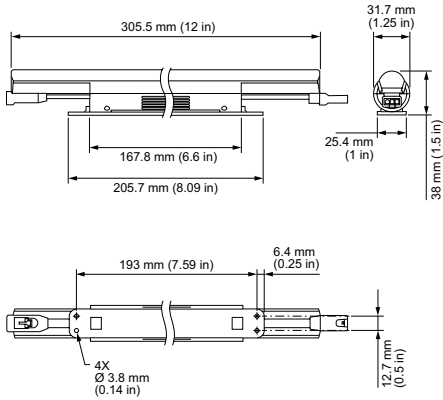
To calculate luminaire run lengths and total power consumption for your specific installation, download the Configuration Calculator from www.colorkinetics.com/support/install_tool/

Certification and Safety

Approbation	UL/cUL, FCC Class B, CE, CSA, CQC, C-Tick
Environment	Dry/Damp Location, IP20



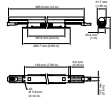
Dimensions



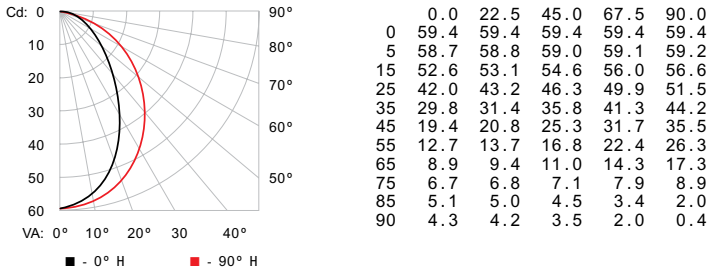
Photometrics, 70° x 105° (medium beam angle)

Photometric data is based on test results from an independent NIST traceable testing lab. IES data is available at www.colorkinetics.com/support/ies.

Beam Angle	70° x 105°
LED	RGB
Lumens	132
Efficacy (lm/W)	12.5



Polar Candela Distribution

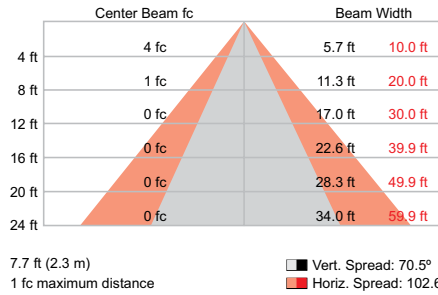


Zonal Lumen

ZONE	LUMENS	%FIXT
0- 30	42	32.0
0- 40	65	49.3
0- 60	102	77.0
0- 90	126	95.5
90-120	5	3.8
90-130	6	4.2
90-150	6	4.5
90-180	6	4.5
0-180	132	100.0

For lux multiply fc by 10.7

Illuminance at Distance



Coefficients of Utilization - Zonal Cavity Method

Effective Floor Cavity Reflectance: 20%

RC	Effective Floor Cavity Reflectance: 20%																	
	80			70			50			30			10			0		
RW	70	50	30	10	70	50	30	10	50	30	10	50	30	10	50	30	10	0
0	118	118	118	118	115	115	115	115	109	109	109	103	103	103	98	98	98	95
1	108	103	99	95	105	100	96	93	95	92	89	90	88	86	86	84	82	80
2	99	91	84	78	96	88	82	77	84	79	75	80	76	72	76	73	70	68
3	90	80	73	66	88	78	71	65	75	69	64	72	66	62	68	64	60	58
4	83	72	64	57	81	70	62	56	67	61	55	64	59	54	62	57	53	51
5	77	65	56	50	75	63	55	49	61	54	48	58	52	48	56	51	47	45
6	72	59	50	44	69	58	50	44	55	48	43	53	47	42	51	46	42	40
7	67	54	45	39	65	53	45	39	51	44	39	49	43	38	47	42	37	35
8	62	49	41	36	60	48	41	35	47	40	35	45	39	34	44	38	34	32
9	58	45	38	32	57	45	37	32	43	36	32	42	36	31	41	35	31	29
10	55	42	35	30	53	42	34	29	40	34	29	39	33	29	38	32	28	27

Luminaire and Accessories

Use Item Number when ordering in North America

Luminaire	Item Number	Item 12NC
iColor Cove QLX Powercore 70° x 105° Beam Angle, 305 mm (1 ft), UL/cUL/CE/CCC	123-000024-01	910503702816

Accessories

Mounting Track, White, 1 @ 1219 mm (4 ft)	120-000125-00	910503701788
Leader Cable with Terminator, 3.1 m (10 ft), UL / cUL	108-000060-02	910503703201
Leader Cable with Terminator, 3.1 m (10 ft), CE/CCC	108-000060-03	910503703202
Jumper Cable, 305 mm (1 ft), UL/cUL	108-000062-00	910503703257
Jumper Cable, 305 mm (1 ft), CE/CCC	108-000062-02	910503703259
Jumper Cable, 1.5 m (5 ft), UL/cUL	108-000062-01	910503703258
Jumper Cable, 1.5 m (5 ft), CE/CCC	108-000062-03	910503703260
Wiring Compartment with Terminator, UL/cUL	120-000077-03	910503702867
Terminators, Quantity 10	120-000099-00	910503701120

Power Supplies

Data Enabler Pro, 3/4 in / 1/2 in NPT (U.S. trade size conduit)	106-000004-00	910503701210
Data Enabler Pro, PG21/PG13 (metric size conduit)	106-000004-01	910503701211



© 2018 Signify Holding. All rights reserved. Specifications are subject to change without notice. No representation or warranty as to the accuracy or completeness of the information included herein is given and any liability for any action in reliance thereon is disclaimed.

Color Kinetics
www.colorkinetics.com/ls/rgb/icolorcoveqlxpowercore/