

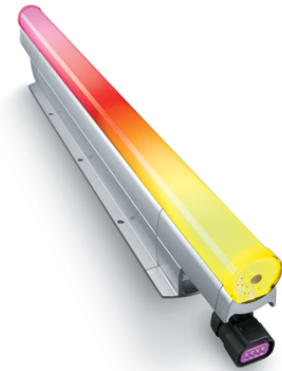
iColor Accent MX Powercore gen2

Date: _____
Type: _____
Firm Name: _____
Project: _____

608 mm (2 ft)

Precision-controlled direct view linear exterior LED luminaire with intelligent color light

iColor Accent MX Powercore gen2 is a direct view linear LED luminaire ideally suited for creating long ribbons of color and color-changing effects. Variable resolution offers the precision to display large-scale video, graphics, and intricately designed effects in a host of architectural, retail, and entertainment settings. iColor Accent MX Powercore gen2 offers the efficiency and cost-effectiveness of Powercore technology in an outdoor-rated, road-ready aluminium housing.



- Integrates patented Powercore technology—Powercore technology rapidly, efficiently, and accurately controls power output to luminaires directly from line voltage. The Color Kinetics Data Enabler Pro merges line voltage and control data and delivers them to the luminaire over a single standard cable, dramatically simplifying installation and lowering total system cost.
- Native, onboard Ethernet—Luminaires accept Ethernet input from the Data Enabler Pro to support long control runs not subject to DMX data and addressing limitations.
- Precise resolution control—608 mm (2 ft) and 1214 mm (4 ft) lengths are easily connected to create long, continuous columns of intense, dynamic color. Luminaires can be addressed and controlled in increments down to 30 mm (1.2 in), or up to 1214 mm (4 ft).
- Exceptional viewing angles—The diffused plastic lens, specifically designed for direct viewing, provides exceptional viewing angles and ensures uniform color mixing.
- Rugged, durable construction—This IP66-rated luminaire is designed to meet the taxing requirements of outdoor and entertainment applications. The extruded aluminium housing resists shock, vibration, and other forms of rough handling.
- Flexible positioning—Over-molded, end-to-end locking connectors supply both power and data. Connectors can make 180° turns for easy layout. Jumper cables of 305 mm (1 ft), 610 mm (2 ft), 1.5 m (5 ft), and 3 m (10 ft) can add extra space between luminaires.
- Industry-leading controls—Works seamlessly with the complete Color Kinetics line of controllers, including Video System Manager Pro, Light System Manager, and iPlayer 3, as well as third-party controllers.
- Universal power input range—Accepts a universal power input range of 100 to 240 VAC for consistent installation anywhere in the world. Each Data Enabler Pro can support multiple luminaires for creating long lines of video or ribbons of intricately changing color.

For detailed product information, please refer to the iColor Accent MX Powercore gen2 Product Guide at www.colorkinetics.com/ls/rgb/iColor-Accent-MX-gen2/

Specifications

Due to continuous improvements and innovations, specifications may change without notice.

Output

Viewing	120° x 225°
Lumens†	295
On-Axis Candela	98
Efficacy (lm/W)§§	19.3
LED Channels	Red/Green/Blue

Electrical

Input Voltage	100 to 240 VAC, auto-ranging, 50/60 Hz via Data Enabler Pro
---------------	---

Power Consumption	10 W
(Per foot maximum at full output, steady state)	

For Surge Protection Requirements for LED Lighting Systems, please refer to www.colorkinetics.com/KB/surge-protection.

Control

Interface	Data Enabler Pro (DMX/Ethernet)
-----------	---------------------------------

Control System

Color Kinetics full range of controllers, including Light System Manager, Video System Manager Pro, iPlayer 3, Antumbra iColor Keypad, and ColorDial Pro, or third-party controllers

Remote Monitoring & Management	ActiveSite Ready, works with Interact Landmark
--------------------------------	--

Lumen Maintenance

Threshold§	Ambient Temperature	Reported¶	Calculated¶
L ₅₀	50 °C	> 50,000	

Physical

Dimensions (Height x Width x Depth)	100 x 608 x 63 mm (3.9 x 23.9 x 2.5 in)
Weight	2 kg (4.5 lb)
Housing Material	Sealed plastic and extruded aluminium
Lens	Translucent UV-protected polycarbonate
Luminaire Connections	Over-molded, integral male/female connectors

Temperature Ranges

-40 to 50 °C (-40 to 122 °F) Operating
-20 to 50 °C (-4 to 122 °F) Startup
-40 to 80 °C (-40 to 176 °F) Storage

Vibration Resistance	Complies with ANSI C136.31, 3G
Mechanical Impact	IK10
Humidity	0 to 95%, non-condensing

Maximum Luminaires Per Data Enabler Pro

25

Certification and Safety

Approbation	UL/cUL, CE
Environment	IP66



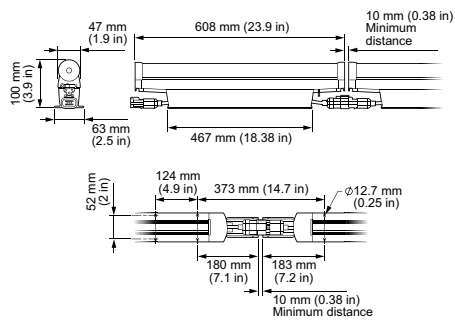
† Lumen output measurements comply with IES LM-79-08 testing procedures.

§ Lxx = xx% lumen maintenance (when light output drops below xx% of initial output). All values are given at B10, or the median value where 90% of the LED population is better than the reported or calculated lumen maintenance measurement.

¶ Lumen maintenance figures are based on lifetime prediction graphs supplied by LED source manufacturers. Whenever possible, figures use measurements that comply with IES LM-80-08 testing procedures. In accordance with TM-21-11, Reported values represent the interpolated value based on six times the LM-80-08 total test duration (in hours). Calculated values represent time durations that exceed six times the total test duration.

§§ Efficacy measurements are estimated based on the 1214 mm (4 ft) measurements.

Dimensions



For help estimating the light output and distribution of lighting luminaires, please contact Color Kinetics Applications Engineering Services at <http://www.lighting.philips.com/support/connect/contact-us>.

Luminaire and Accessories

Use Item Number when ordering in North America

Luminaire

	Item Number	Item 12NC
iColor Accent MX Powercore gen2 608 mm (2 ft)	123-000180-00	912400136248

Accessories

Leader cable with terminator and strain relief, 15.2 m (50 ft)	108-000028-01	910503700086
Jumper Cable, 305 mm (1 ft)	108-000029-03	910503700087
Jumper Cable, 610 mm (2 ft)	108-000029-06	910503700090
Jumper Cable, 1.5 m (5 ft)	108-000029-05	910503700089
Jumper Cable, 3 m (10 ft)	108-000029-04	910503700088

Power Supplies

Data Enabler Pro, 3/4 in / 1/2 in NPT (U.S. trade size conduit)	106-000004-00	910503701210
Data Enabler Pro, PG21/PG13 (metric size conduit)	106-000004-01	910503701211



© 2018 Signify Holding. All rights reserved. Specifications are subject to change without notice. No representation or warranty as to the accuracy or completeness of the information included herein is given and any liability for any action in reliance thereon is disclaimed.

Color Kinetics
www.colorkinetics.com/ls/rgb/iColor-Accent-MX-gen2/