

eW Reach Powercore gen2

Date: _____
Type: _____
Firm Name: _____
Project: _____

2700 K, 23° Spread Lens, UL/CE

Exterior long-throw floodlight with single temperature white light

eW Reach Powercore gen2 high-performance LED luminaires are premium exterior long-throw dynamic high-quality white luminaires for lighting tall buildings, bridges, and iconic structures. eW Reach Powercore gen2 outputs washes of white light in color temperatures ranging from a warm 2700 K to a cool 6500 K. A full range of accessories allow for customizable beam angles for floodlighting, spotlighting, wall washing, and grazing, along with the efficiency and cost-effectiveness of Powercore technology in a rugged die-cast aluminium housing.



- Multiple options for design flexibility—Luminaires are available in a warm 2700 K or a cool 4000 K. Custom configurations with custom channels of white or color LED sources are also available to support special applications.
- Superior color consistency and accuracy—Optibin, an advanced binning algorithm, sets a new standard for the color consistency and uniformity of LED sources used in manufacturing resulting in color consistency within 2 SDCM.
- Digital Dimming—Smooth dimming down to 1% with optional Data Enabler Pro and digital control interface.
- Unparalleled light output—eW Reach Powercore gen2 offers unprecedented output and punch for LED-based illumination of large-scale structures and objects.
- Expanded customization with a wide range of new accessory options. To complement the native 5° lens, six standard secondary spread lenses can customize the luminaire to produce 8°, 13°, 23°, 43°, 63°, and 5° x 17° (asymmetric) beam angles. The option to add or combine a louver, full glare shield, or half glare shield creates new aesthetic possibilities for designers and architects.
- Integrates patented Powercore technology that controls power output to luminaires directly from line voltage – rapidly, efficiently, and accurately. The Color Kinetics Data Enabler Pro merges line voltage with control data and delivers them to luminaires over a single standard cable, dramatically simplifying installation and lowering total system cost.
- Simple luminaire positioning—Rugged, slim-profile mounting bracket allows simple positioning and luminaire rotation through a full 360°. Side locking bolts reliably secure luminaire with a standard wrench.
- Universal power input range of 100 to 277 VAC.

For detailed product information, please refer to the Reach Powercore Family Product Guide at www.colorkinetics.com/global/products/essentialwhite/ewreach/

Specifications

Due to continuous improvements and innovations, specifications may change without notice.

Output

Color Temperature*	2700 K
Beam Angle	23°
Lumens (half unit)†	5,901
Lumens (no spread lens, full unit)*	13,485
Efficacy (lm/W) (half unit)	48.2
Efficacy (lm/W) (no spread lens, full unit)	56.7
CRI	79.8

Electrical

Input Voltage	100 to 277 VAC, auto-ranging, 50/60 Hz
Power Consumption (Maximum at full output, steady state)	250 W
Power Factor	0.99 (no spread lens, full unit, all channels full on) @ 120 VAC

For Surge Protection Requirements for LED Lighting Systems, please refer to www.colorkinetics.com/KB/surge-protection.

Control

Dimmer

On/Off; digital dimming by 4 connector cable & DE Pro	
Remote Monitoring & Management	ActiveSite Ready, works with Interact Landmark

Lumen Maintenance

Threshold§	Ambient Temperature	Reported¶	Calculated¶
L ₉₀	25 °C	42,300	
	50 °C	42,300	
L ₈₀	25 °C		100,000
	50 °C		100,000
L ₇₀	25 °C		100,000
	50 °C		100,000

Physical

Dimensions (Height x Width x Depth)	522 x 733 x 158 mm (20.5 x 28.9 x 6.2 in)
Weight	34 kg (75 lb)
Effective Projected Area (EPA)	0.420 m ²
Housing Material	Die-cast aluminium, powder-coated finish
Lens	Tempered glass
Luminaire Connections	Integral male/female waterproof connectors

Temperature Ranges

-40 to 50 °C (-40 to 122 °F) Operating
-20 to 50 °C (-4 to 122 °F) Startup
-40 to 80 °C (-40 to 176 °F) Storage

Mechanical Impact	IK07
Humidity	0 to 95%, non-condensing

Luminaire Run Lengths

To calculate luminaire run lengths and total power consumption for your specific installation, download the Configuration Calculator from www.colorkinetics.com/support/install_tool/

Certification and Safety

Approbation	UL/cUL, FCC Class A, CE, PSE
Environment	Dry/Damp/Wet Location, IP66



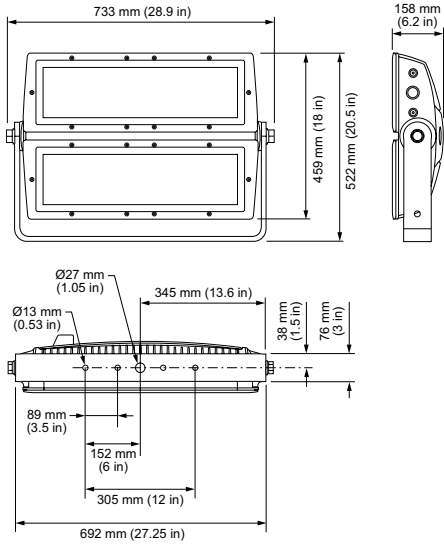
* Correlated color temperature (CCT) complies with ANSI C78.377-2008 for the chromaticity of solid state lighting products.

† Lumen measurement complies with IES LM-79-08 testing procedures.

§ L_{xx} = xx% lumen maintenance (when light output drops below xx% of initial output). All values are given at B10, or the median value where 90% of the LED population is better than the reported or calculated lumen maintenance measurement.

¶ Lumen maintenance figures are based on lifetime prediction graphs supplied by LED source manufacturers. Whenever possible, figures use measurements that comply with IES LM-80-08 testing procedures. In accordance with TM-21-11, Reported values represent the interpolated value based on six times the LM-80-08 total test duration (in hours). Calculated values represent time durations that exceed six times the total test duration.

Dimensions



Photometrics, 23° Spread Lens, half unit

Photometric data is based on test results from an independent NIST traceable testing lab. IES data is available at www.colorkinetics.com/support/ies.

Beam Angle	23°
LED	2700 K
Lumens (half unit)	5,901
Efficacy (lm/W) (half unit)	48.2

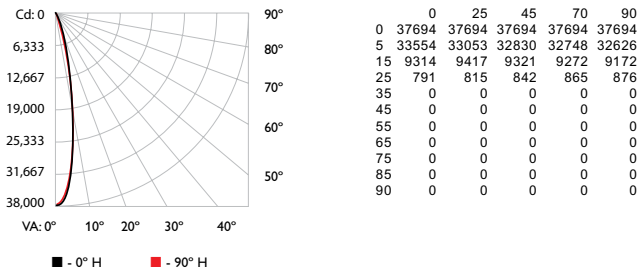


Illuminance at Distance

	Center Beam fc	Beam Width
4 ft	2,356 fc	1.5 ft 1.5 ft
8 ft	589 fc	3.0 ft 3.0 ft
12 ft	262 fc	4.6 ft 4.6 ft
16 ft	147 fc	6.1 ft 6.1 ft
20 ft	94 fc	7.6 ft 7.6 ft
24 ft	65 fc	9.1 ft 9.1 ft

194 ft (53.1 m)
1 fc maximum distance
Vert. Spread: 21.5°
Horiz. Spread: 21.5°

Polar Candela Distribution



Zonal Lumen

Zone	Lumens	% Luminaire
0-30	5,898.3	100.0%
0-40	5,900.9	100.0%
0-60	5,900.9	100.0%
0-90	5,900.9	100.0%
60-90	0.0	0.0%
70-100	0.0	0.0%
90-120	0.0	0.0%
90-180	0.0	0.0%
0-180	5,900.9	100.0%

For lux multiply fc by 10.7

Coefficients of Utilization - Zonal Cavity Method

RCC %:	80		70		50		30		10		0							
RW %:	70	50	30	0	50	30	20	50	30	20	0							
0	1.19	1.19	1.19	1.16	1.16	1.16	1.00	1.11	1.11	1.11	1.06	1.06	1.06	1.02	1.02	1.02	1.00	
1	1.16	1.14	1.12	1.10	1.13	1.11	1.10	0.98	1.08	1.06	1.05	1.04	1.03	1.02	1.01	1.00	0.99	0.98
2	1.12	1.09	1.06	1.04	1.10	1.07	1.05	0.96	1.04	1.03	1.01	1.02	1.00	0.99	0.99	0.98	0.97	0.95
3	1.09	1.05	1.02	1.00	1.08	1.04	1.01	0.94	1.02	0.99	0.97	0.99	0.97	0.96	0.97	0.96	0.94	0.93
4	1.07	1.02	0.99	0.96	1.05	1.01	0.98	0.92	0.99	0.96	0.94	0.97	0.95	0.93	0.96	0.94	0.92	0.91
5	1.04	0.99	0.96	0.93	1.03	0.98	0.95	0.90	0.97	0.94	0.92	0.95	0.93	0.91	0.94	0.92	0.90	0.89
6	1.02	0.96	0.93	0.90	1.01	0.96	0.92	0.88	0.95	0.92	0.89	0.93	0.91	0.89	0.92	0.90	0.88	0.87
7	1.00	0.94	0.90	0.88	0.99	0.94	0.90	0.86	0.92	0.90	0.87	0.91	0.89	0.87	0.91	0.88	0.87	0.86
8	0.97	0.92	0.88	0.86	0.97	0.91	0.88	0.85	0.91	0.88	0.85	0.90	0.87	0.85	0.89	0.87	0.85	0.84
9	0.95	0.90	0.86	0.84	0.95	0.89	0.86	0.83	0.89	0.86	0.84	0.88	0.85	0.83	0.87	0.85	0.83	0.82
10	0.94	0.88	0.85	0.82	0.93	0.88	0.84	0.82	0.87	0.84	0.82	0.86	0.84	0.82	0.86	0.83	0.82	0.81

Photometrics, 5° native (no spread lens), full unit

Photometric data is based on test results from an independent NIST traceable testing lab. IES data is available at www.colorkinetics.com/support/ies.

Beam Angle	5°
LED	2700 K
Lumens (no spread lens, full unit)	13,485
Efficacy (lm/W) (no spread lens, full unit)	56.7

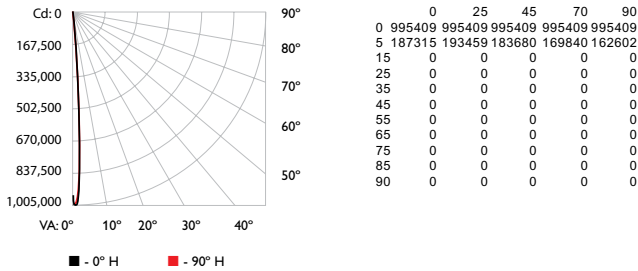


Illuminance at Distance

	Center Beam fc	Beam Width
4 ft	62,213 fc	0.5 ft 0.4 ft
8 ft	15,553 fc	0.9 ft 0.9 ft
12 ft	6,913 fc	1.4 ft 1.3 ft
16 ft	3,888 fc	1.8 ft 1.7 ft
20 ft	2,489 fc	2.3 ft 2.2 ft
24 ft	1,728 fc	2.8 ft 2.6 ft

1,000 ft (304.8 m)
1 fc maximum distance
Vert. Spread: 6.6°
Horiz. Spread: 6.2°

Polar Candela Distribution



Zonal Lumen

Zone	Lumens	% Luminaire
0-30	13,860.0	100.0%
0-40	13,860.0	100.0%
0-60	13,860.0	100.0%
0-90	13,860.0	100.0%
60-90	0.0	0.0%
70-100	0.0	0.0%
90-120	0.0	0.0%
90-180	0.0	0.0%
0-180	13,860.0	100.0%

For lux multiply fc by 10.7

Coefficients Of Utilization - Zonal Cavity Method

RCC %:	Effective Floor Cavity Reflectance: 20%														
	80	70	50	30	10	0	70	50	30	20	50	30	20	0	
RW %:	70	50	30	0	70	50	30	0	50	30	20	50	30	20	0
RCR:	0	1.19	1.19	1.19	1.16	1.16	1.16	1.00	1.11	1.11	1.11	1.06	1.06	1.06	1.02
1	1.17	1.15	1.14	1.13	1.14	1.13	1.12	1.00	1.09	1.08	1.08	1.06	1.05	1.05	1.02
2	1.15	1.12	1.11	1.09	1.13	1.11	1.09	1.00	1.08	1.07	1.05	1.05	1.04	1.03	1.03
3	1.13	1.10	1.08	1.06	1.12	1.09	1.07	1.00	1.07	1.05	1.04	1.05	1.03	1.02	1.03
4	1.12	1.09	1.06	1.05	1.11	1.08	1.06	1.00	1.06	1.04	1.03	1.04	1.03	1.02	1.03
5	1.11	1.07	1.05	1.04	1.10	1.07	1.05	1.00	1.05	1.04	1.02	1.04	1.03	1.02	1.03
6	1.10	1.07	1.04	1.03	1.09	1.06	1.04	1.00	1.05	1.03	1.02	1.04	1.02	1.01	1.03
7	1.09	1.06	1.04	1.02	1.08	1.05	1.03	1.00	1.04	1.03	1.01	1.04	1.02	1.01	1.03
8	1.08	1.05	1.03	1.02	1.08	1.05	1.03	1.00	1.04	1.02	1.01	1.03	1.02	1.01	1.03
9	1.08	1.05	1.03	1.01	1.07	1.04	1.02	1.00	1.04	1.02	1.01	1.03	1.02	1.01	1.03
10	1.07	1.04	1.02	1.01	1.07	1.04	1.02	1.00	1.03	1.02	1.01	1.03	1.02	1.01	1.03

Luminaire and Accessories

Use Item Number when ordering in North America

Luminaire

	Item Number	Item 12NC
eW Reach Powercore gen2 2700 K, UL/CE	523-000093-12	912400133463

Luminaire only. Values in this specification sheet represent both the luminaire and spread lens combined. Spread lens available below in Associated Part.

Associated Part

23° Spread lens with bezel <i>Trim bezel included.</i>	120-000068-13	912400133594
---	---------------	--------------

Accessories

3 Conductor Leader Cable, UL/cUL, 3 m (10 ft)	108-000056-03	910503704071
3 Conductor Leader Cable, CE, 3 m (10 ft)	108-000056-04	910503704072
3 Conductor Leader Cable, UL/cUL, 15.2 m (50 ft)	108-000056-00	910503703138
3 Conductor Leader Cable, CE, 15.2 m (50 ft)	108-000056-01	910503704069
4 Conductor Leader Cable (required to digitally dim unit, w/DE Pro), UL/cUL, 3 m (10 ft)	108-000055-03	910503704066
4 Conductor Leader Cable (required to digitally dim unit, w/DE Pro), CE, 3 m (10 ft)	108-000055-04	910503704067
4 Conductor Leader Cable (required to digitally dim unit, w/DE Pro), UL/cUL, 15.2 m (50 ft)	108-000055-00	910503703137
4 Conductor Leader Cable (required to digitally dim unit, w/DE Pro), CE, 15.2 m (50 ft)	108-000055-01	910503704064
Louver	120-000187-02	912400133589
Half Glare Shield	120-000187-01	912400133588
Full Glare Shield	120-000187-00	912400133587
Trim Bezel	120-000187-03	912400134263
8° Spread lens with bezel	120-000068-17	912400133598
13° Spread lens with bezel	120-000068-12	912400133593
43° Spread lens with bezel	120-000068-14	912400133595
63° Spread lens with bezel	120-000068-15	912400133596
5° x 17° Spread lens with bezel	120-000068-16	912400133597

Luminaire and Accessories (cont.)

Use Item Number when ordering in North America

	Item Number	Item 12NC
Power Supplies		
Data Enabler Pro (required to digitally dim unit), PG21/PG13 (metric size conduit)	106-000004-01	910503701211
Data Enabler Pro, PG21/PG13 (metric size conduit)	106-000004-01	910503701211



© 2019 Signify Holding. All rights reserved. Specifications are subject to change without notice. No representation or warranty as to the accuracy or completeness of the information included herein is given and any liability for any action in reliance thereon is disclaimed.

Color Kinetics
www.colorkinetics.com/global/products/essentialwhite/ewreach/