

# ColorBlast IntelliHue Powercore gen4

Date: \_\_\_\_\_  
Type: \_\_\_\_\_  
Firm Name: \_\_\_\_\_  
Project: \_\_\_\_\_

**100 – 277 VAC, 80° Spread Lens,  
White Housing, UL/CE/CQC**

## Exterior customizable floodlight luminaire with intelligent white and color light

ColorBlast IntelliHue Powercore high-performance LED luminaires combine white and rich, saturated, color and color-changing effects with simplified installation. ColorBlast IntelliHue Powercore offers a range of accessories that allow for customizable beam angles for floodlighting, spotlighting, wall washing, and grazing, along with the efficiency and cost-effectiveness of Powercore technology in a rugged die-cast aluminium housing.



- Expands customization with a wide range of new accessory options. In addition to the native 10° lens, five different spread lenses can customize the luminaire to produce 20°, 40°, 60°, 80°, and 10° x 40° (asymmetric) beam angles. Three housing color choices (black, gray, and white) – plus the option to add or combine a louver, rock guard, full glare shield, and half glare shield – create new aesthetic possibilities for designers and architects.
  - Improves color consistency between all LED luminaires in a family with Chromasync technology. During the manufacturing process a calibrated light measurement device creates an algorithm to define a common color gamut for an entire family of LED luminaires. When Chromasync is enabled, color consistency between luminaires is achieved without having to manually adjust color points on each luminaire.
  - Meets ASTM B117 standard for > 1,500 hours of corrosion resistance and ANSI C136.31-2010 standard with a 3G vibration rating.
  - Delivers R9 values that can reach up to 81. Saturated red light gives objects and surfaces a vibrant and rich color that is ideal for spaces where ambience is important.
  - Features an innovative, redesigned optical system that improves the quality of light from each LED, enhancing the color uniformity and color mixing capabilities of each ColorBlast IntelliHue Powercore gen4 luminaire.
  - Improves durability with new flat lens that prevents water from pooling into the luminaire, keeping the LEDs protected and secure over the course of a luminaire's lifetime.
  - Integrates patented Powercore technology that controls power output to luminaires directly from line voltage – rapidly, efficiently, and accurately. The Color Kinetics Data Enabler Pro merges line voltage with control data and delivers them to luminaires over a single standard cable, dramatically simplifying installation and lowering total system cost.
  - Accepts power input of 100 to 277 VAC.
  - Works seamlessly with the complete Color Kinetics line of controllers, including ColorDial Pro, iPlayer 3, and Light System Manager – as well as third-party controllers.
- For detailed product information, please refer to the Blast Family Product Guide at [www.colorkinetics.com/global/products/intellihue/colorblast-powercore-gen4/](http://www.colorkinetics.com/global/products/intellihue/colorblast-powercore-gen4/)

# Specifications

Due to continuous improvements and innovations, specifications may change without notice.

## Output

Beam Angle	80°
Lumens All Channels Full On†	2,012
Efficacy (lm/W) All Channels Full On	39.3
LED Channels	Red/Green/Blue/Mint White

## Electrical

Input Voltage	100 to 277 VAC, auto-ranging, 50/60 Hz
Power Consumption (Maximum at full output, steady state)	50 W
Power Factor	0.99 @ 120 VAC 0.88 @ 277 VAC

*For Surge Protection Requirements for LED Lighting Systems, please refer to [www.colorkinetics.com/KB/surge-protection](http://www.colorkinetics.com/KB/surge-protection).*

## Control

Interface	Data Enabler Pro (DMX/Ethernet)
-----------	---------------------------------

### Control System

Color Kinetics full range of controllers, including Light System Manager, Video System Manager Pro, iPlayer 3, Antumbra iColor Keypad, and ColorDial Pro, or third-party controllers

Remote Monitoring & Management	ActiveSite Ready, works with Interact Landmark
--------------------------------	--

## Lumen Maintenance

Threshold <sup>§</sup>	Ambient Temperature	Reported <sup>¶</sup>	Calculated <sup>¶</sup>
L <sub>90</sub>	25 °C	13,100	13,100
	50 °C	13,100	13,100
L <sub>80</sub>	25 °C	28,600	28,600
	50 °C	28,600	28,600
L <sub>70</sub>	25 °C	46,100	46,100
	50 °C	46,100	46,100
L <sub>50</sub>	25 °C	> 54,000	90,300
	50 °C	> 54,000	90,300

## Physical

Dimensions (Height x Width x Depth)	183.7 x 338 x 171 mm (7.2 x 13.3 x 6.75 in)
Weight	3.9 kg (8.2 lb)
Effective Projected Area (EPA)	0.068 m <sup>2</sup> (0.73 ft <sup>2</sup> ) (Luminaire plus Full Glare Shield)
Housing Material	Die-cast aluminium, powder-coated finish
Lens	Clear tempered glass
Luminaire Connections	1.8 m (6 ft) unified power/data cable

## Temperature Ranges

-40 to 50 °C (-40 to 122 °F) Operating  
-20 to 50 °C (-4 to 122 °F) Startup  
-40 to 80 °C (-40 to 176 °F) Storage

## Vibration Resistance<sup>††</sup>

Complies with ANSI C136.31, 3G	
Mechanical Impact	IK10

## Corrosion Resistance

Complies with ASTM B117 standard for > 1,500 hours	
Humidity	0 to 95%, non-condensing

## Luminaire Run Lengths

To calculate luminaire run lengths and total power consumption for your specific installation, download the Configuration Calculator from [www.colorkinetics.com/support/install\\_tool/](http://www.colorkinetics.com/support/install_tool/)

## Certification and Safety

Approbation	UL/cUL, FCC Class A, CE, PSE, CQC, RCM
Environment	Dry/Damp/Wet Location, IP66



\* Correlated color temperature (CCT) complies with ANSI C78.377-2008 for the chromaticity of solid state lighting products.

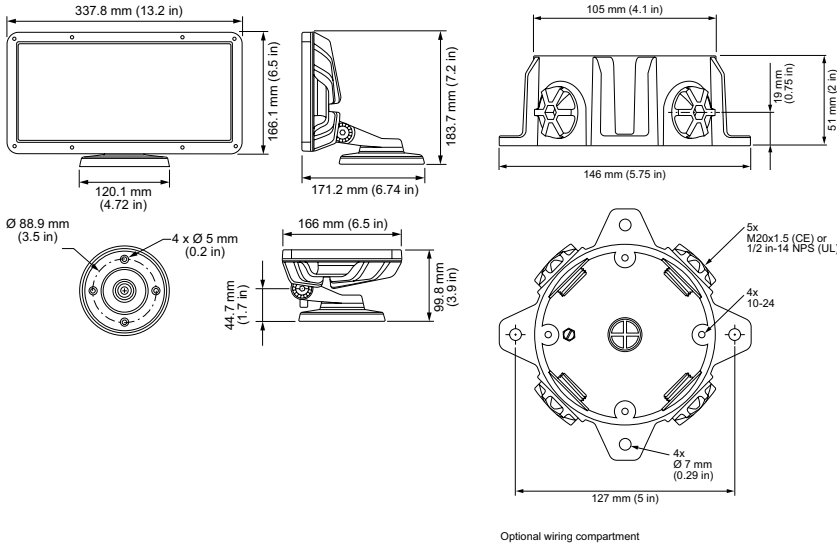
† Lumen measurement complies with IES LM-79-08 testing procedures.

§ L<sub>xx</sub> = xx% lumen maintenance (when light output drops below xx% of initial output). All values are given at B10, or the median value where 90% of the LED population is better than the reported or calculated lumen maintenance measurement.

¶ Lumen maintenance figures are based on lifetime prediction graphs supplied by LED source manufacturers. Whenever possible, figures use measurements that comply with IES LM-80-08 testing procedures. In accordance with TM-21-11, Reported values represent the interpolated value based on six times the LM-80-08 total test duration (in hours). Calculated values represent time durations that exceed six times the total test duration.

†† When mounting to a junction box, the Color Kinetics wiring compartment accessory must be used to maintain a 3G vibration rating.

# Dimensions



# Photometrics, all channels full on

Photometric data is based on test results from an independent NIST traceable testing lab. IES data is available at [www.colorkinetics.com/support/ies](http://www.colorkinetics.com/support/ies).

Beam Angle	80°
LEDs	All channels full on
Lumens All Channels Full On	2,012
Efficacy (lm/W) All Channels Full On	39.3

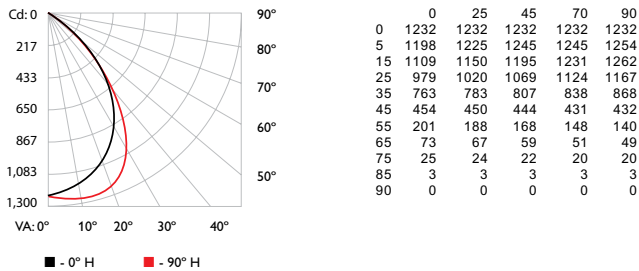


## Illuminance at Distance

	Center Beam fc	Beam Width
4 ft	77 fc	6.4 ft 6.3 ft
8 ft	19 fc	12.8 ft 12.6 ft
12 ft	9 fc	19.2 ft 18.9 ft
16 ft	5 fc	25.6 ft 25.2 ft
20 ft	3 fc	32.0 ft 31.5 ft
24 ft	2 fc	38.4 ft 37.8 ft

35.1 ft (10.7 m)  
1 fc maximum distance  
Vert. Spread: 77.3°  
Horiz. Spread: 76.4°

## Polar Candela Distribution



## Zonal Lumen

Zone	Lumens	% Luminaire
0-30	943.6	46.9%
0-40	1,445.7	71.9%
0-60	1,928.8	95.9%
60-90	83.2	4.1%
70-100	25.5	1.3%
90-120	0.0	0.0%
0-90	2,011.9	100.0%
90-180	0.0	0.0%
0-180	2,011.9	100.0%

For lux multiply fc by 10.7

## Coefficients of Utilization - Zonal Cavity Method

RCC %:	Effective Floor Cavity Reflectance: 20%																						
	80				70				50				30				10				0		
RW %:	70	50	30	0	70	50	30	0	50	30	20	50	30	20	50	30	20	50	30	20	0		
RCR:	0	1.19	1.19	1.19	1.16	1.16	1.16	1.00	1.11	1.11	1.11	1.06	1.06	1.06	1.02	1.02	1.02	1.00	1.00	1.00	1.00		
	1	1.12	1.09	1.06	1.03	1.09	1.06	1.04	0.91	1.02	1.00	0.98	0.99	0.97	0.95	0.95	0.94	0.92	0.90	0.90	0.90		
	2	1.05	0.99	0.94	0.89	1.02	0.97	0.92	0.82	0.94	0.9	0.86	0.90	0.87	0.85	0.88	0.85	0.83	0.81	0.81	0.81		
	3	0.98	0.90	0.84	0.79	0.96	0.88	0.83	0.74	0.86	0.81	0.77	0.83	0.79	0.76	0.81	0.77	0.74	0.72	0.72	0.72		
	4	0.91	0.82	0.75	0.70	0.89	0.81	0.74	0.67	0.78	0.73	0.69	0.76	0.72	0.68	0.74	0.70	0.67	0.65	0.65	0.65		
	5	0.85	0.75	0.68	0.63	0.84	0.74	0.67	0.60	0.72	0.66	0.62	0.70	0.65	0.61	0.69	0.64	0.61	0.59	0.59	0.59		
	6	0.80	0.69	0.62	0.56	0.78	0.68	0.61	0.55	0.66	0.60	0.56	0.65	0.60	0.55	0.64	0.59	0.55	0.53	0.53	0.53		
	7	0.75	0.64	0.56	0.51	0.73	0.63	0.56	0.50	0.61	0.55	0.51	0.60	0.55	0.50	0.59	0.54	0.50	0.48	0.48	0.48		
	8	0.70	0.59	0.52	0.47	0.69	0.58	0.51	0.46	0.57	0.51	0.46	0.56	0.50	0.46	0.55	0.50	0.46	0.44	0.44	0.44		
	9	0.66	0.55	0.48	0.43	0.65	0.54	0.47	0.42	0.53	0.47	0.43	0.52	0.46	0.42	0.51	0.46	0.42	0.41	0.41	0.41		
	10	0.62	0.51	0.44	0.39	0.61	0.50	0.44	0.39	0.50	0.43	0.39	0.49	0.43	0.39	0.48	0.43	0.39	0.37	0.37	0.37		

# Luminaire and Accessories

Use Item Number when ordering in North America

Luminaire	Item Number	Item 12NC
ColorBlast IntelliHue Powercore gen4 100 – 277 VAC, White Housing, UL/CE/CQC <i>Luminaire only. Values in this specification sheet represent both the luminaire and spread lens combined. Spread lens available below in Associated Part.</i>	423-000011-00	912400130371
<b>Associated Part</b>		
80° Spread lens <i>Trim Ring required for mounting. Must be ordered separately.</i>	120-000185-11	912400130347
<b>Accessories</b>		
Trim Ring, White	120-000185-00	912400130336
Louver, White	120-000185-04	912400130340
Rock Guard, White	120-000185-06	912400130342
Half Glare Shield, White	120-000185-13	912400130349
Full Glare Shield, White	120-000185-02	912400130338
Wiring Compartment UL/cUL, White	106-000011-31	910503704148
Wiring Compartment CE, White	106-000011-41	910503703276
<b>Power Supplies</b>		
Data Enabler Pro, 3/4 in / 1/2 in NPT (U.S. trade size conduit)	106-000004-00	910503701210
Data Enabler Pro, PG21/PG13 (metric size conduit)	106-000004-01	910503701211

