

ColorBlast Powercore gen4

Date: _____
Type: _____
Firm Name: _____
Project: _____

**RGB, 100 – 277 VAC, 40° Spread
Lens, Black Housing, UL/CE/CQC**

Exterior customizable floodlight luminaire with intelligent RGB light

ColorBlast Powercore gen4 high-performance LED luminaires combine white and rich, saturated, color and color-changing effects with simplified installation. ColorBlast Powercore gen4 offers a range of accessories that allow customizable beam angles for floodlighting, spotlighting, wall washing, and grazing, along with the efficiency and cost-effectiveness of Powercore technology in a rugged die-cast aluminium housing.



- Expands customization with a wide range of new accessory options. In addition to the native 10° lens, five different spread lenses can customize the luminaire to produce 20°, 40°, 60°, 80°, and 10° x 40° (asymmetric) beam angles. Three housing color choices (black, gray, and white) – plus the option to add or combine a louver, rock guard, full glare shield, and half glare shield – create new aesthetic possibilities for designers and architects.
- Improves color consistency between all LED luminaires in a family with Chromasync technology. During the manufacturing process a calibrated light measurement device creates an algorithm to define a common color gamut for an entire family of LED luminaires. When Chromasync is enabled, color consistency between luminaires is achieved without having to manually adjust color points on each luminaire.
- Meets ASTM B117 standard for > 1,500 hours of corrosion resistance and ANSI C136.31-2010 standard with a 3G vibration rating.
- Features an innovative, redesigned optical system that improves the quality of light from each LED, enhancing the color uniformity and color mixing capabilities of each ColorBlast Powercore gen4 luminaire.
- Improves durability with new flat lens that prevents water from pooling into the luminaire, keeping the LEDs protected and secure over the course of a luminaire's lifetime.
- Integrates patented Powercore technology that controls power output to luminaires directly from line voltage – rapidly, efficiently, and accurately. The Color Kinetics Data Enabler Pro merges line voltage with control data and delivers them to luminaires over a single standard cable, dramatically simplifying installation and lowering total system cost.
- Universal power input range of 100 to 277 VAC.
- Works seamlessly with the complete Color Kinetics line of controllers, including ColorDial Pro, iPlayer 3, and Light System Manager – as well as third-party controllers.

For detailed product information, please refer to the Blast Family Product Guide at www.colorkinetics.com/global/products/rgb/colorblast-powercore-gen4-rgb/

Specifications

Due to continuous improvements and innovations, specifications may change without notice.

Output

Beam Angle	40°
Lumens†	1,466
Efficacy (lm/W)	33.5
LED Channels	Red/Green/Blue

Electrical

Input Voltage	100 to 277 VAC, auto-ranging, 50/60 Hz
Power Consumption (Maximum at full output, steady state)	50 W
Power Factor	0.99 @ 120 VAC
Power Factor	0.93 @ 277 VAC

For Surge Protection Requirements for LED Lighting Systems, please refer to www.colorkinetics.com/KB/surge-protection.

Control

Interface	Data Enabler Pro (DMX/Ethernet)
-----------	---------------------------------

Control System

Color Kinetics full range of controllers, including Light System Manager, Video System Manager Pro, iPlayer 3, Antumbra iColor Keypad, and ColorDial Pro, or third-party controllers

Remote Monitoring & Management	ActiveSite Ready, works with Interact Landmark
--------------------------------	--

Lumen Maintenance

Threshold§	Ambient Temperature	Reported¶	Calculated¶
L ₉₀	25 °C	51,400	51,400
	50 °C	51,400	51,400
L ₈₀	25 °C	> 72,000	> 100,000
	50 °C	> 72,000	> 100,000
L ₇₀	25 °C	> 72,000	> 100,000
	50 °C	> 72,000	> 100,000
L ₅₀	25 °C	> 72,000	> 100,000
	50 °C	> 72,000	> 100,000

† Lumen measurement complies with IES LM-79-08 testing procedures.

§ L_{xx} = xx% lumen maintenance (when light output drops below xx% of initial output). All values are given at B10, or the median value where 90% of the LED population is better than the reported or calculated lumen maintenance measurement.

¶ Lumen maintenance figures are based on lifetime prediction graphs supplied by LED source manufacturers. Whenever possible, figures use measurements that comply with IES LM-80-08 testing procedures. In accordance with TM-21-11, Reported values represent the interpolated value based on six times the LM-80-08 total test duration (in hours). Calculated values represent time durations that exceed six times the total test duration.

†† When mounting to a junction box, the Color Kinetics wiring compartment accessory must be used to maintain a 3G vibration rating.

Physical

Dimensions (Height x Width x Depth)	183.7 x 338 x 171 mm (7.2 x 13.3 x 6.75 in)
Weight	3.9 kg (8.2 lb)
Effective Projected Area (EPA)	0.068 m ² (0.73 ft ²) (Luminaire plus Full Glare Shield)
Housing Material	Die-cast aluminium, powder-coated finish
Lens	Clear tempered glass
Luminaire Connections	1.8 m (6 ft) unified power/data cable

Temperature Ranges

-40 to 50 °C (-40 to 122 °F) Operating
-20 to 50 °C (-4 to 122 °F) Startup
-40 to 80 °C (-40 to 176 °F) Storage

Vibration Resistance††

Complies with ANSI C136.31, 3G	
Mechanical Impact	IK10

Corrosion Resistance

Complies with ASTM B117 standard for > 1,500 hours	
Humidity	0 to 95%, non-condensing

Luminaire Run Lengths

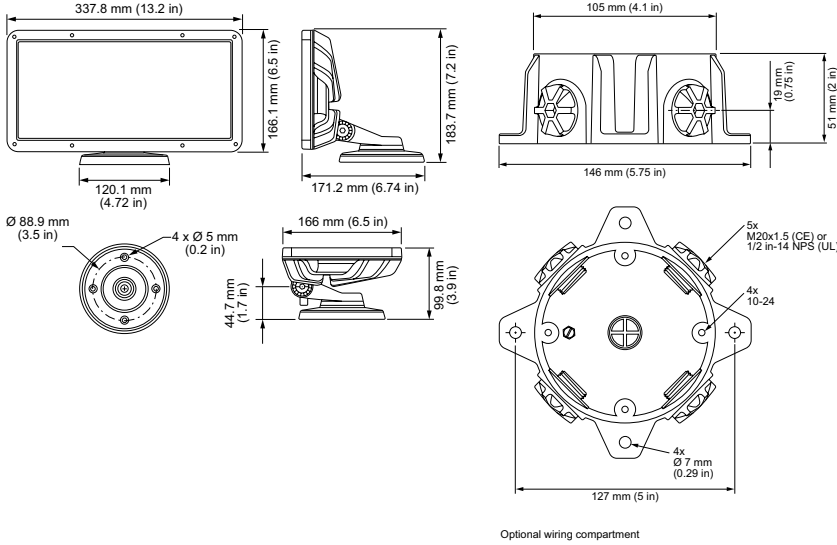
To calculate luminaire run lengths and total power consumption for your specific installation, download the Configuration Calculator from www.colorkinetics.com/support/install_tool/

Certification and Safety

Approbation	UL/cUL, FCC Class A, CE, PSE, CQC, RCM
Environment	Dry/Damp/Wet Location, IP66



Dimensions



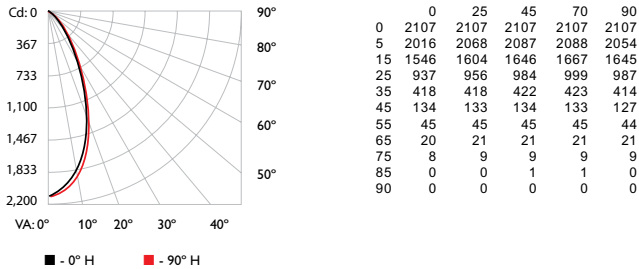
Photometrics, 40° spread lens

Photometric data is based on test results from an independent NIST traceable testing lab. IES data is available at www.colorkinetics.com/support/ies.

Beam Angle	40°
LED	RGB
Lumens	1,466
Efficacy (lm/W)	33.5



Polar Candela Distribution



Zonal Lumen

Zone	Lumens	% Luminaire
0-30	1,056.9	72.1%
0-40	1,305.1	89.0%
0-60	1,439.3	98.2%
0-90	1,466.0	100.0%
60-90	26.7	1.8%
70-100	8.4	0.6%
90-120	0.0	0.0%
90-180	0.0	0.0%
0-180	1,466.0	100.0%

For lux multiply fc by 10.7

Illuminance at Distance

	Center Beam fc	Beam Width
4 ft	132 fc	3.4 ft 3.4 ft
8 ft	33 fc	6.7 ft 6.8 ft
12 ft	15 fc	10.1 ft 10.2 ft
16 ft	8 fc	13.5 ft 13.6 ft
20 ft	5 fc	16.9 ft 17.0 ft
24 ft	4 fc	20.2 ft 20.4 ft

46 ft (14.0 m)
1 fc maximum distance
Vert. Spread: 45.7°
Horiz. Spread: 46.0°

Coefficients of Utilization - Zonal Cavity Method

RCC %:	Effective Floor Cavity Reflectance: 20%																						
	80				70				50				30				10				0		
RW %:	70	50	30	0	70	50	30	0	50	30	20	50	30	20	50	30	20	50	30	20	0		
0	1.19	1.19	1.19	1.19	1.16	1.16	1.16	1.00	1.11	1.11	1.11	1.06	1.06	1.06	1.02	1.02	1.02	1.00	1.00	1.00	1.00		
1	1.13	1.11	1.08	1.06	1.11	1.08	1.06	0.94	1.04	1.03	1.01	1.01	0.99	0.98	0.97	0.96	0.95	0.93	0.93	0.93	0.93		
2	1.08	1.03	0.99	0.95	1.06	1.01	0.97	0.87	0.98	0.95	0.92	0.95	0.92	0.90	0.92	0.90	0.88	0.87	0.87	0.87	0.87		
3	1.02	0.96	0.91	0.87	1.00	0.94	0.90	0.82	0.92	0.88	0.85	0.89	0.86	0.83	0.87	0.84	0.82	0.81	0.81	0.81	0.81		
4	0.97	0.90	0.84	0.80	0.95	0.88	0.83	0.76	0.86	0.82	0.78	0.84	0.81	0.78	0.82	0.79	0.77	0.75	0.75	0.75	0.75		
5	0.92	0.84	0.78	0.74	0.91	0.83	0.78	0.71	0.81	0.77	0.73	0.80	0.76	0.72	0.78	0.75	0.72	0.70	0.70	0.70	0.70		
6	0.88	0.79	0.73	0.69	0.86	0.78	0.73	0.67	0.77	0.72	0.68	0.75	0.71	0.68	0.74	0.70	0.67	0.66	0.66	0.66	0.66		
7	0.84	0.75	0.69	0.64	0.82	0.74	0.68	0.63	0.73	0.68	0.64	0.71	0.67	0.64	0.70	0.66	0.63	0.62	0.62	0.62	0.62		
8	0.80	0.70	0.65	0.60	0.79	0.70	0.64	0.59	0.69	0.64	0.60	0.68	0.63	0.60	0.67	0.63	0.60	0.58	0.58	0.58	0.58		
9	0.76	0.67	0.61	0.57	0.75	0.66	0.61	0.56	0.65	0.60	0.57	0.64	0.60	0.56	0.64	0.59	0.56	0.55	0.55	0.55	0.55		
10	0.73	0.63	0.58	0.54	0.72	0.63	0.57	0.53	0.62	0.57	0.54	0.61	0.57	0.53	0.61	0.56	0.53	0.52	0.52	0.52	0.52		

Luminaire and Accessories

Use Item Number when ordering in North America

Luminaire	Item Number	Item 12NC
ColorBlast Powercore gen4 RGB, 100 – 277 VAC, Black Housing, UL/CE/CQC <i>Luminaire only. Values in this specification sheet represent both the luminaire and spread lens combined. Spread lens available below in Associated Part.</i>	123-000155-01	912400130352
Associated Part		
40° Spread lens <i>Trim Ring required for mounting. Must be ordered separately.</i>	120-000185-09	912400130345
Accessories		
Trim Ring, Black	120-000185-01	912400130337
Louver, Black	120-000185-05	912400130341
Rock Guard, Black	120-000185-07	912400130343
Half Glare Shield, Black	120-000185-14	912400130350
Full Glare Shield, Black	120-000185-03	912400130339
Wiring Compartment UL/cUL, Black	106-000011-30	910503704147
Wiring Compartment CE, Black	106-000011-40	910503703275
Power Supplies		
Data Enabler Pro, 3/4 in / 1/2 in NPT (U.S. trade size conduit)	106-000004-00	910503701210
Data Enabler Pro, PG21/PG13 (metric size conduit)	106-000004-01	910503701211

