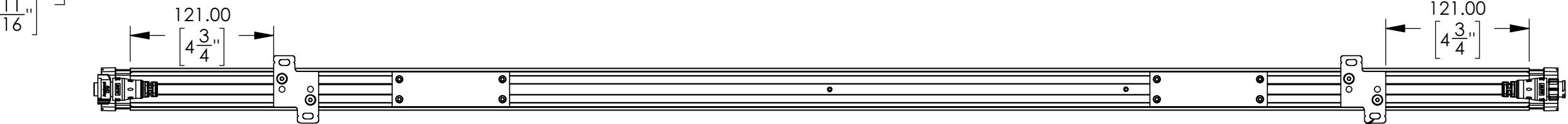
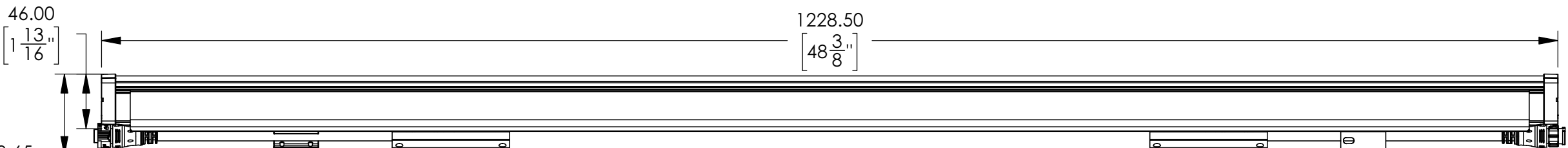
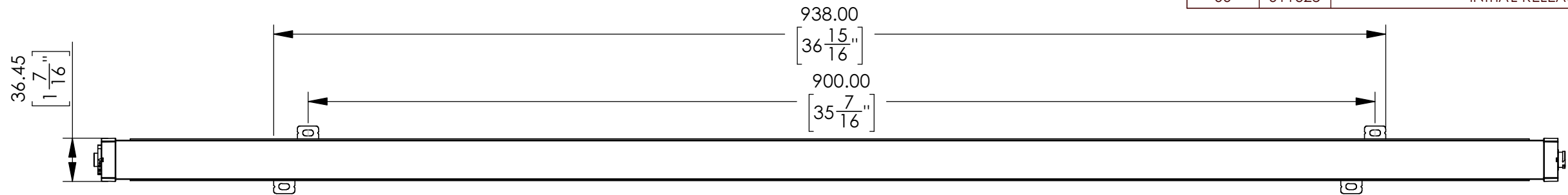
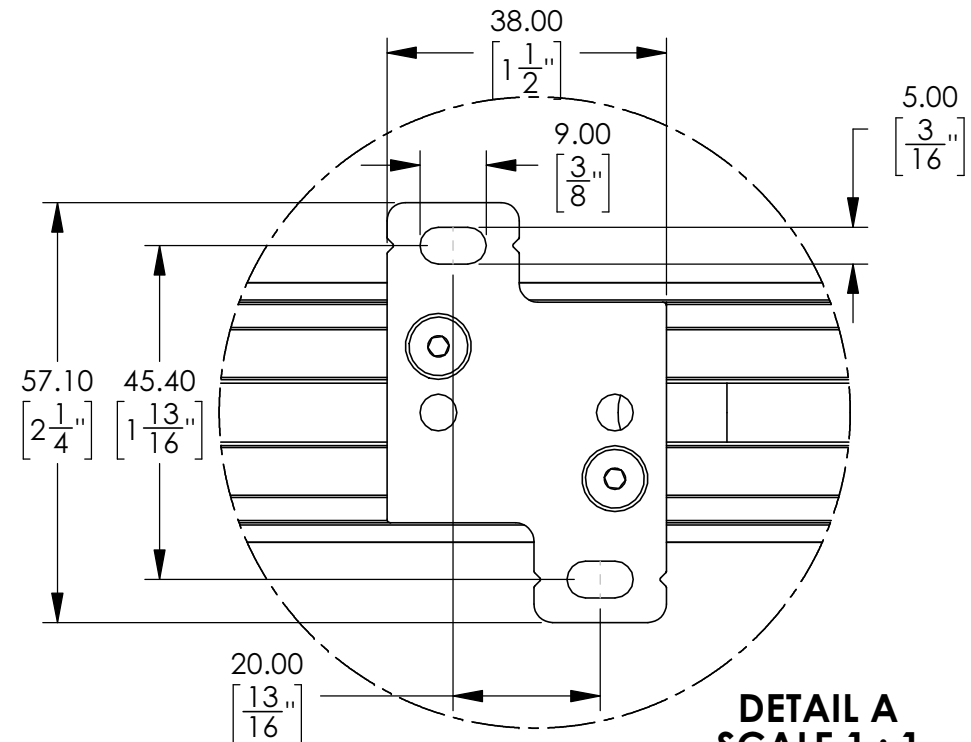
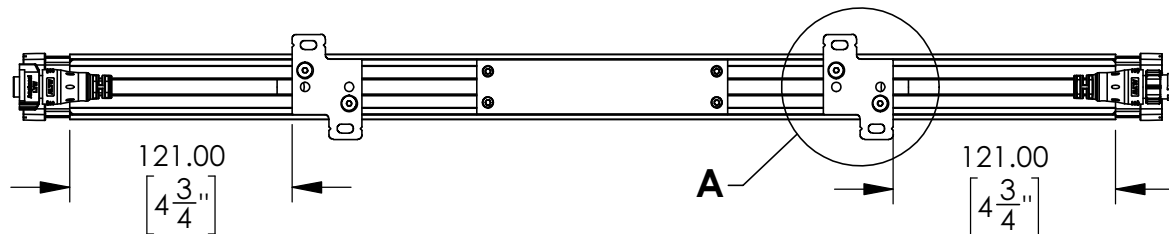
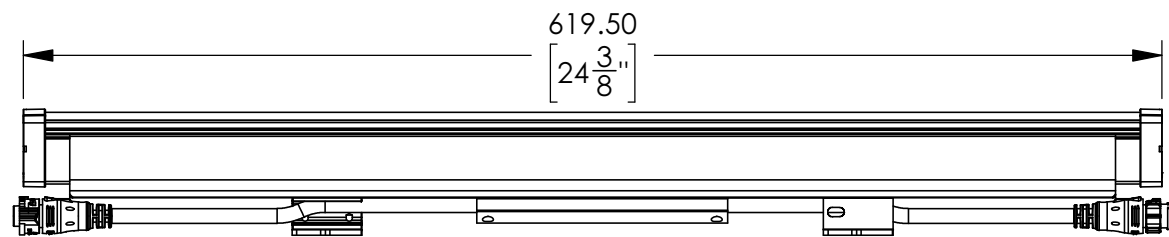
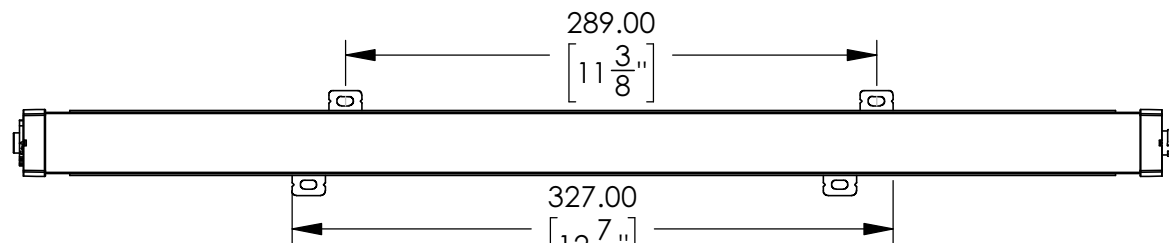


FRONT MOUNTING

REVISIONS				
REV.	ECO	DESCRIPTION	DATE	APPROVED
00	011625	INITIAL RELEASE	2018-03-14	TONY WU



It's recommended to use <=M5 screw.
Diameter of screw head <=10mm.



DETAIL A
SCALE 1 : 1

PROPRIETARY AND CONFIDENTIAL
THE INFORMATION CONTAINED IN THIS DRAWING IS THE SOLE PROPERTY OF PHILIPS COLOR KINETICS, INC. ANY REPRODUCTION IN PART OR AS A WHOLE WITHOUT THE WRITTEN PERMISSION OF PHILIPS COLOR KINETICS, INC. IS PROHIBITED.

PHILIPS COLOR KINETICS
PHILIPS COLOR KINETICS, INC. www.philips.com
3 Burlington Woods Dr. Burlington MA 01803
TEL: 888-385-5742 FAX: 617-338-0454

SEE NOTES
SEE NOTES
DRAWN: TONY WU DATE: 2018-03-14
CHECKED: DATE:

-UNLESS OTHERWISE SPECIFIED-
DIMENSIONS ARE IN MILLIMETERS
INTERPRET GEOMETRIC TOLERANCING PER: ANSI Y14.5M
TOLERANCES:
DECIMAL
.X ±0.5 mm
.XX ±0.25 mm
.XXX ±0.125 mm
ANGLE ±1°
THIRD ANGLE PROJECTION

DESCRIPTION
PRODUCT DOCUMENT DRAWING, ACCENT COMPACT 4CH, FLAT LENS, 4FT AND 2FT

SIZE	DWG. NO.	REV
B	PDD-000144-00	00
DO NOT SCALE DRAWING		SHEET 1 OF 8
SCALE 1:4		

8

7

6

5

4

3

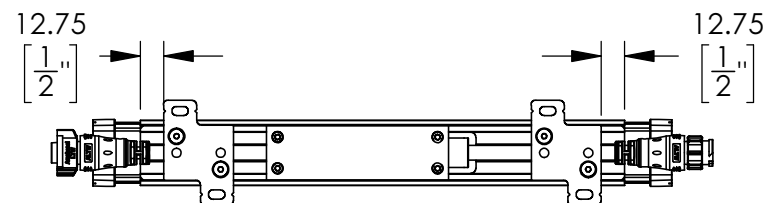
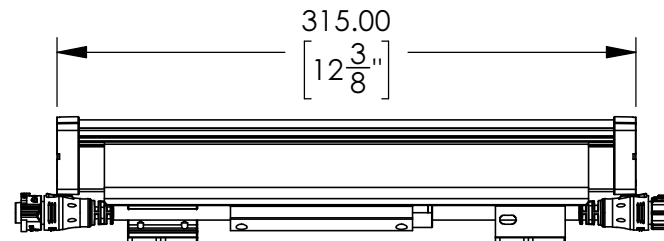
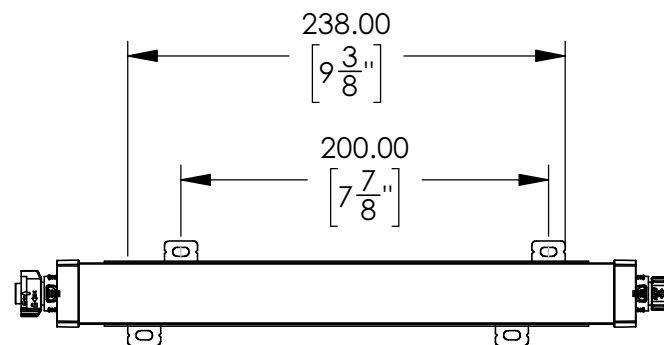
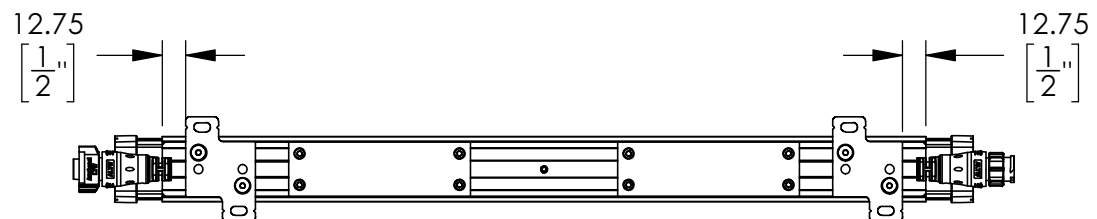
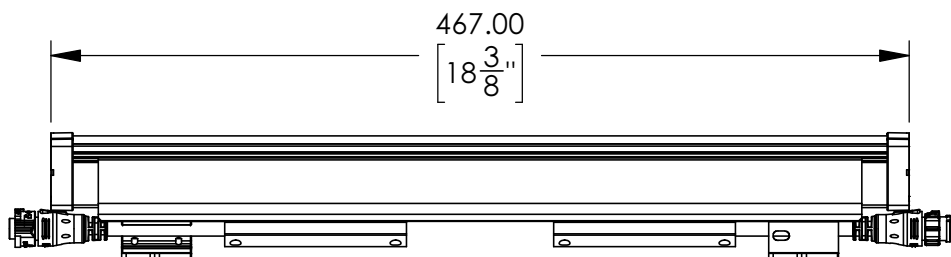
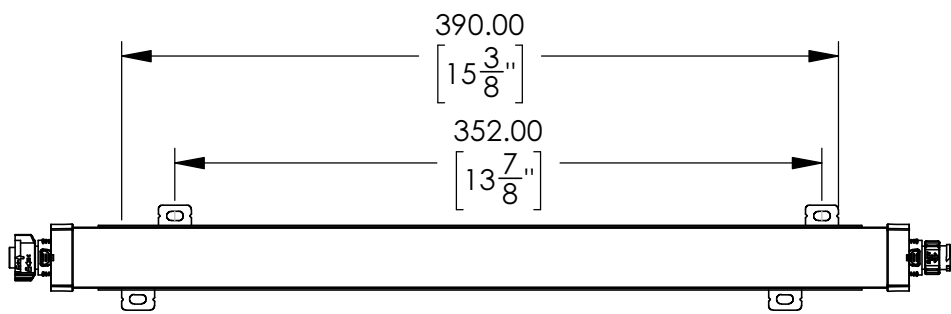
2

1

PROPRIETARY AND CONFIDENTIAL

THE INFORMATION CONTAINED IN THIS DRAWING IS THE SOLE PROPERTY OF PHILIPS COLOR KINETICS, INC. ANY REPRODUCTION IN PART OR AS A WHOLE WITHOUT THE WRITTEN PERMISSION OF PHILIPS COLOR KINETICS, INC. IS PROHIBITED.

FRONT MOUNTING



DESCRIPTION
**PRODUCT DOCUMENT DRAWING,
 ACCENT COMPACT 4CH, FLAT
 LENS, 1.5FT AND 1FT**

SIZE DWG. NO.
B PDD-000144-00

REV
00

DO NOT SCALE DRAWING
 SCALE **1:4** SHEET **2 OF 8**

8

7

6

5

4

3

2

1

8

7

6

5

4

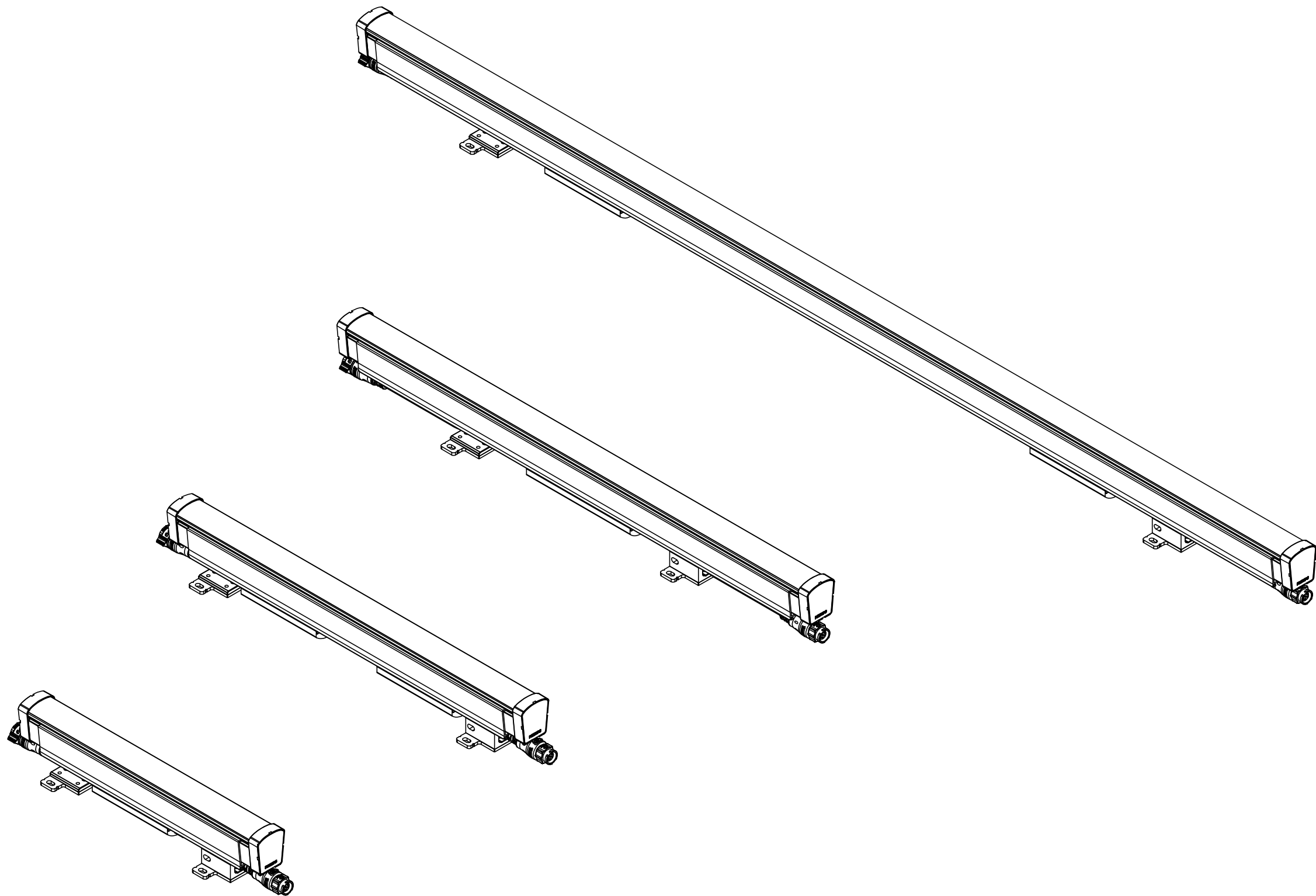
3

2

1

PROPRIETARY AND CONFIDENTIAL

THE INFORMATION CONTAINED IN THIS DRAWING IS THE SOLE PROPERTY OF PHILIPS COLOR KINETICS, INC.
ANY REPRODUCTION IN PART OR AS A WHOLE WITHOUT THE WRITTEN PERMISSION OF PHILIPS COLOR KINETICS, INC. IS PROHIBITED.



DESCRIPTION
**PRODUCT DOCUMENT DRAWING,
 ACCENT COMPACT 4CH, FLAT
 LENS, ISO VIEW**

SIZE	DWG. NO.	REV
B	PDD-000144-00	00

FILE NAME	DO NOT SCALE DRAWING	SHEET 3 OF 8
	SCALE 1:4	

8

7

6

5

4

3

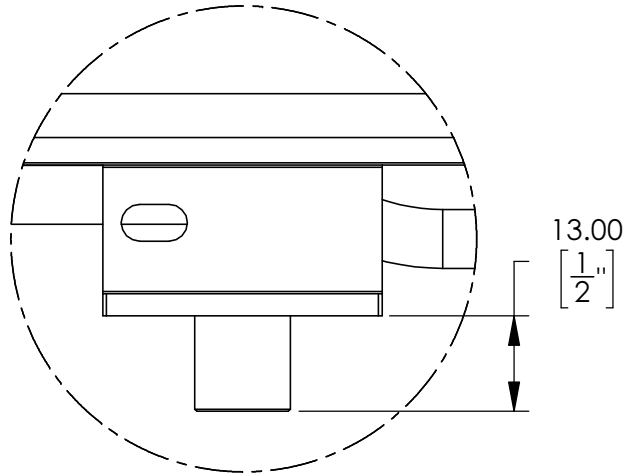
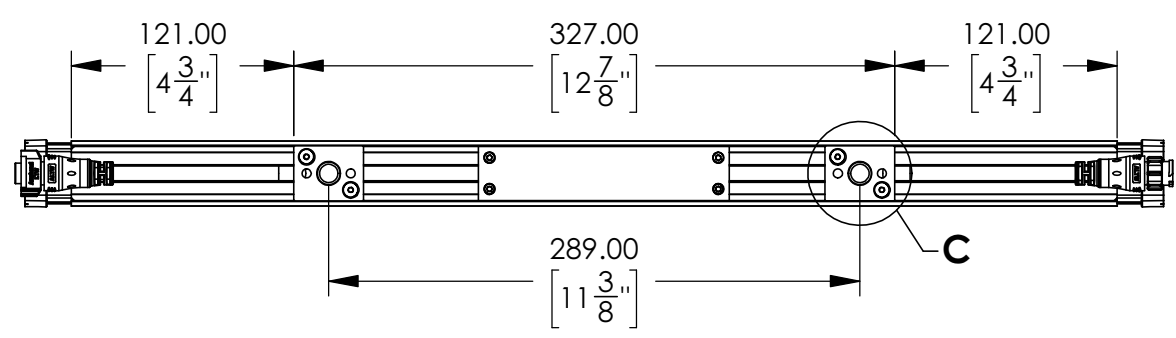
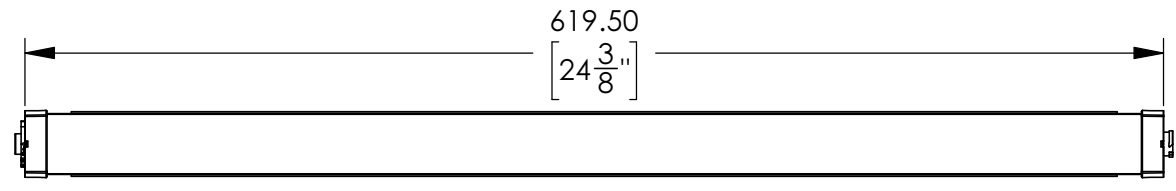
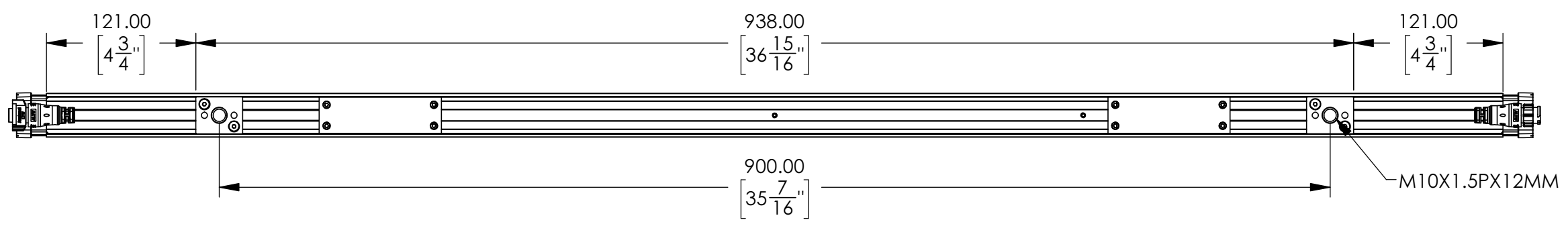
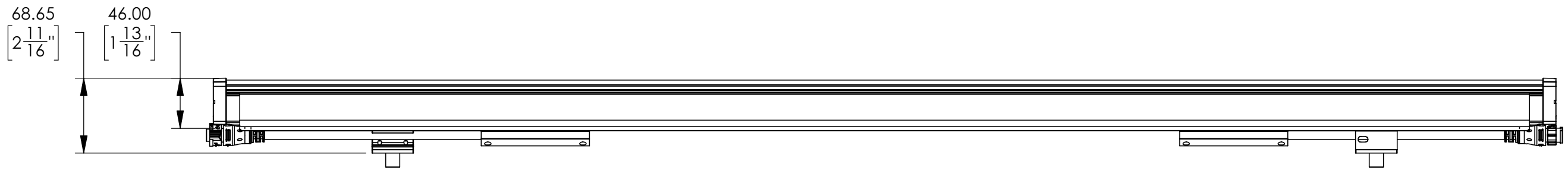
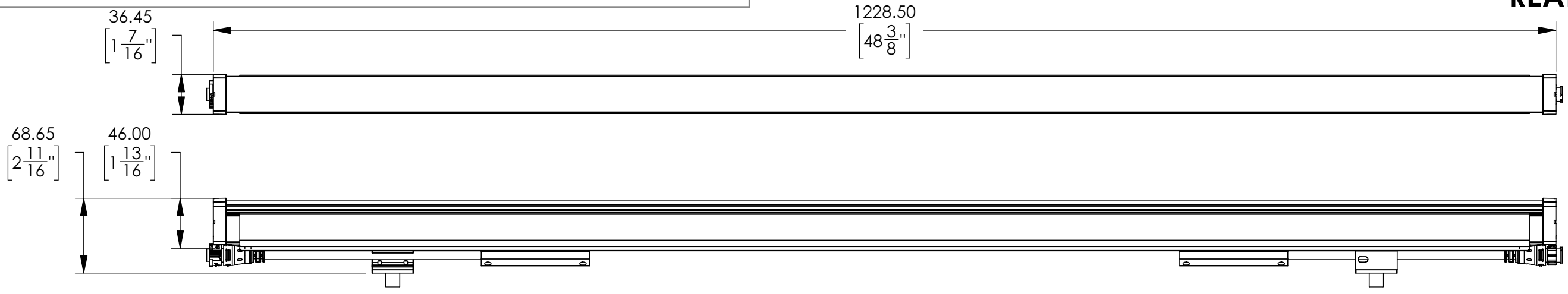
2

1

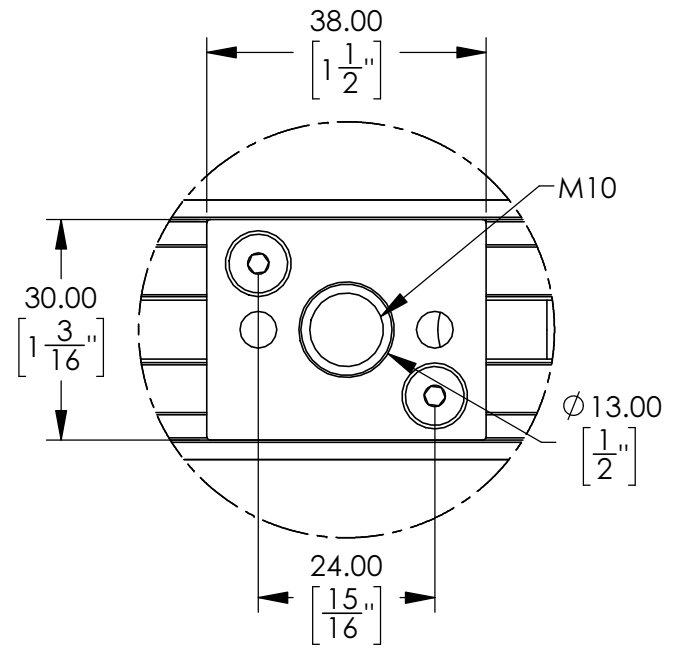
8 7 6 5 4 3 2 1

PROPRIETARY AND CONFIDENTIAL
 THE INFORMATION CONTAINED IN THIS DRAWING IS THE SOLE PROPERTY OF PHILIPS COLOR KINETICS, INC.
 ANY REPRODUCTION IN PART OR AS A WHOLE WITHOUT THE WRITTEN PERMISSION OF PHILIPS COLOR KINETICS, INC. IS PROHIBITED.

REAR MOUNTING



**DETAIL B
 SCALE 1 : 1**



**DETAIL C
 SCALE 1 : 1**



DESCRIPTION
**PRODUCT DOCUMENT DRAWING,
 ACCENT COMPACT 4CH, FLAT
 LENS, 4FT AND 2FT**

SIZE	DWG. NO.	REV
B	PDD-000144-00	00
FILE NAME	DO NOT SCALE DRAWING	SHEET 4 OF 8
	SCALE 1:4	

8 7 6 5 4 3 2 1

8

7

6

5

4

3

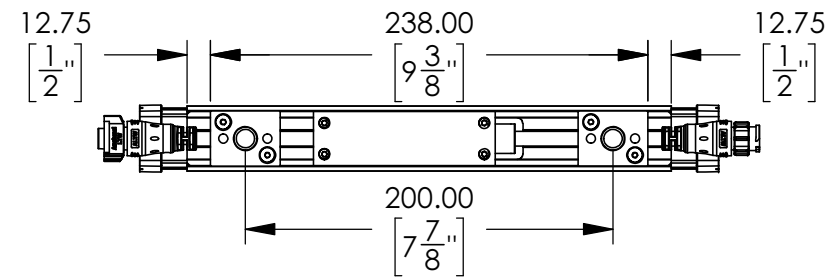
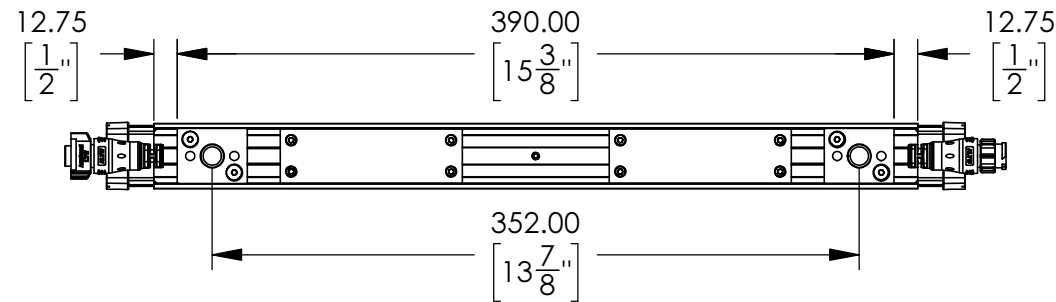
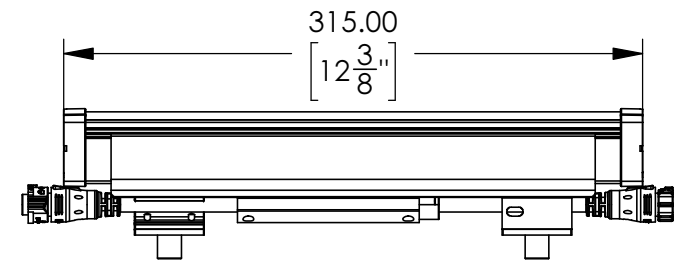
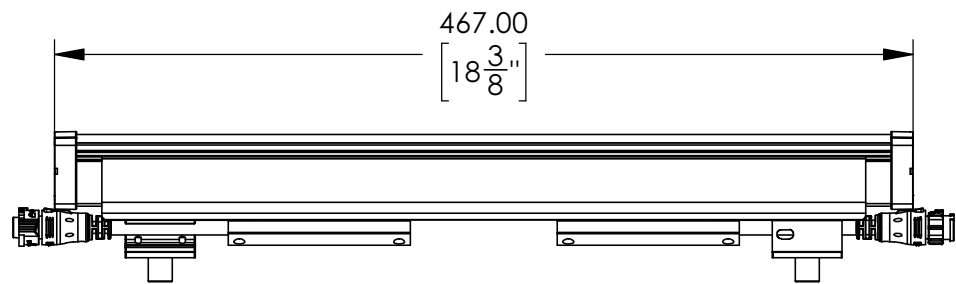
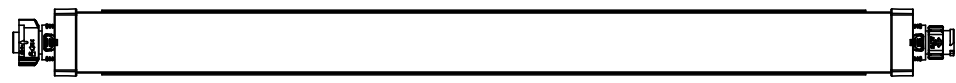
2

1

PROPRIETARY AND CONFIDENTIAL

THE INFORMATION CONTAINED IN THIS DRAWING IS THE SOLE PROPERTY OF PHILIPS COLOR KINETICS, INC. ANY REPRODUCTION IN PART OR AS A WHOLE WITHOUT THE WRITTEN PERMISSION OF PHILIPS COLOR KINETICS, INC. IS PROHIBITED.

REAR MOUNTING



DESCRIPTION
**PRODUCT DOCUMENT DRAWING,
ACCENT COMPACT 4CH, FLAT
LENS, 1.5FT AND 1FT**

SIZE DWG. NO.
B PDD-000144-00

REV
00

DO NOT SCALE DRAWING
SCALE **1:4** SHEET **5 OF 8**

8

7

6

5

4

3

2

1

8

7

6

5

4

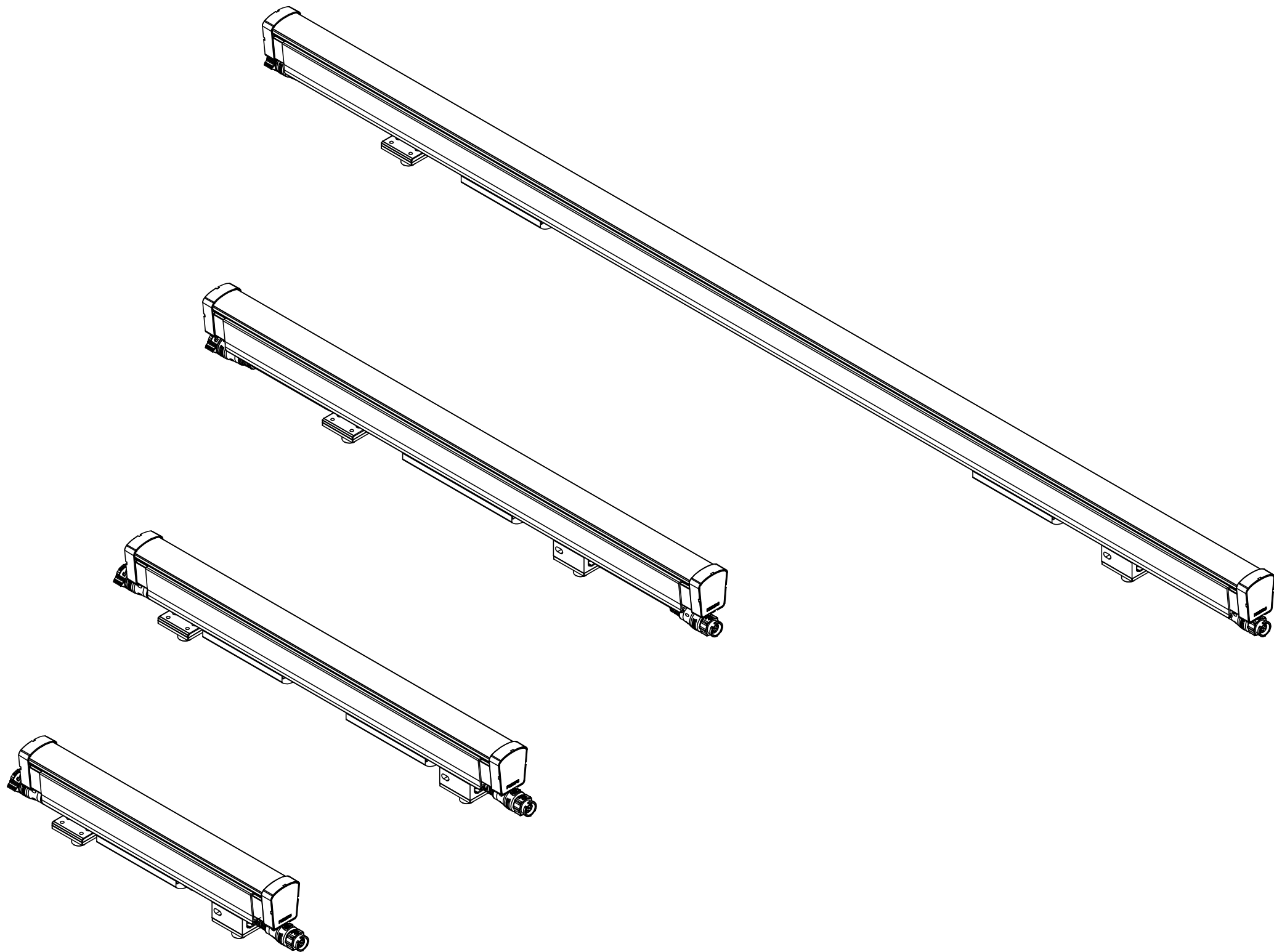
3

2

1

PROPRIETARY AND CONFIDENTIAL

THE INFORMATION CONTAINED IN THIS DRAWING IS THE SOLE PROPERTY OF PHILIPS COLOR KINETICS, INC.
ANY REPRODUCTION IN PART OR AS A WHOLE WITHOUT THE WRITTEN PERMISSION OF PHILIPS COLOR KINETICS, INC. IS PROHIBITED.



DESCRIPTION
**PRODUCT DOCUMENT DRAWING,
 ACCENT COMPACT 4CH, FLAT
 LENS, ISO VIEW**

SIZE	DWG. NO.	REV
B	PDD-000144-00	00

FILE NAME	DO NOT SCALE DRAWING	SHEET 6 OF 8
	SCALE 1:4	

8

7

6

5

4

3

2

1

8

7

6

5

4

3

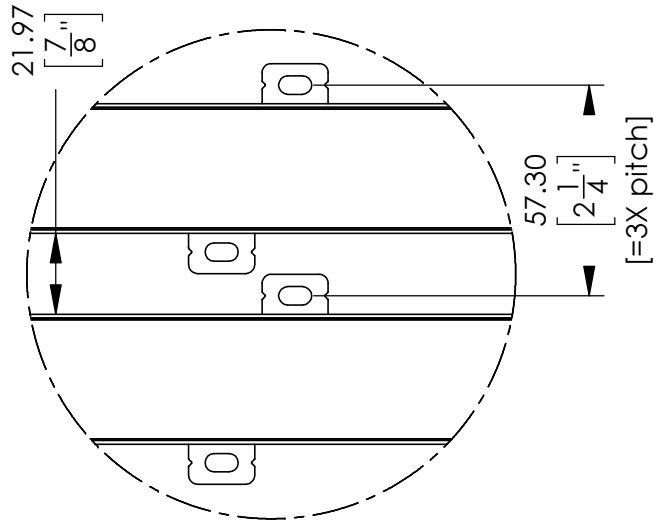
2

1

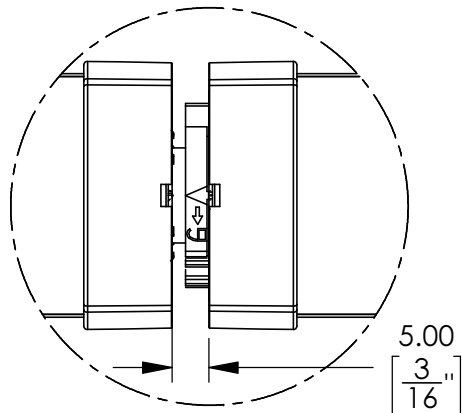
PROPRIETARY AND CONFIDENTIAL

THE INFORMATION CONTAINED IN THIS DRAWING IS THE SOLE PROPERTY OF PHILIPS COLOR KINETICS, INC. ANY REPRODUCTION IN PART OR AS A WHOLE WITHOUT THE WRITTEN PERMISSION OF PHILIPS COLOR KINETICS, INC. IS PROHIBITED.

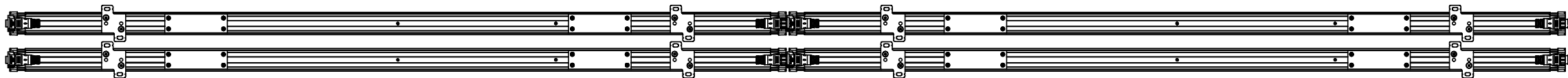
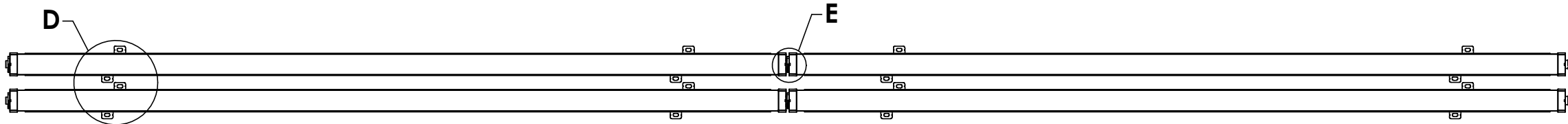
FRONT MOUNTING



DETAIL D
SCALE 1 : 2



DETAIL E
SCALE 1 : 1



DESCRIPTION
**PRODUCT DOCUMENT DRAWING,
 ACCENT COMPACT 4CH, FLAT
 LENS**

SIZE	DWG. NO.	REV
B	PDD-000144-00	00
FILE NAME	DO NOT SCALE DRAWING	SCALE 1:8 SHEET 7 OF 8

8

7

6

5

4

3

2

1

8

7

6

5

4

3

2

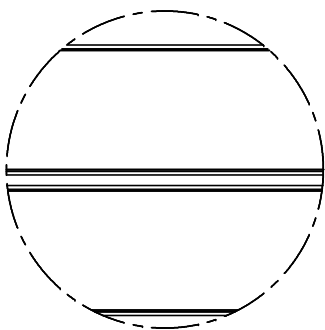
1

PROPRIETARY AND CONFIDENTIAL

THE INFORMATION CONTAINED IN THIS DRAWING IS THE SOLE PROPERTY OF PHILIPS COLOR KINETICS, INC. ANY REPRODUCTION IN PART OR AS A WHOLE WITHOUT THE WRITTEN PERMISSION OF PHILIPS COLOR KINETICS, INC. IS PROHIBITED.

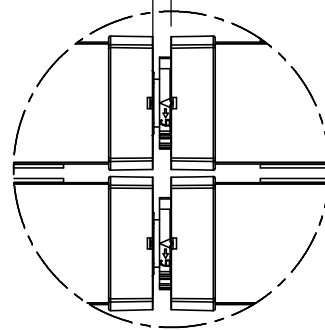
REAR MOUNTING

2.87
[1/8"]

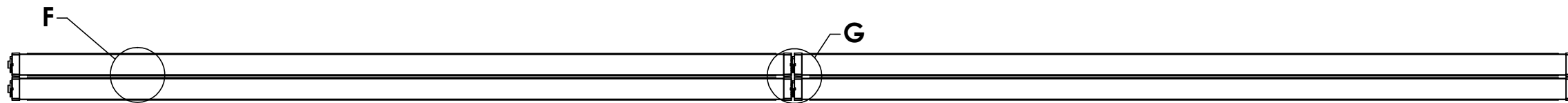


DETAIL F
SCALE 1 : 2

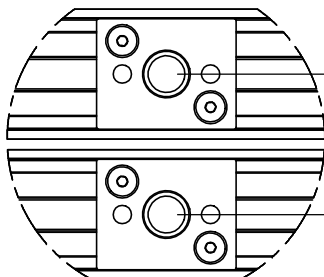
5.00
[3/16"]



DETAIL G
SCALE 1 : 2



H



38.20
[1 1/2"]
[=2X PITCH]

DETAIL H
SCALE 1 : 2



DESCRIPTION
PRODUCT DOCUMENT DRAWING,
ACCENT COMPACT 4CH, FLAT
LENS

SIZE DWG. NO.
B PDD-000144-00

REV
00

DO NOT SCALE DRAWING
SCALE 1:8 SHEET 8 OF 8

8

7

6

5

4

3

2

1