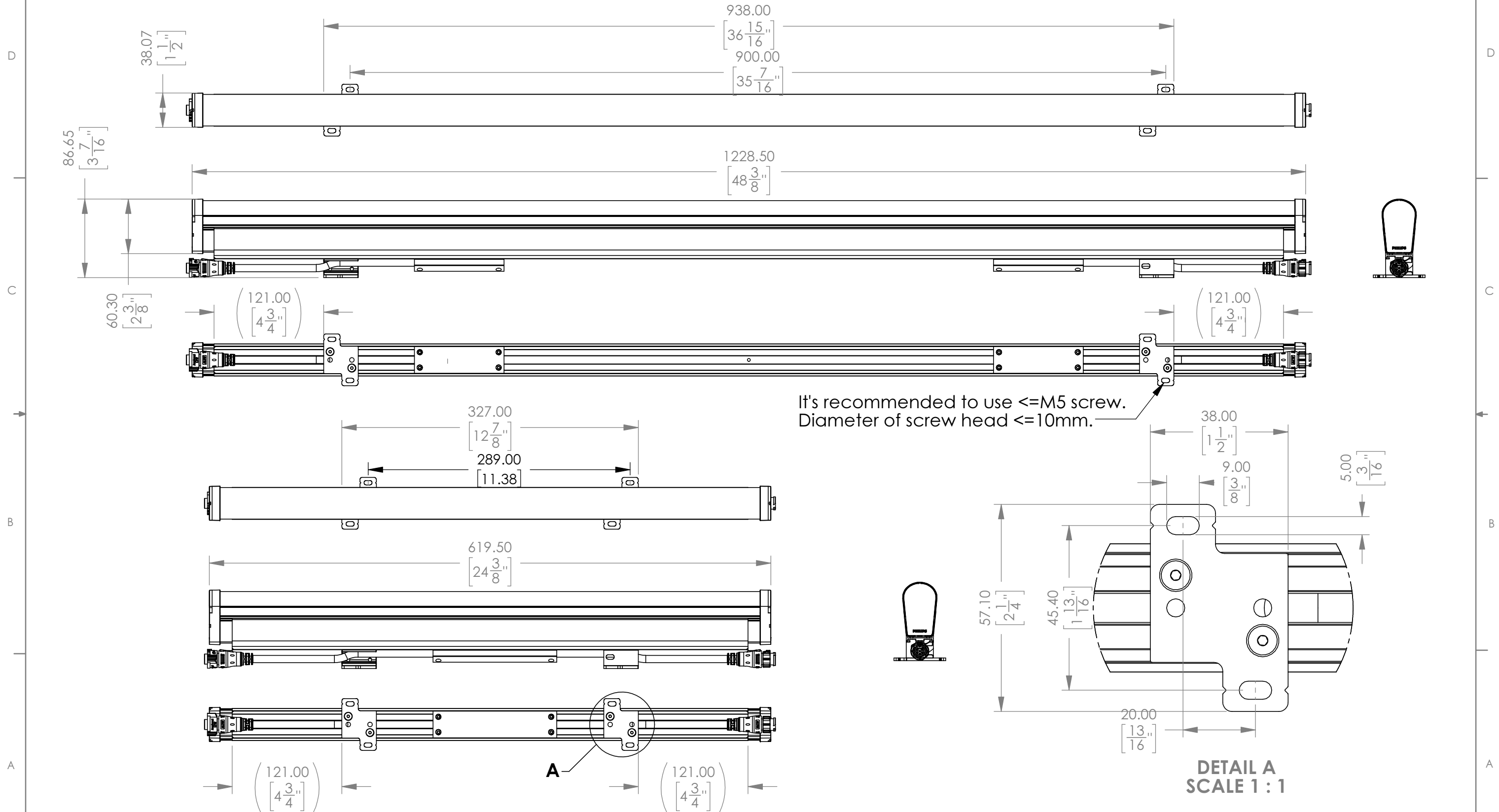


Front mounting

REVISIONS					
ZONE	REV.	ECO	DESCRIPTION	DATE	APPROVED
	00	011625	INITIAL RELEASE	2018/03/09	TONY WU



PROPRIETARY AND CONFIDENTIAL
 THE INFORMATION CONTAINED IN THIS DRAWING IS THE SOLE PROPERTY OF PHILIPS COLOR KINETICS, INC. ANY REPRODUCTION IN PART OR AS A WHOLE WITHOUT THE WRITTEN PERMISSION OF PHILIPS COLOR KINETICS, INC. IS PROHIBITED.

PHILIPS COLOR KINETICS
 PHILIPS COLOR KINETICS, INC. www.philips.com
 3 Burlington Woods Dr. Burlington MA 01803
 TEL: 888-385-5742 FAX: 617-338-0454

MATERIAL	SEE NOTES
FINISH	SEE NOTES
DRAWN	DATE
TONY WU	2018-03-09
CHECKED	DATE
-	-

-UNLESS OTHERWISE SPECIFIED-
 DIMENSIONS ARE IN MILLIMETERS [INCHES]
 INTERPRET GEOMETRIC TOLERANCING PER: ANSI Y14.5M

TOLERANCES: ANGLE DECIMAL
 $\pm 1^\circ$.X ± 0.5 mm
 .XX ± 0.25 mm
 .XXX ± 0.125 mm

THIRD ANGLE PROJECTION

DESCRIPTION
PRODUCT DOCUMENT DRAWING, ACCENT COMPACT 4CH, DOME LENS, 4FT AND 2FT

SIZE	DWG. NO.	REV
B	PDD-000143-00	00
FILE NAME	DO NOT SCALE DRAWING	SHEET 1 OF 8
	SCALE 1:4	

8

7

6

5

4

3

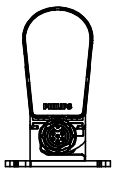
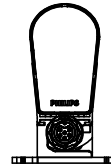
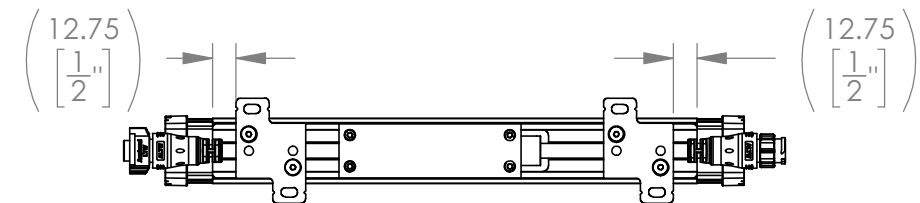
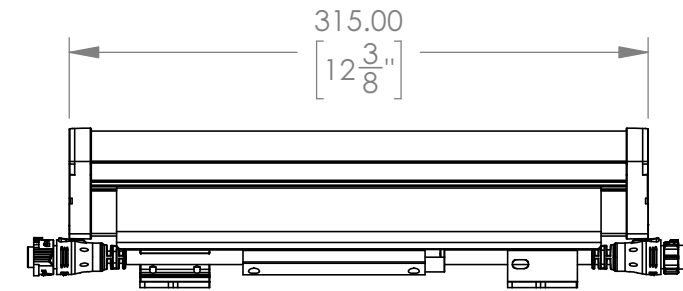
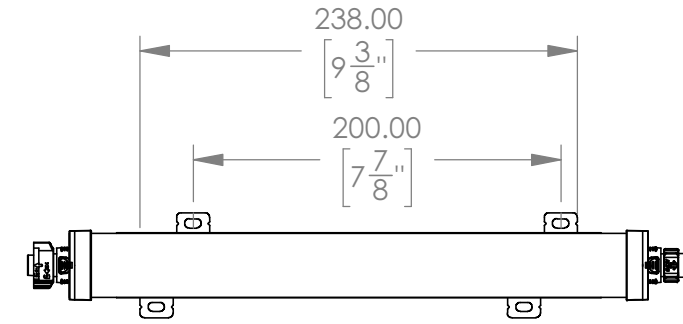
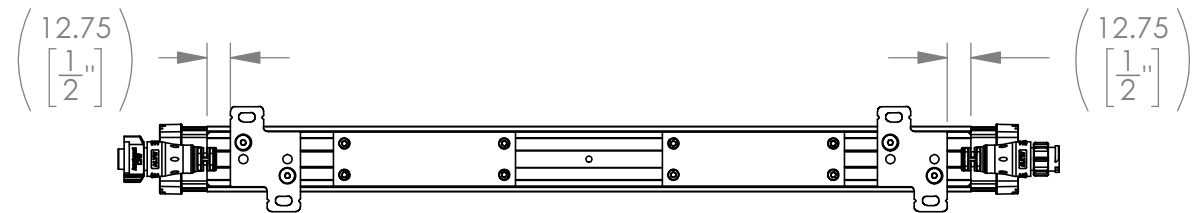
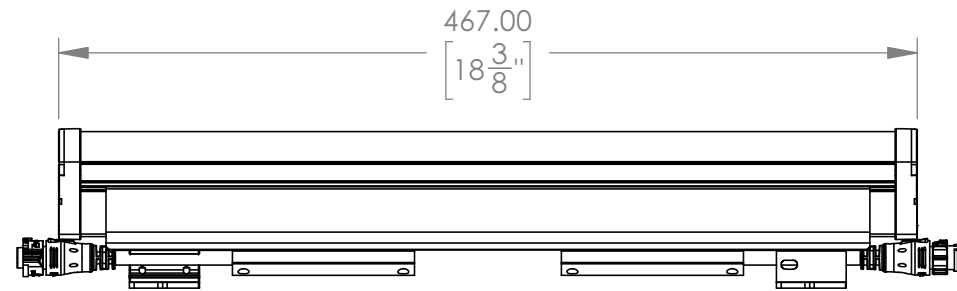
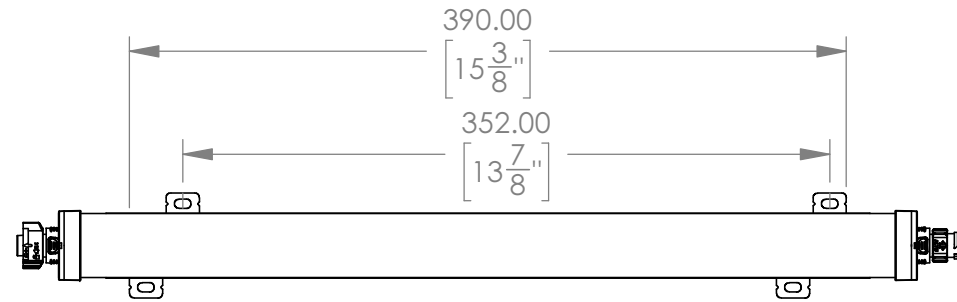
2

1

PROPRIETARY AND CONFIDENTIAL

THE INFORMATION CONTAINED IN THIS DRAWING IS THE SOLE PROPERTY OF PHILIPS COLOR KINETICS, INC. ANY REPRODUCTION IN PART OR AS A WHOLE WITHOUT THE WRITTEN PERMISSION OF PHILIPS COLOR KINETICS, INC. IS PROHIBITED.

Front mounting



DESCRIPTION
**PRODUCT DOCUMENT DRAWING,
 ACCENT COMPACT 4CH, DOME
 LENS, 1.5FT AND 1FT**

SIZE DWG. NO.
B PDD-000143-00

REV
00

DO NOT SCALE DRAWING
 SCALE **1:4** SHEET **2 OF 8**

8

7

6

5

4

3

2

1

8

7

6

5

4

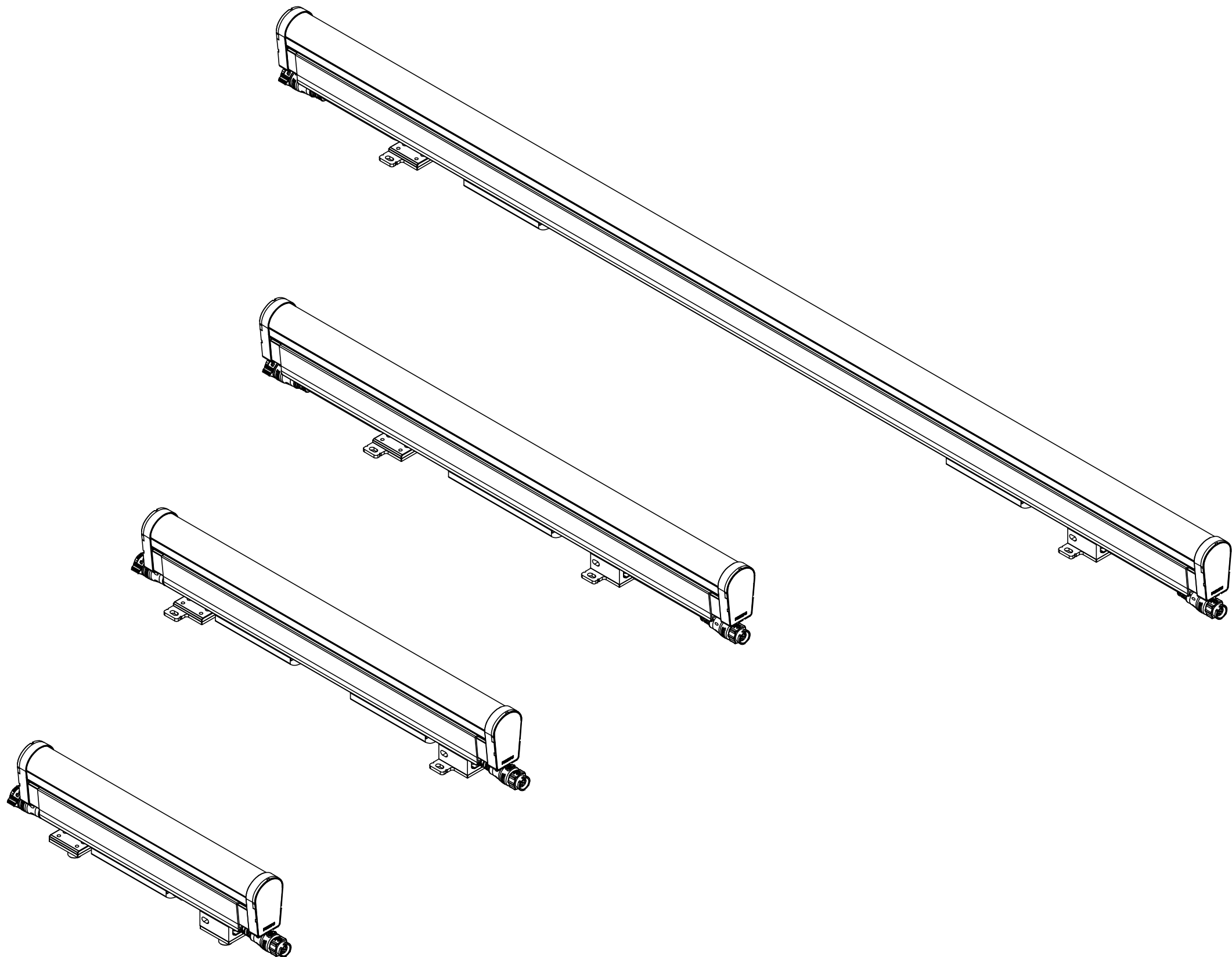
3

2

1

PROPRIETARY AND CONFIDENTIAL

THE INFORMATION CONTAINED IN THIS DRAWING IS THE SOLE PROPERTY OF PHILIPS COLOR KINETICS, INC.
ANY REPRODUCTION IN PART OR AS A WHOLE WITHOUT THE WRITTEN PERMISSION OF PHILIPS COLOR KINETICS, INC. IS PROHIBITED.



DESCRIPTION
**PRODUCT DOCUMENT DRAWING,
 ACCENT COMPACT 4CH, DOME
 LENS, ISO VIEW**

SIZE	DWG. NO.	REV
B	PDD-000143-00	00

FILE NAME	DO NOT SCALE DRAWING	SHEET 3 OF 8
	SCALE 1:4	

8

7

6

5

4

3

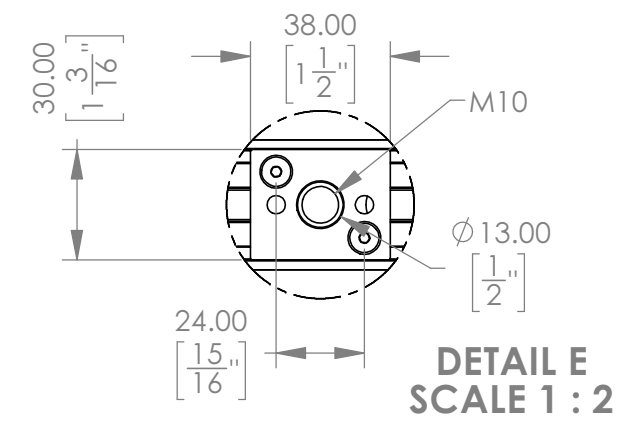
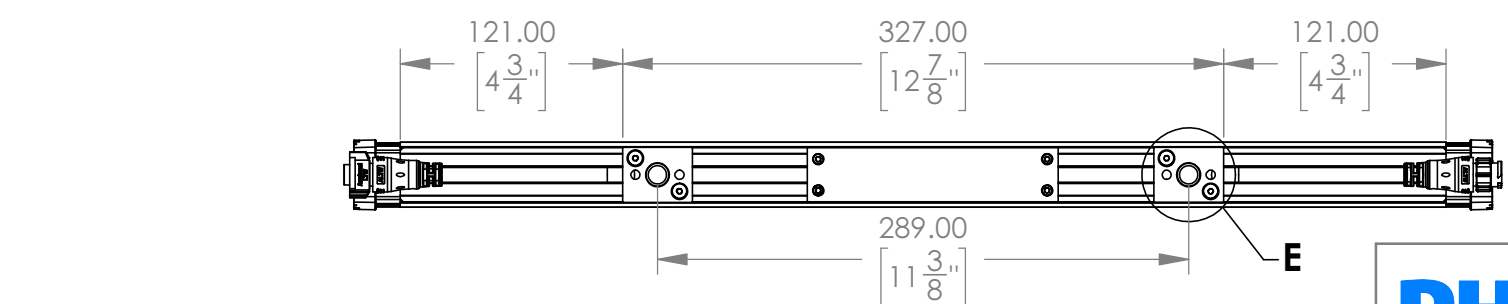
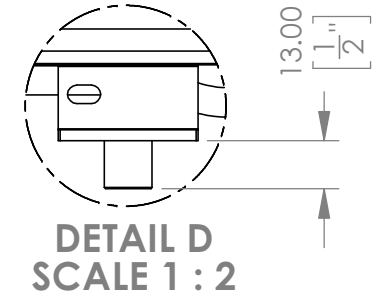
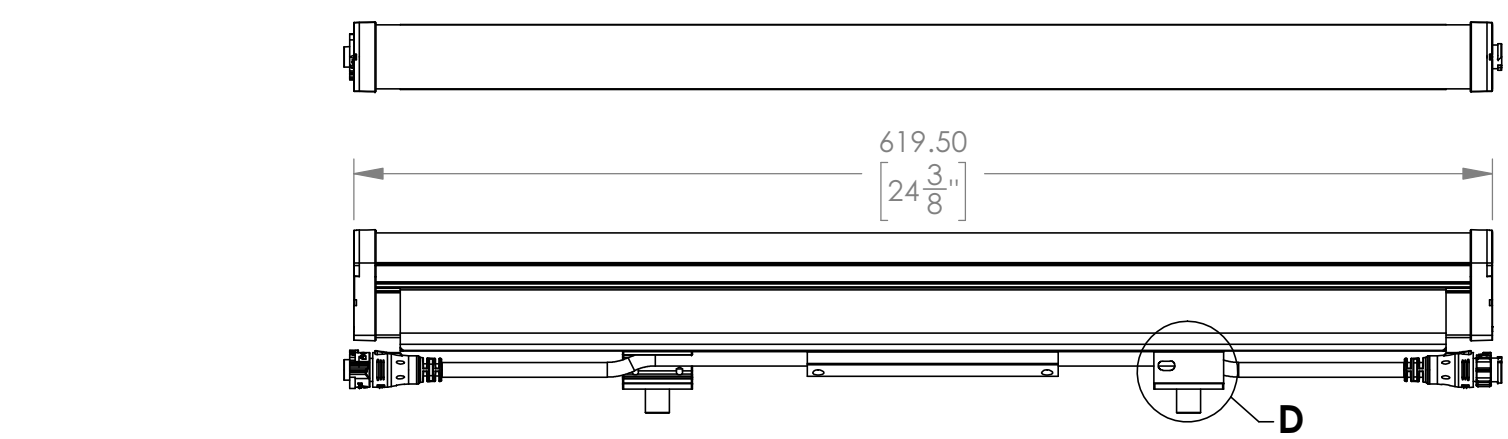
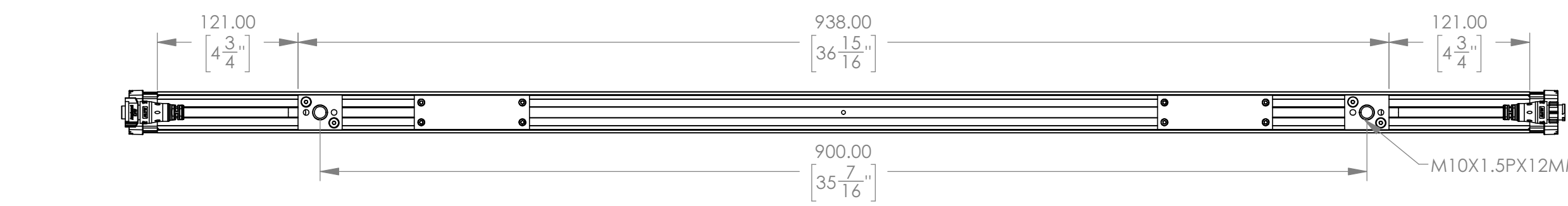
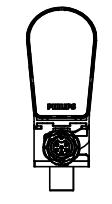
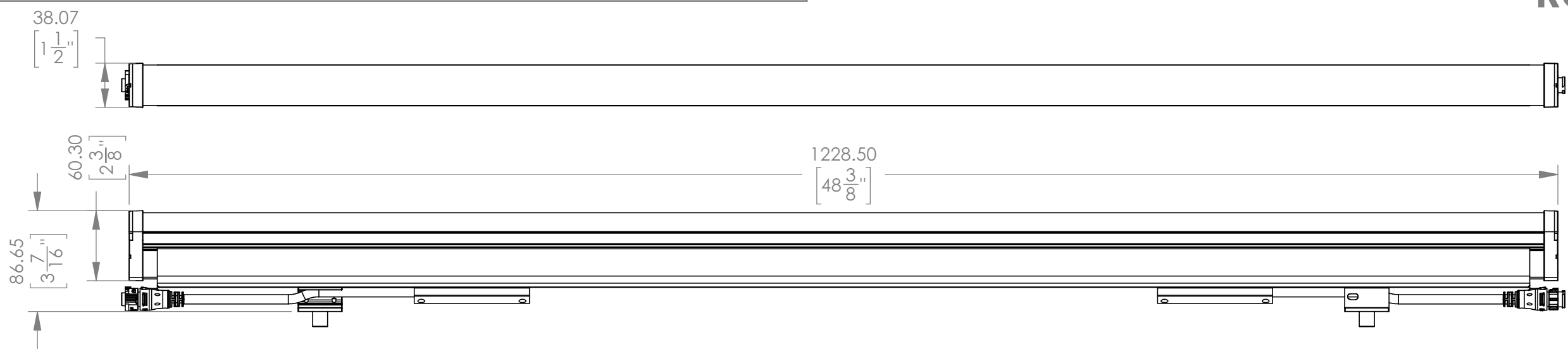
2

1

8 7 6 5 4 3 2 1

PROPRIETARY AND CONFIDENTIAL
 THE INFORMATION CONTAINED IN THIS DRAWING IS THE SOLE PROPERTY OF PHILIPS COLOR KINETICS, INC.
 ANY REPRODUCTION IN PART OR AS A WHOLE WITHOUT THE WRITTEN PERMISSION OF PHILIPS COLOR KINETICS, INC. IS PROHIBITED.

Rear mounting



DESCRIPTION PRODUCT DOCUMENT DRAWING, ACCENT COMPACT 4CH, DOME LENS, 4FT AND 2FT	SIZE	DWG. NO.	REV
	B	PDD-000143-00	00
FILE NAME	DO NOT SCALE DRAWING	SHEET 4 OF 8	
	SCALE 1:4		

8 7 6 5 4 3 2 1

8

7

6

5

4

3

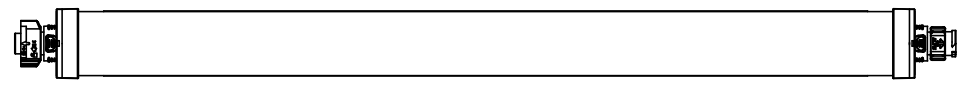
2

1

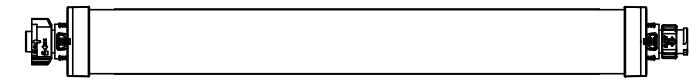
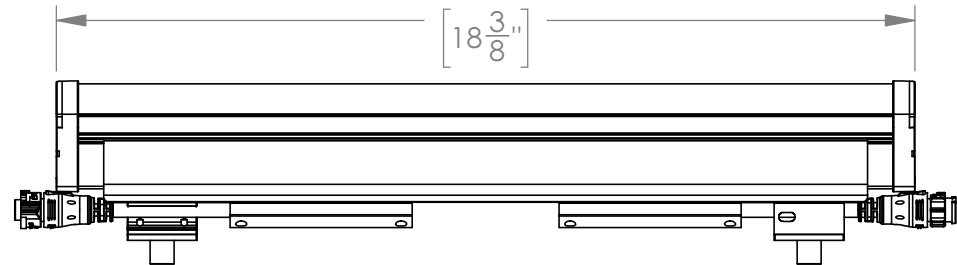
PROPRIETARY AND CONFIDENTIAL

THE INFORMATION CONTAINED IN THIS DRAWING IS THE SOLE PROPERTY OF PHILIPS COLOR KINETICS, INC. ANY REPRODUCTION IN PART OR AS A WHOLE WITHOUT THE WRITTEN PERMISSION OF PHILIPS COLOR KINETICS, INC. IS PROHIBITED.

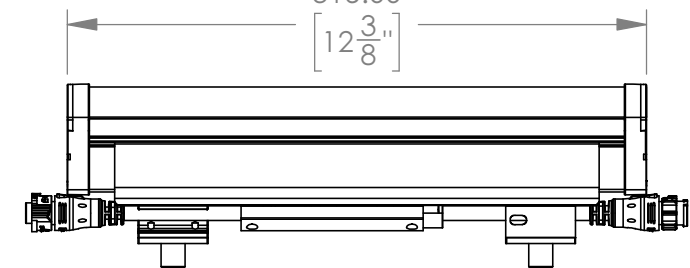
Rear mounting



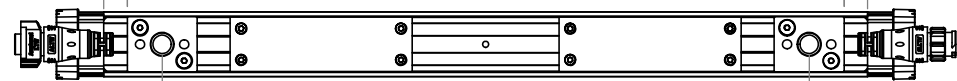
467.00
[18 3/8"]



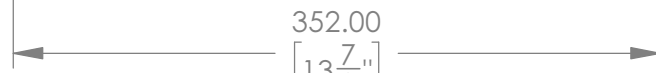
315.00
[12 3/8"]



12.75 [1/2"] 390.00 [15 3/8"] 12.75 [1/2"]



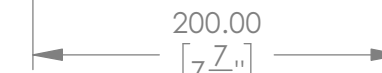
352.00
[13 7/8"]



12.75 [1/2"] 238.00 [9 3/8"] 12.75 [1/2"]



200.00
[7 7/8"]



DESCRIPTION
**PRODUCT DOCUMENT DRAWING,
ACCENT COMPACT 4CH, DOME
LENS, 1.5FT AND 1FT**

SIZE	DWG. NO.	REV
B	PDD-000143-00	00
FILE NAME	DO NOT SCALE DRAWING	SCALE
	SCALE 1:4	SHEET 5 OF 8

8

7

6

5

4

3

2

1

8

7

6

5

4

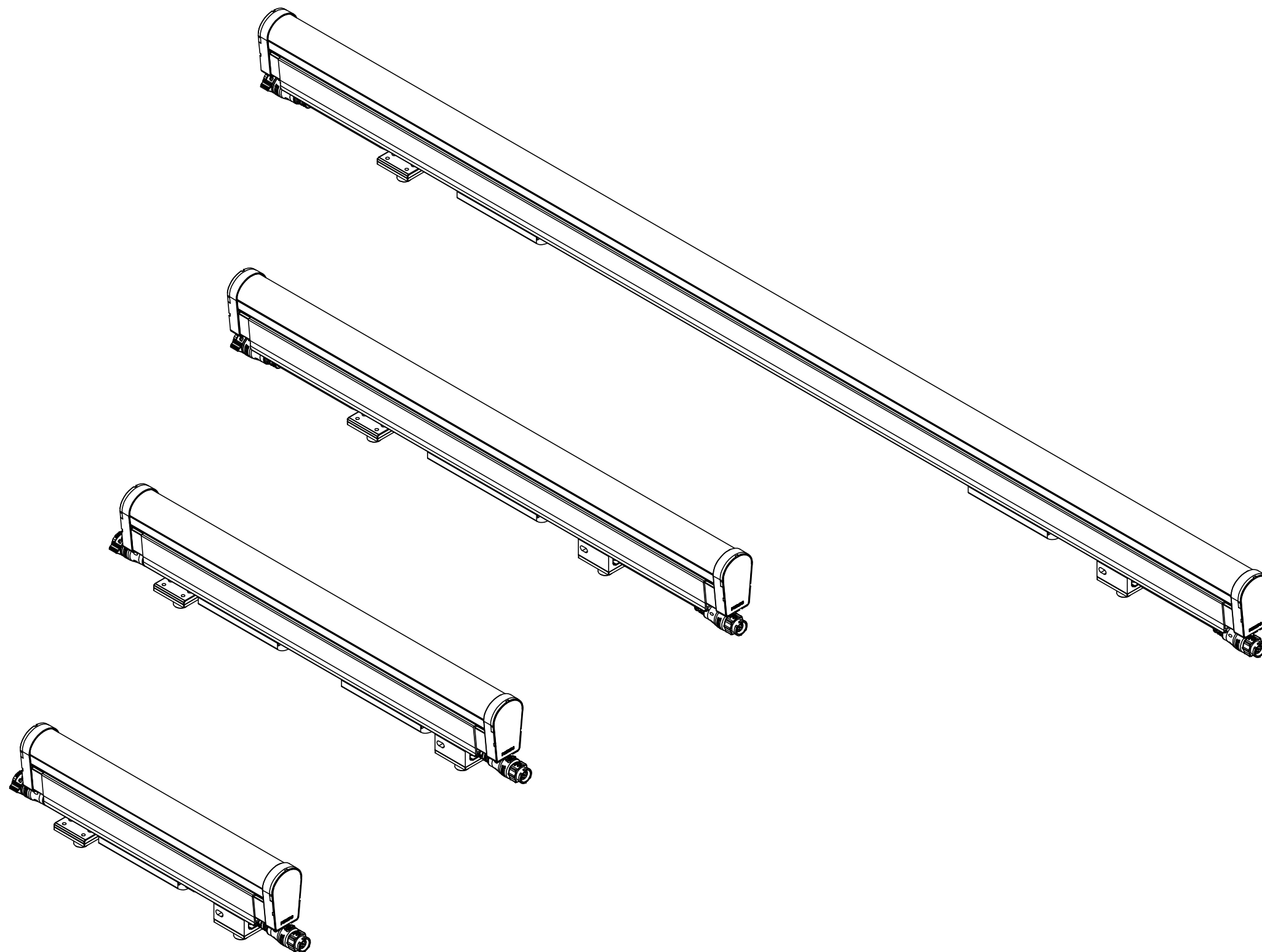
3

2

1

PROPRIETARY AND CONFIDENTIAL

THE INFORMATION CONTAINED IN THIS DRAWING IS THE SOLE PROPERTY OF PHILIPS COLOR KINETICS, INC. ANY REPRODUCTION IN PART OR AS A WHOLE WITHOUT THE WRITTEN PERMISSION OF PHILIPS COLOR KINETICS, INC. IS PROHIBITED.



DESCRIPTION
**PRODUCT DOCUMENT DRAWING,
 ACCENT COMPACT 4CH, DOME
 LENS, ISO VIEW**

SIZE	DWG. NO.	REV
B	PDD-000143-00	00

FILE NAME	DO NOT SCALE DRAWING	SHEET 6 OF 8
ASY-002321-XX Rev. 1.0	Rev. 1.0	

8

7

6

5

4

3

2

1

8

7

6

5

4

3

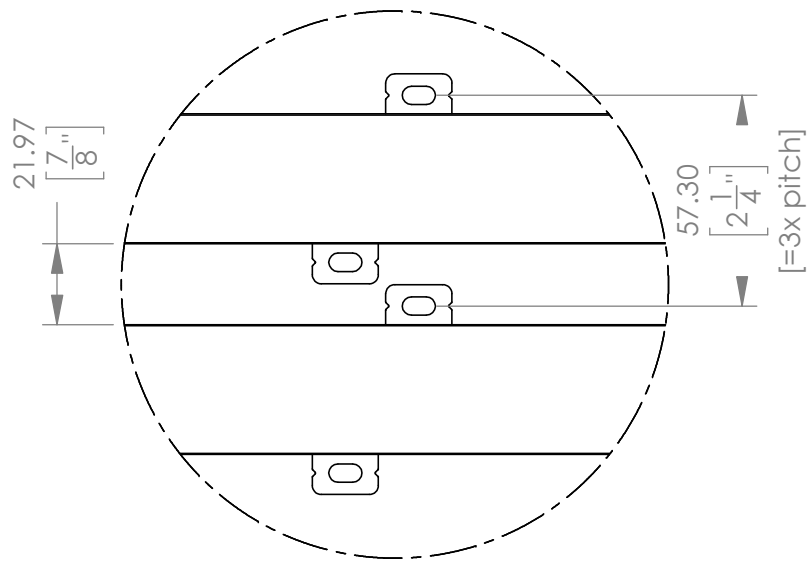
2

1

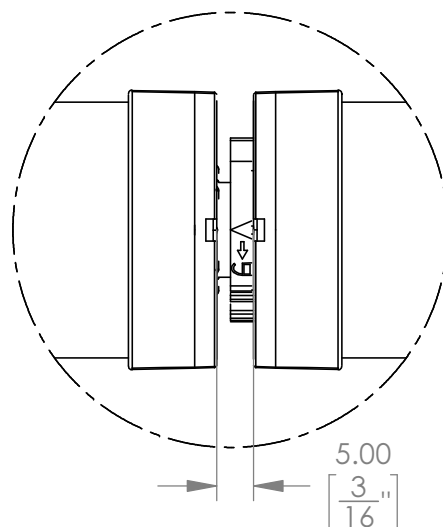
PROPRIETARY AND CONFIDENTIAL

THE INFORMATION CONTAINED IN THIS DRAWING IS THE SOLE PROPERTY OF PHILIPS COLOR KINETICS, INC. ANY REPRODUCTION IN PART OR AS A WHOLE WITHOUT THE WRITTEN PERMISSION OF PHILIPS COLOR KINETICS, INC. IS PROHIBITED.

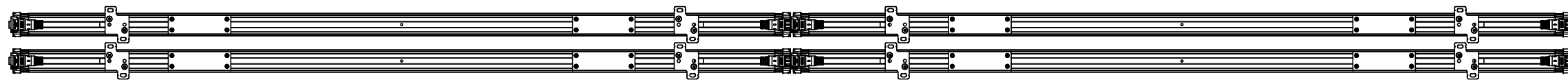
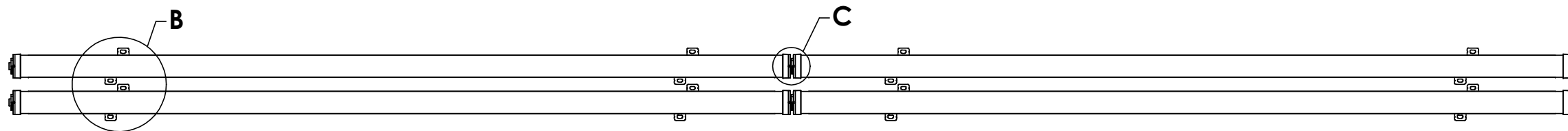
Front mounting



DETAIL B
SCALE 1 : 2



DETAIL C
SCALE 1 : 1



DESCRIPTION
**PRODUCT DOCUMENT DRAWING,
 ACCENT COMPACT 4CH, DOME
 LENS**

SIZE	DWG. NO.	REV
B	PDD-000143-00	00
DO NOT SCALE DRAWING		
SCALE	1:8	SHEET 7 OF 8

8

7

6

5

4

3

2

1

8

7

6

5

4

3

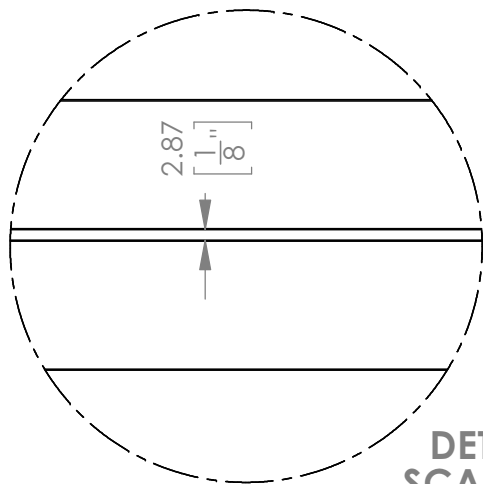
2

1

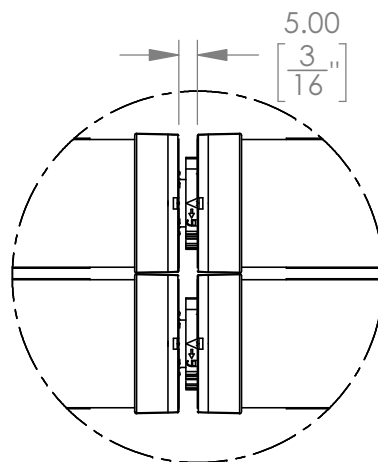
PROPRIETARY AND CONFIDENTIAL

THE INFORMATION CONTAINED IN THIS DRAWING IS THE SOLE PROPERTY OF PHILIPS COLOR KINETICS, INC. ANY REPRODUCTION IN PART OR AS A WHOLE WITHOUT THE WRITTEN PERMISSION OF PHILIPS COLOR KINETICS, INC. IS PROHIBITED.

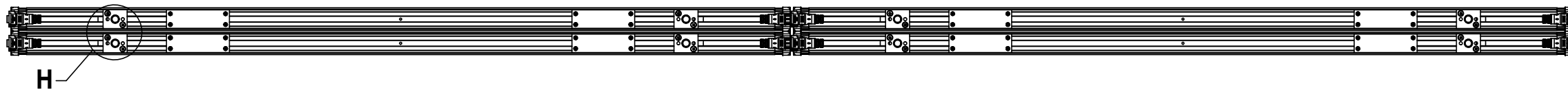
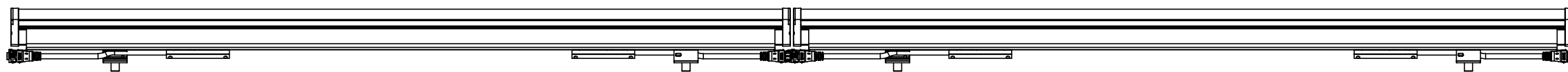
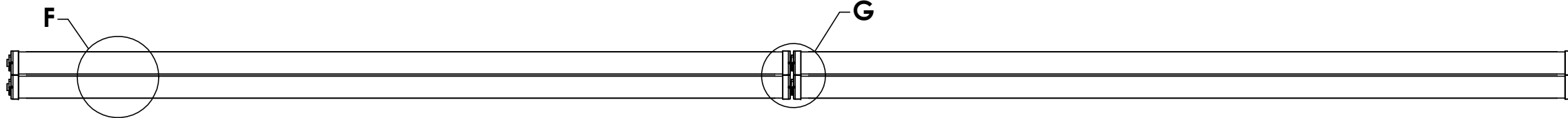
Rear mounting



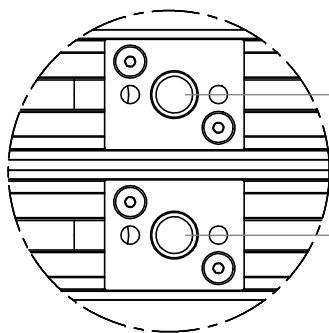
DETAIL F
SCALE 1 : 2



DETAIL G
SCALE 1 : 2



H



DETAIL H
SCALE 1 : 2



DESCRIPTION
**PRODUCT DOCUMENT DRAWING,
 ACCENT COMPACT 4CH, DOME
 LENS**

SIZE DWG. NO.
B PDD-000143-00

REV
00

DO NOT SCALE DRAWING
 SCALE **1:8** SHEET **8 OF 8**

8

7

6

5

4

3

2

1