

# Graze Powercore Inground Enclosure

Date: \_\_\_\_\_  
Type: \_\_\_\_\_  
Firm Name: \_\_\_\_\_  
Project: \_\_\_\_\_

**Outer Box for 1219 mm (48 in)  
luminaire**

## ACCESSORY

### Outdoor rated enclosure for ground recessed lighting applications

The Inground Enclosure for Graze Powercore luminaires enables ground recessed lighting applications using any luminaire in the Graze Powercore family. A sealed and pressure tested glass cover protects luminaires from both walkover impact and water damage while a field adjustable mounting base can be tilted up to 15° without interrupting the beam pattern making the enclosure both durable and flexible.



- Keeps grazing luminaires out of view for outdoor applications and high traffic areas.
- Convenient field adjustable tilting mechanism gives you the flexibility to change the angle of the luminaire by  $\pm 15^\circ$  without disturbing the beam.
- IK10 impact glass cover ensures outdoor rated sturdiness and prevents water from leaking into the enclosure.
- Available in four standard lengths—305 mm (12 in), 610 mm (24 in), 914 mm (36 in) and 1219 mm (48 in) designed to accommodate all four available lengths of Graze Powercore luminaires.

For more information, please refer to [www.colorkinetics.com/ls/accessories/Graze/](http://www.colorkinetics.com/ls/accessories/Graze/)

# Specifications

Due to continuous improvements and innovations, specifications may change without notice.

## Physical

Dimensions (Height x Width x Depth)	1333.6 x 184.3 x 173 mm (52.5 x 7.25 x 6.8 in)
Weight	11.2 kg (24.7 lb)
Housing	Stainless steel
Ambient Temperature	50 °C (122 °F) Maximum Ambient Temperature
Surface Temperature	100 °C (212 °F) Maximum Surface Temperature
Conduit Opening	¾ in US Trade Size or 40 mm (1.75 in), outer diameter
Mechanical Impact Rating	IK10, Walkover grade
Static Load Resistance	1,000 kg (10 kN)

## Certification and Safety

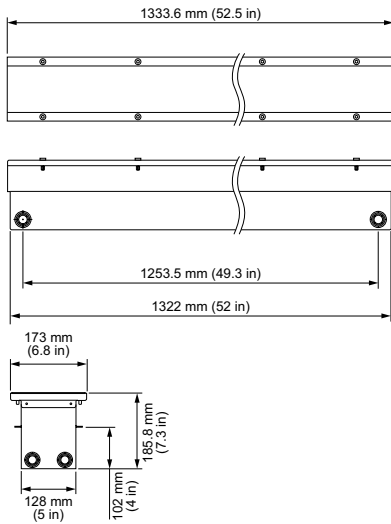
Certification

UL, CE



# Dimensions

## Assembled Enclosure



# Part Numbers

To order an Inground Enclosure for Graze Powercore, you will need to order both the inner and outer box part numbers, in addition to either a UL or CE leader cable to wire each luminaire into the junction box provided as part of the inner box.

## Accessory†

	Item Number	Item 12NC
Graze Powercore Inground Enclosure, Outer Box for 1219 mm (48 in) luminaire	120-000190-07	912400133691

## Leader Cables‡

Leader Cable, 1.52 m (5 ft), UL, for Inground Enclosure	108-000055-09	912400134321
Leader Cable, 1.52 m (5 ft), CE, for Inground Enclosure	108-000055-10	912400134322

## Associated Part

Graze Powercore Inground Enclosure, Inner Box for 1219 mm (48 in) luminaire	120-000190-06	912400133690
---	---------------	--------------

\* Luminaires must be ordered separately. For specifications including operating temperature ranges and thermal management, please contact Color Kinetics Applications Engineering Services at <http://www.lighting.philips.com/support/connect/contact-us>.

† To order an Inground Enclosure for Graze Powercore you will need to order both the inner and outer box from the part numbers listed above in addition to either a UL or CE leader cable to wire each luminaire into the junction box provided as part of the inner box.

‡ In order to connect Inground Enclosure to Inground Enclosure appropriate AWG wiring with a diameter of 10 to 14 mm (0.39 to 0.55 in) will need to be purchased from a third-party. For Color or Intelligent White luminaires specify 4 Conductor 12 AWG (4 x 2.5 mm) wire. For eW luminaires specify 3 Conductor 12 AWG (3 x 2.5 mm) wire.



© 2019 Signify Holding. All rights reserved. Specifications are subject to change without notice. No representation or warranty as to the accuracy or completeness of the information included herein is given and any liability for any action in reliance thereon is disclaimed.

Color Kinetics  
[www.colorkinetics.com](http://www.colorkinetics.com)