

ColorGraze QLX Powercore

Date: _____
Type: _____
Firm Name: _____
Project: _____

RGB, 60° x 30° Beam Angle, 914 mm
(3 ft)

Performance linear exterior LED wall grazing luminaires with RGB light

ColorGraze QLX Powercore is a high-performance, exterior linear luminaire designed to highlight architectural features ranging from surface textures and molding details to archways and windows. Graze RGB luminaires offer rich, saturated color and color-changing effects. Multiple fixture lengths, beam angles, output levels, and power consumption levels support a large range of façade or surface illumination applications. Low-profile housing, connectorized cabling, a universal power input range, and direct line voltage operation make Graze luminaires easy to install and operate.



- Tailor light output to specific applications—Available in four standard lengths (1 ft, 2 ft, 3 ft, and 4 ft), four performance levels (MX, QLX, QLX 5W, and EC), and six standard 9° x 9°, 10° x 60°, 15° x 30°, 30° x 60°, 60° x 30°, and 90° x 90° (EC only) beam angles.
- Flexible integration—Graze's ultra-low profile lets it fit discretely into almost any layout, from simple to elaborate.
- Customizable accessories - Customize your Graze fixture with a choice of three accessories: mounting arm, masking shield, and graze louver. Mounting arm available in three sizes and three colors (black, white, and gray), and masking shield available in four lengths (1 ft, 2 ft, 3 ft, and 4 ft).
- Integrates patented Powercore technology that controls power output to luminaires directly from line voltage – rapidly, efficiently, and accurately. The Color Kinetics Data Enabler Pro merges line voltage with control data and delivers them to luminaires over a single standard cable, dramatically simplifying installation and lowering total system cost.
- Graze provides years of reliable use under rugged conditions. Graze raises reliability even further with more protection from corrosion by meeting ASTM B117 standard and ANSI C136.31-2010 standard with a 3G vibration rating, and elimination of water pooling on the lens.
- Works seamlessly with the Color Kinetics full range of controllers, including Light System Manager, Video System Manager, Video System Manager Pro, iPlayer 3, Antumbra iColor Keypad, and ColorDial Pro—as well as third-party controllers.
- Convenient push-and-click connectors let you easily and rapidly install Leader Cables and Jumper Cables. Constant torque locking hinges offer simple and consistent position control from various angles.

For detailed product information, please refer to the ColorGraze QLX Powercore Product Guide at www.colorkinetics.com/ls/rgb/colorgrazeqlxpowercore/

Specifications

Due to continuous improvements and innovations, specifications may change without notice.

Output

Beam Angle	60° x 30°
Lumens†	1,233
Efficacy (lm/W)§§	20.7
LED Channels	Red/Green/Blue

Electrical

Input Voltage	100 to 277 VAC, auto-ranging, 50/60 Hz
Power Consumption (Maximum at full output, steady state)	45 W

For Surge Protection Requirements for LED Lighting Systems, please refer to www.colorkinetics.com/KB/surge-protection.

Control

Interface	Data Enabler Pro (DMX or Ethernet)
-----------	------------------------------------

Control System

Color Kinetics full range of controllers, including Light System Manager, Video System Manager Pro, iPlayer 3, Antumbra iColor Keypad, and ColorDial Pro, or third-party controllers

Remote Monitoring & Management	ActiveSite Ready, works with Interact Landmark
--------------------------------	--

Lumen Maintenance

Threshold§	Ambient Temperature	Reported¶	Calculated¶
L ₇₀	25 °C	> 100,000	60,000
	50 °C	91,000	60,000
L ₅₀	25 °C	100,000	100,000
	50 °C	80,000	80,000

Physical

Dimensions (Height x Width x Depth)	68 x 915 x 72 mm (2.7 x 36 x 2.85 in)
Weight	3.2 kg (7.1 lb)
Housing Material	Extruded anodized aluminium
Lens	Clear UV-protected polycarbonate
Luminaire Connections	Integral male/female waterproof connectors
Specs Mounting Title	Multi-positional, constant torque locking hinges

Temperature Ranges

-40 to 50 °C (-40 to 122 °F) Operating
-20 to 50 °C (-4 to 122 °F) Startup
-40 to 80 °C (-40 to 176 °F) Storage

Vibration Resistance

Not compliant to ANSI C136.31, 3G. Special orders are available to conform to the standard. Please contact your Color Kinetics Lighting Sales rep for custom configurations.

Mechanical Impact	IK10
-------------------	------

Corrosion Resistance

Complies with ASTM B117 standard with special order. Please contact your Color Kinetics Lighting Sales rep for custom configurations.

Humidity	0 to 95%, non-condensing
----------	--------------------------

Luminaire Run Lengths

To calculate luminaire run lengths and total power consumption for your specific installation, download the Configuration Calculator from www.colorkinetics.com/support/install_tool/

Certification and Safety

Approbation	UL/cUL, FCC Class A, CE, PSE, C-Tick
Environment	Dry/Damp/Wet Location, IP66



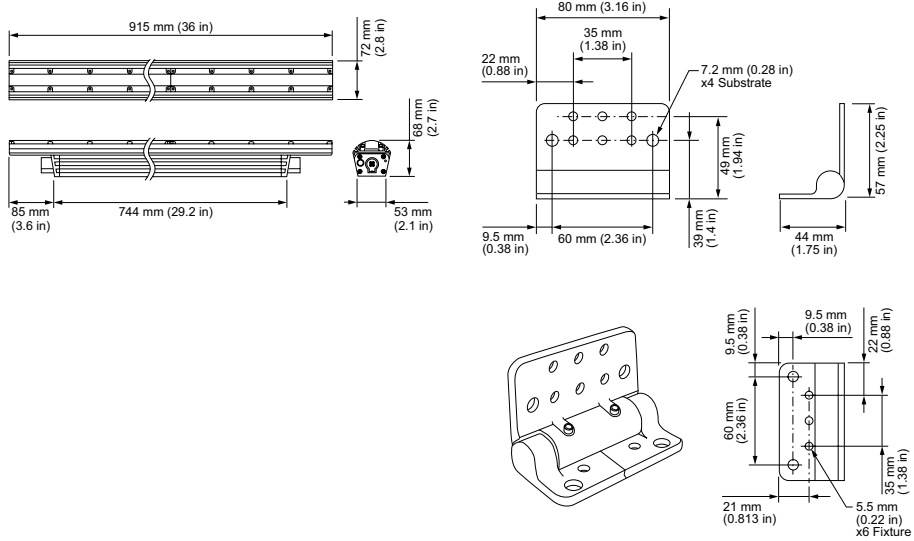
† 305 mm (1 ft) lumen output measurements comply with IES LM-79-08 testing procedures. 610 mm (2 ft), 914 mm (3 ft), and 1219 mm (4 ft) measurements are estimated based on the 305 mm (1 ft) measurements.

§ Lxx = xx% lumen maintenance (when light output drops below xx% of initial output). All values are given at B10, or the median value where 90% of the LED population is better than the reported or calculated lumen maintenance measurement.

¶ Lumen maintenance figures are based on lifetime prediction graphs supplied by LED source manufacturers. Whenever possible, figures use measurements that comply with IES LM-80-08 testing procedures. In accordance with TM-21-11, Reported values represent the interpolated value based on six times the LM-80-08 total test duration (in hours). Calculated values represent time durations that exceed six times the total test duration.

§§ Efficacy measurements are estimated based on the 305 mm (1 ft) measurements.

Dimensions



Photometrics, 305 mm (1 ft), 60° x 30° beam angle

Photometric data is based on test results from an independent NIST traceable testing lab. IES data is available at www.colorkinetics.com/support/ies.

Beam Angle	60° x 30°
LED	RGB
Lumens	411
Efficacy (lm/W)	20.7

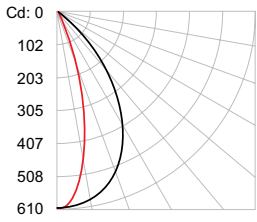


Illuminance at Distance

	Center Beam fc	Beam Width
4 ft	38 fc	5.8 ft 2.1 ft
8 ft	10 fc	11.6 ft 4.2 ft
12 ft	4 fc	17.4 ft 6.3 ft
16 ft	2 fc	23.2 ft 8.4 ft
20 ft	2 fc	29.0 ft 10.6 ft
24 ft	1 fc	34.8 ft 12.7 ft

24 ft (7.3 m)
1 fc maximum distance
 Vert. Spread: 71.9°
 Horiz. Spread: 29.6°

Polar Candela Distribution



Cd: 0	0.0	22.5	45.0	67.5	90.0
102	609	609	609	609	609
203	5	606	599	585	571
305	15	565	512	406	325
407	25	474	353	187	108
508	35	321	180	61	29
610	45	154	66	20	12
	55	51	22	9	7
	65	13	8	5	4
	75	4	3	2	2
	85	2	1	1	0
	90	1	1	0	0

Zonal Lumen

ZONE	LUMENS	%FIXT
0-30	278	67.6
0-40	349	84.8
0-60	401	97.4
0-90	411	100.0
90-120	0	0.0
90-130	0	0.0
90-150	0	0.0
90-180	0	0.0
0-180	411	100.0

For lux multiply fc by 10.7

Coefficients of Utilization - Zonal Cavity Method

Effective Floor Cavity Reflectance: 20%

RC	Effective Floor Cavity Reflectance: 20%											
	80		70		50		30		10			
RW	70	50	30	10	70	50	30	10	50	30	10	0
0	1191	191	191	119	119	111	111	111	106	106	106	102
1	1131	101	108	105	111	108	106	104	104	102	100	97
2	1071	102	98	94	105	100	96	93	97	94	91	89
3	102	95	90	85	99	93	89	85	91	87	83	88
4	96	88	83	78	94	87	82	78	85	80	77	83
5	91	83	77	72	90	82	76	72	80	75	71	78
6	87	77	71	67	85	77	71	67	75	70	66	74
7	82	73	67	62	81	72	66	62	71	66	62	70
8	78	69	63	58	77	68	62	58	67	62	58	66
9	75	65	59	55	74	65	59	55	64	58	55	63
10	71	62	56	52	70	61	56	52	60	55	52	59

Luminaire and Accessories

Use Item Number when ordering in North America

Luminaire

	Item Number	Item 12NC
ColorGraze QLX Powercore RGB, 60° x 30° Beam Angle, 914 mm (3 ft)	123-000079-34	910503703361

Accessories

Inground Enclosure, Outer Box for 914 mm (3 ft) luminaire	120-000190-05	912400133689
Inground Enclosure, Inner Box for 914 mm (3 ft) luminaire	120-000190-04	912400133688
Leader Cable with Terminator, UL/cUL, 3 m (10 ft)	108-000055-03	910503704066
Leader Cable with Terminator, UL/cUL, 15.2 m (50 ft)	108-000055-00	910503703137
Leader Cable with Terminator, CE/PSE, 3 m (10 ft)	108-000055-04	910503704067
Leader Cable with Terminator, CE/PSE, 15.2 m (50 ft)	108-000055-01	910503704064
Jumper Cable, UL/cUL, End-to-End	108-000057-00	910503703139
Jumper Cable, UL/cUL, 305 mm (1 ft)	108-000057-03	910503704076
Jumper Cable, UL/cUL, 1.5 m (5 ft)	108-000057-06	910503704079
Jumper Cable, UL/cUL, 3 m (10 ft)	108-000057-09	910503704082
Jumper Cable, CE/PSE, End-to-End	108-000057-01	910503704074
Jumper Cable, CE/PSE, 305 mm (1 ft)	108-000057-04	910503704077
Jumper Cable, CE/PSE, 1.5 m (5 ft)	108-000057-07	910503704080
Jumper Cable, CE/PSE, 3 m (10 ft)	108-000057-10	910503704083
Glare Shield, 914 mm (3 ft)	120-000081-02	910503700747
Mounting Arm, Short, Gray	120-000201-03	912400135843
Mounting Arm, Medium, Gray	120-000201-04	912400135844
Mounting Arm, Long, Gray	120-000201-05	912400135845
Symmetric Louver, 914 mm (36 in)	120-000202-06	912400135855
Masking Shield, 914 mm (36 in)	120-000203-02	912400135859

Power/Data Supplies

Data Enabler Pro, 3/4 in / 1/2 in NPT (U.S. trade size conduit)	106-000004-00	910503701210
Data Enabler Pro, PG21/PG13 (metric size conduit)	106-000004-01	910503701211

